



SS-1N Express® Lavatory System – SS-Series

- ADA, ANSI, TAS and UFAS Compliant
- Constructed of Vandal-Resistant Terreon® or Terreon®RE Solid Surface Material
- Available in a variety of colors
- Choose from a Terreon Sprayhead or a “Bowl Only” Model with Your Choice of Faucet
- Optional Deck-Mounted Soap Dispensers
- Mount with Optional Surface Bracket by Bradley or In-Wall Carriers by Others

Specifications

Wall-hung single-station fixture designed specifically for high traffic commercial hand washing applications. The preassembled sprayhead module is equipped with an independent streamformer that is served by an infrared sensing module and solenoid valve (Model SS-1N/IRP), an independent battery infrared sensor and battery (Model SS-1N/BIR3), TouchTime® mechanical pushbutton (Model SS-1N/TTPA) or TouchTime piezo switch (SS-1N/TTPB). Standard flow rate of .5 GPM meets industry standards for water conservation, while providing enough water to rinse hands quickly and efficiently. Operating range is 20–80 PSI.

Construction

Bowl and Sprayhead

Constructed of Terreon, a densified solid surface material composed of a bio-based resin, or TerreonRE, a densified solid surface material composed of a bio-based resin and preconsumer recycled granules. Terreon and TerreonRE are resistant to chemicals, stains, burns and impact. Surface damage can be easily repaired with everyday cleansers or fine grit abrasives. Terreon and TerreonRE are certified by Home Innovation Lab to meet CSA B45.5/IAPMO Z124. Terreon and TerreonRE are GREENGUARD® certified as low-emitting materials.

High Impact Polymer Access Panel

The optional high impact polymer access panel offers a softer look with neutral coal color. This unique design curves to the inside of the front apron to maximize vandal resistance and conceal all plumbing. This access panel features a full perimeter integral flange, pre-drilled with 6 mounting locations to help seal against wall imperfections. This material is highly resistant to impact, abrasion and corrosion. This option is not compatible with a sensor-operated soap dispenser.

Stainless Steel Access Panel

The optional stainless steel access panel is constructed of 18 gauge Type 304 stainless steel with a #4 finish and is mounted with (4) ¼”-20 fasteners (supplied by others) into (4) wall anchors (supplied by others). The stainless steel access panel is compatible with a sensor-operated soap dispenser.

Vandal Resistance

The molded sprayhead is bolted securely to the lavatory bowl. The Terreon and TerreonRE bowls are resistant to chemicals, stains, burns and impact. Damage is repairable. The chrome plated brass streamformer and activation mechanism are secured to the unit from inside the sprayhead module. The infrared sensor will automatically shut off water flow after 30–45 seconds if a vandal attempts to trigger constant operation. TouchTime activation is factory set at 15 seconds run time. Optional access panel conceals valves, connections and other optional items below the deck.



U.S. Patent Pending

Code Compliance and Certifications

ANSI Standards

Terreon and TerreonRE are certified by Home Innovation Lab to meet CSA B45.5/IAPMO Z124.

cUPC Approval

Express Lavatory Systems are Uniform Plumbing Code (UPC), International Plumbing Code (IPC) and National Plumbing Code of Canada (NPC) approved through the International Association of Plumbing and Mechanical Officials (IAPMO). Manufactured in compliance with IGC 156, CSA B45 Series (R08) & ASME A112.18.1/CSA B125.1.

This plumbing fixture is designed for hand washing only. It is not Intended to dispense water for human consumption through drinking or for preparation of food or beverages.

Standard product selections contained within this document are third party **CERTIFIED** to NSF/ANSI 372 meeting the Lead-Free content requirement. Any product configured with custom options will be **COMPLIANT** with NSF/ANSI 372 meeting the Lead-Free content requirement.

Mounting

The Express SS-1N is designed to mount at different heights (adult and children) to comply with guidelines on reaches, clearances and operation for various codes including, ADA Accessibility Guidelines for Buildings and Facilities (ADAAG) and TAS (Texas Accessibility Standards). Always check your local and state codes. The SS-1N can be supported by a surface-mounted bracket supplied by Bradley or in-wall carriers supplied by others. The surface-mounted bracket is constructed of 1” square structural tubing and is zinc-plated mild steel. The surface-mounted bracket also includes a locking device and leveling screws.



**Standard Equipment**

Models SS-1N/IRP, SS-1N/TTPA and SS-1N/TTPB include bowl, a 120VAC/12VDC plug-in adapter, flexible stainless steel supply connection, P-trap, grid strainer and tailpiece. Battery included in SS-1N/BIR3 only. The SS-1N (bowl only) includes P-trap, grid strainer and tailpiece.

Optional Equipment

The SS-1N is available less solid surface sprayhead as a bowl-only unit drilled for 4" and 8" centerset or centershank faucet options. Equip with your choice of Bradley faucets or a faucet by others. The various SS-1N models can be equipped with a deck-mounted soap dispenser. Optional access panels and optional surface-mounted brackets are also available.

Sensor-Operated Soap Dispenser

The optional sensor-operated soap dispenser (6315) is available on all SS-1N units. The soap dispenser features reliable infrared metering activation and LED indicators for Low Battery / Low Soap Refill (soap not included). The dispenser is powered by (4) "D"-cell batteries (not included). 27-oz. (1000-shot) and 54-oz. (2000-shot) soap bottles are available from Bradley for use with the sensor operated soap dispenser. Sensor operated soap dispenser (6315) is compatible with the stainless steel access panel only.

Activation Types**Infrared (Model SS-1N/IRP)**

The streamformer is controlled by a slow-closing solenoid valve. Hands placed within the bowl are detected by an infrared sensor module, which activates a flow of tempered water to the streamformer. Shutoff is automatic after hands are removed from the detection area. The infrared sensor uses a conical shaped transmitting beam, having a detection area adapted to, but not exceeding, the bowl perimeter. The detection area projects forward 15° to each side and 15° below horizontal. The infrared sensor automatically adapts to the bowl after power is turned on. The infrared sensor is not affected by varying color tones or darkness. Direct sunlight or bright washroom lights will not activate the system. Includes solenoid valve and a low voltage plug-in adapter as standard equipment:

- Solenoid - 12VDC, 3/8" NPT. Few moving parts, and resistant to most chemicals, minerals, and impurities often present in municipal water supplies.
- Low Voltage Plug-In Adapter - UL/CSA listed, 120VAC/12VDC plug-in adapter. Plugs into a standard GFCI-protected electrical outlet.

TouchTime (Model SS-1N/TTPA and Model SS-1N/TTPB)

The low voltage mechanical push button or piezo switch activates a non-hold-open, slow closing anti-hammer solenoid valve that is timed from an electronic potted assembly. The push button activates one valve, which, in turn, activates water flow. TouchTime controls water flow through the use of solid state, digital circuitry. Timing is factory set at a 15 second run time, but is field adjustable to pre-set timeout periods and optional auto-flush function. The 24 hours flush function will activate flow for a period of 60 seconds any time there has been no activation within the past 24 hours. Push button requires less than five pounds of pressure.

Battery Infrared (Model SS-1N/BIR3)

The battery-powered sensor uses a zone-focused infrared transmitting beam, creating a large detection area not exceeding the bowl perimeter. The sensor is not affected by varying skin tones or darkness. When hands enter the detection area, the sensor starts water flow by opening the valve electronically. When hands leave the detection area, the sensor stops the flow of water by closing the electronically activated solenoid valve. The 6-volt DC, electronically activated solenoid valve has few moving parts providing reliable operation which is unaffected by most chemicals and minerals often present in municipal water supplies. The station is powered by a single lithium battery. Battery type is Duracell® DL 223A 6-volt lithium or equivalent (batteries included) with a life expectancy of 4–5 years or approximately 200,000 cycles.

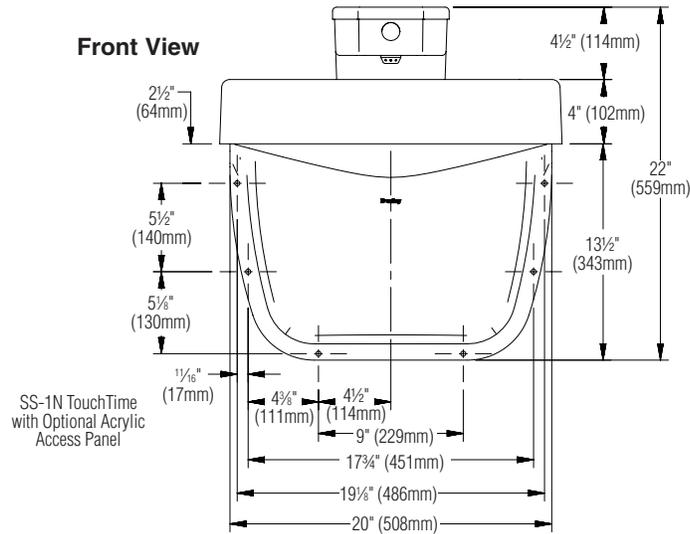
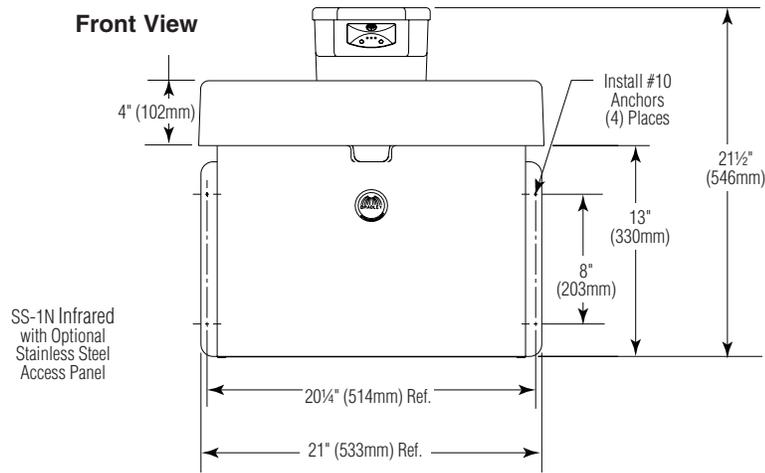
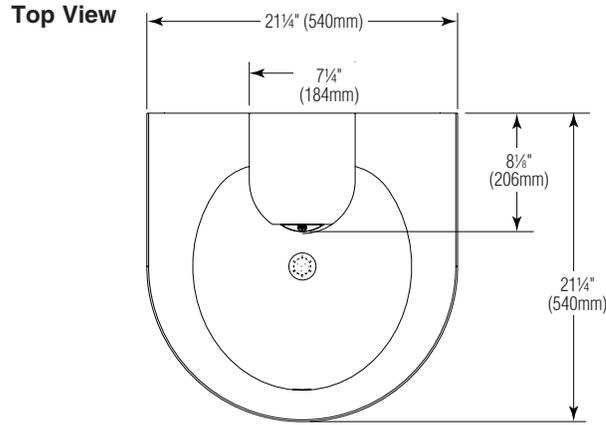
Flow Control Rate

Operating range 20–80 psi. Flow restrictor keeps flow rate constant at all pressures. Flow rate: 0.5 GPM.

For more information on faucets, valves, transformers, cabinets and soap dispensers, visit bradleycorp.com.

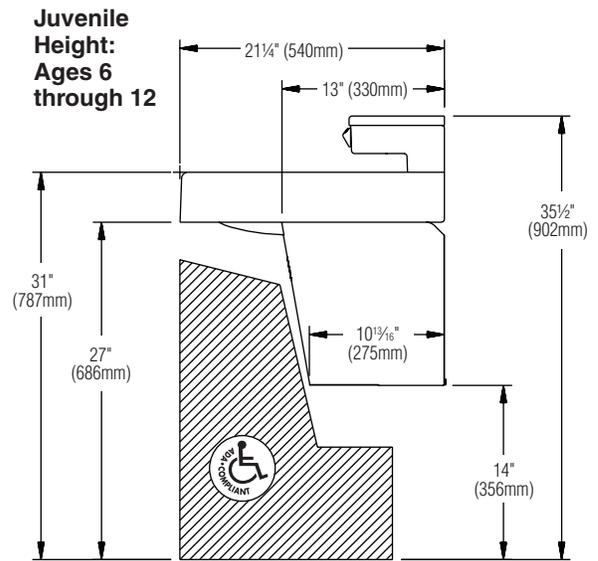
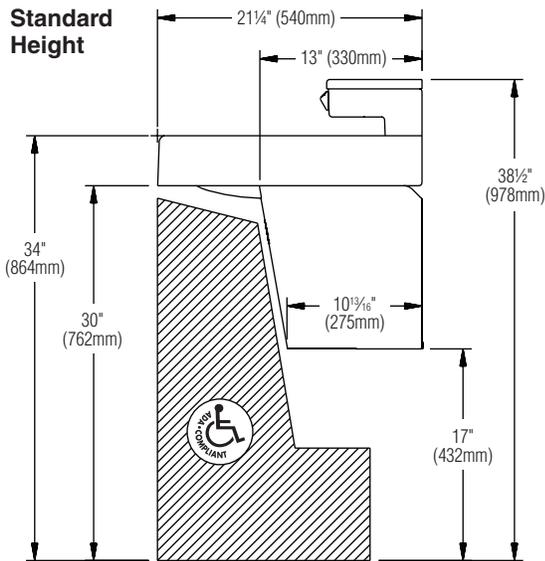


SS-1N Express® Lavatory System – SS-Series

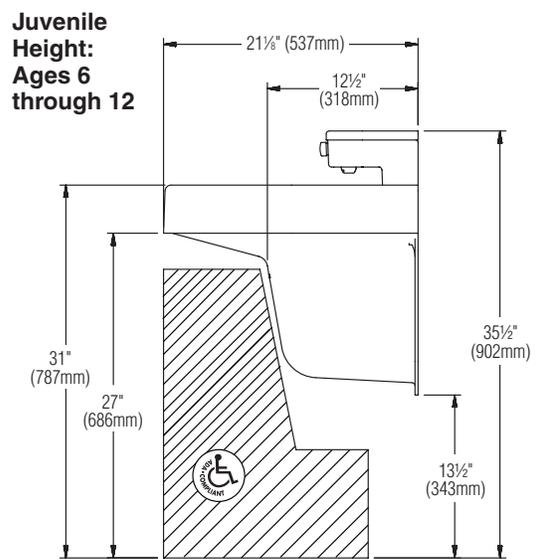
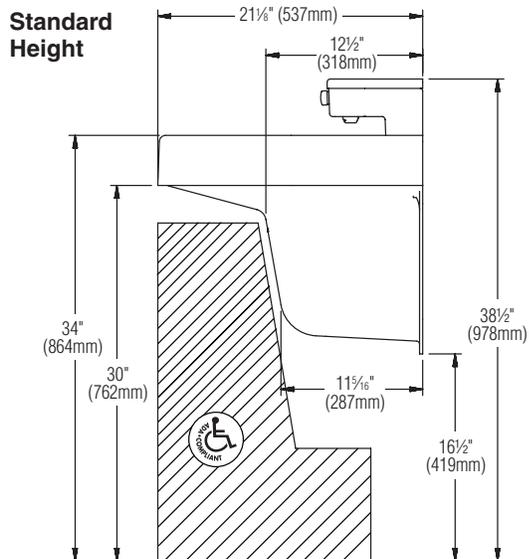




Stainless Steel Access Panel



High Impact Polymer Access Panel





SS-1N – Rough-in

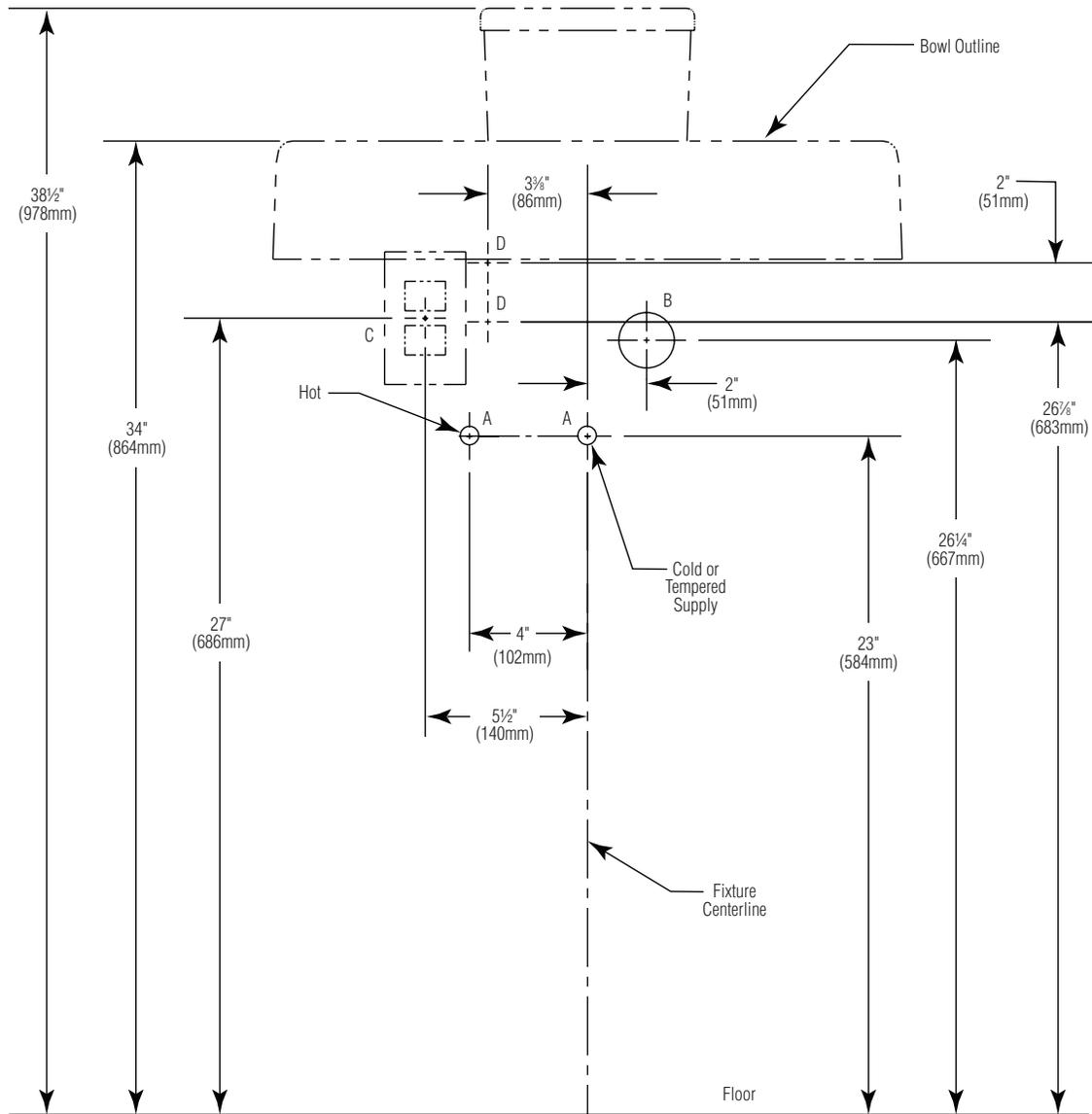


Chart 1

Rim Height	Vertical Height Adjustments A – E	Fixture Style
34"	None	Standard Height
34"	None	Wall-Hung
32"	Subtract 2"	TAS, Grades 6 through 8 or 9
31"	Subtract 3"	Juvenile Height
30"	Subtract 4"	TAS, Pre-K through Grades 5 or 6

Chart 2

Code	Description	Qty.
A	1/2" Nominal Copper Tubing for Hot and Cold Supplies, Stub-Out 2" from Wall	2
B	1 1/2" NPT Drain, Stub-Out 2" from Wall	1
C	110V GFCI Protected Electrical Outlet, I.R. and TouchTime Only	1
D	#10 Fasteners/Wall Anchors, Optional	2



Standard Selections (Must select one from each category)			
Activation Type			
<input type="checkbox"/> IRP	Infrared		
<input type="checkbox"/> BIR3	Battery Infrared		
<input type="checkbox"/> TTPA	TouchTime Pushbutton		
<input type="checkbox"/> TTPB	TouchTime Piezo Switch		
<input type="checkbox"/> 4" SET	4" Centerset Drilling (1-1/4" Drilling Only)		
<input type="checkbox"/> 8" SET	8" Centerset Drilling Only (1-1/4" Drilling Only)		
<input type="checkbox"/> SHANK	Centershank Drilling Only (1-1/4" Drilling Only)		
<input type="checkbox"/> NFD	No Faucet Drilling		
Soap Dispenser Type (select one)			
<input type="checkbox"/> 6322	16-oz Plastic Globe, 2½" Spout		
<input type="checkbox"/> 6322-68	32-oz Plastic Globe, 2½" Spout		
<input type="checkbox"/> 6315	Sensor-Operated Soap Dispenser (see below for soap options)		
<input type="checkbox"/> SDO	None-Soap Drilling Only - Dispenser By Others		
<input type="checkbox"/> NSD	None-No Soap Dispenser		
For 6315 Dispenser must order as separate line items			
<input type="checkbox"/> P19-232B	1000-Shot or 27-oz Lotion Soap with Moisturizer (Case of 4 Bottles)		
<input type="checkbox"/> P19-232A	2000-Shot or 54-oz Lotion Soap with Moisturizer (Case of 4 Bottles)		
<input type="checkbox"/> P19-231F	Plug-In Adapter – 6315 Soap Dispenser		
Water Supply Type (select one)			
<input type="checkbox"/> TMA	Navigator® Thermostatic Mixing Assembly (Hot and Cold Supplies)		
<input type="checkbox"/> TL	Single Tempered Line		
<input type="checkbox"/> NONE	No Valve Option Selected - Supply Hoses and Shut-Offs by Others***		
Color of Terreon Bowl/Sprayhead Cover (select one)			
<i>Standard Colors</i>			
<input type="checkbox"/> CHAR	Charcoal Gray	<input type="checkbox"/> O-TAUPE	Organic Taupe
<input type="checkbox"/> COBBLE	Cobblestone	<input type="checkbox"/> PEBBLE	Pebble Beach
<input type="checkbox"/> DRIFT	Driftwood †	<input type="checkbox"/> PEP-WHT	Peppered White
<input type="checkbox"/> DUNE	Sand Dune †	<input type="checkbox"/> SAND	Sandtrap
<input type="checkbox"/> E-GRAY	Empire Gray	<input type="checkbox"/> S-CREEK	Stone Creek
<input type="checkbox"/> GRAPH	Graphite	<input type="checkbox"/> S-MIST	Silver Mist
<input type="checkbox"/> LANNON	Lannonstone	<input type="checkbox"/> WHT-SAND	White Sand
<input type="checkbox"/> LONDON	London Gray		
<input type="checkbox"/> MOONSTONE	Moonstone †		
<i>Designer Colors* (available at an additional charge)</i>			
<input type="checkbox"/> ARC-CHIP	Arctic Chip	<input type="checkbox"/> COFFEE	Coffee Bean
<input type="checkbox"/> RIVER	Riverstone		
<i>TerreonRE Colors* (available at an additional charge)</i>			
<input type="checkbox"/> BIRCH-BARK	Birch Bark	<input type="checkbox"/> MOONDUST	Moondust
<input type="checkbox"/> DUSK	Dusk	<input type="checkbox"/> OAT	Oat

Optional Selections	
Access Panel Type (select one)	
<input type="checkbox"/> COAL	Coal High Impact Polymer Access Panel ‡**
<input type="checkbox"/> STEEL	Stainless Steel Access Panel
Mounting Type	
<input type="checkbox"/> BRKT	Surface-Mounted Bracket (Instead of carrier by others)
<input type="checkbox"/> NONE	No Bracket
Waste Assembly Type	
<input type="checkbox"/> S-CHROME	Single Chrome-Plated P-Trap
<input type="checkbox"/> S-POLY	Single Polypropylene P-Trap

*Non-cancelable, non-returnable

† This color contains large, randomly distributed chips.

‡ Not compatible with a sensor-operated soap dispenser.

** Only available with BRKT mounting option.

*** Available with 4" SET, 8" SET, SHANK and NFD options only.