



LD-3010 OmniDeck™ – 3000 Series

- Bowl(s) and Deck are constructed of Terreon® or Terreon®RE Solid Surface Material
- Decks are Pre-fabricated; Shipped Complete to the Job Site
- Custom and Standard Sizes Available
- ADA and ANSI Compliant
- Coved Backsplash and Integral Front Apron Eliminate Caulk Lines
- Integral bowl options create seamless look

Specifications

The OmniDeck Model LD-3010 can accommodate one or more users. Model LD-3010 OmniDecks feature a Terreon solid surface deck with optional integral oval or rectangular bowl(s). The OmniDeck comes equipped with drillings for either 4" centerset, 8" centerset or centershank faucet drillings, or can be equipped with optional deck-mount faucets. Optional aprons, splashes, mounting brackets, single-station access panel and deck mounted soap dispensers are also available to round out the total package.

Construction

Deck

Constructed of ½" thick Terreon, a densified solid surface material composed of polyester resin or TerreonRE, a densified solid surface material composed of a bio-based resin and preconsumer recycled granules. Terreon and TerreonRE are resistant to chemicals, stains, burns and impact. Surface damage can be easily repaired with everyday cleansers or fine grit abrasives. Terreon and TerreonRE are certified by Home Innovation Lab to meet CSA B45.5/IAPMO Z124. Terreon and TerreonRE are GREENGUARD® certified as low-emitting materials.

Terreon Bowls

Basin Model	Dims.	Depth*	Molded Overflow	Strainer Size**	Drain Size**
SL Series					
SL-T01	16" x 13"	5½"			
SL-TR1	17" x 14"	5⅞"	Yes	2¾" Ø	1¼"
HS Series					
HS-T01	22" x 14"	5⅝"			
HS-TS1	14" x 14"	5⅝"			
HS-TR1	22" x 16"	5⅝"	No	4¼" Ø	1½"

* From top of deck to top of strainer

** When specified with drain assembly (D-ASSY)

The SL-TR1 includes an attractive 30° beveled edge transition to the deck.

Mounting Options

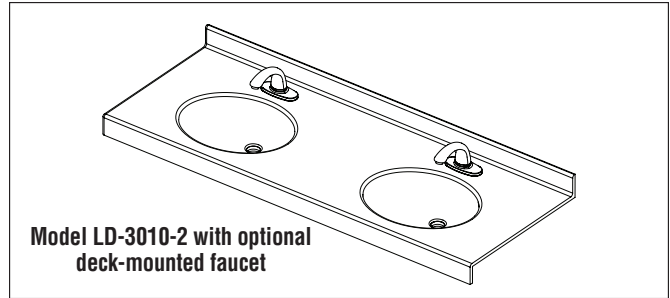
OmniDecks are designed for a variety of mounting options which include Terreon carrier sleeves (concealed arm carriers by others), 12 gauge stainless steel mounting brackets (to allow for easy install and future removal of deck) or traditional wall cleating (by others). These mounting options eliminate the need for casework options beneath the deck. Bracket or sleeve quantity is dependent on deck length. 2" to 45" = 2 brackets, 45.25" to 75" = 3 brackets, 75.25" to 105" = 4 brackets and 105.25" to 120" = 5 brackets

Verify all rough-in dimensions prior to installation. Consult local and national codes. Conformity and compliance to local and national codes is the responsibility of the installer.

Page 1 of 7 5/1/2018

This information is subject to change without notice.

Bradley_Sink_OmniDeck_LD-3010



Access Panel Option

The Single-Station Access Panel is constructed of stainless steel with a #4 finish and is mounted with ¼"-20 fasteners (supplied by others) into wall anchors (supplied by others). In order to allow for easy access to soap cartridges, the soap is not concealed by the SL-TR1 and HS-Series access panels. The SL-T01 access panel does conceal the soap.

Seaming

Seaming is required and included as standard for OmniDecks with a total length over 120". When ordering and quoting, Bradley will show a representation of the overall deck length with the segment lengths and recommended seaming locations. Seaming is the process of joining two or more solid surface segments together with an inconspicuous seam. Available from Bradley, adhesive seam kits are required for internal seams and are made to match any Terreon color. Optional seaming selections (SEAM-L and SEAM-R) are to be ordered for replacement deck segments.

Code Compliance and Certifications

ANSI Standards

Terreon and TerreonRE are Home Innovation Lab Certified to meet CSA B45.5/IAPMO Z124.

National and International Plumbing Approval

OmniDecks are Uniform Plumbing Code (UPC), International Plumbing Code (IPC) and National Plumbing Code of Canada approved through the International Association of Plumbing and Mechanical Officials (IAPMO). Manufactured in compliance with IGC 156-2012el, CSA B45 Series-2002 (R2013) & ASME A112.18.1-2012/CSA B125.1-12.

ADA Height Mounting

To comply with ADA, the rim height of the LD-3010 OmniDeck, and at least one bowl, must be 34" maximum (31" maximum for Juvenile ADA) above the finished floor and must have proper reach, knee and toe clearances. Always review local codes for compliance.

- This plumbing fixture is designed for hand washing only. It is not Intended to dispense water for human consumption through drinking or for preparation of food or beverages.
- Standard product selections contained within this document are third party **CERTIFIED** to NSF/ANSI 372 meeting the Lead-Free content requirement. Any product configured with custom options will be **COMPLIANT** with NSF/ANSI 372 meeting the Lead-Free content requirement.



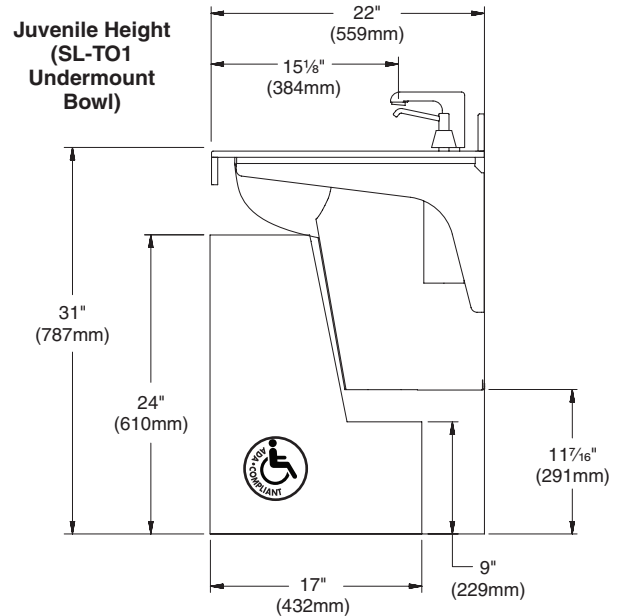
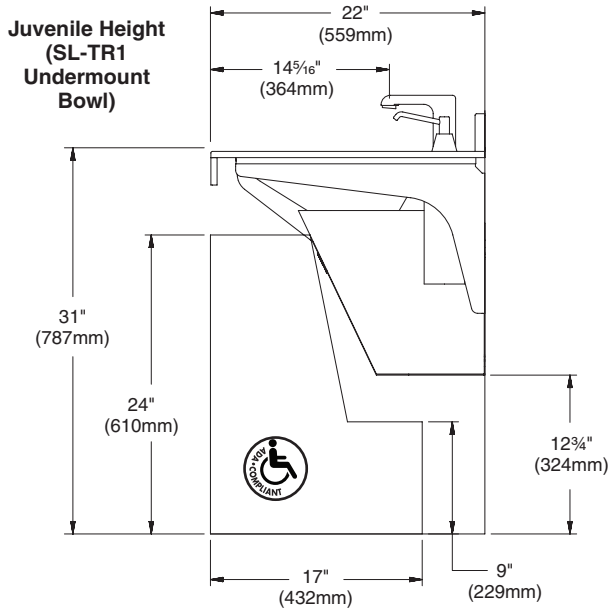
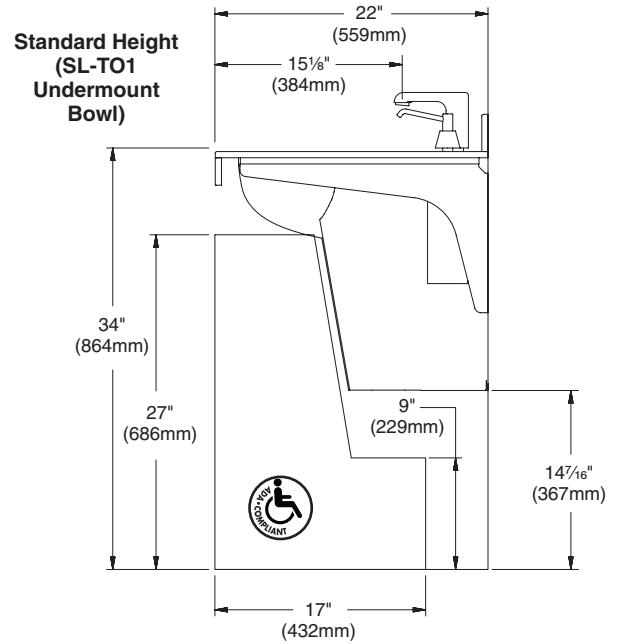
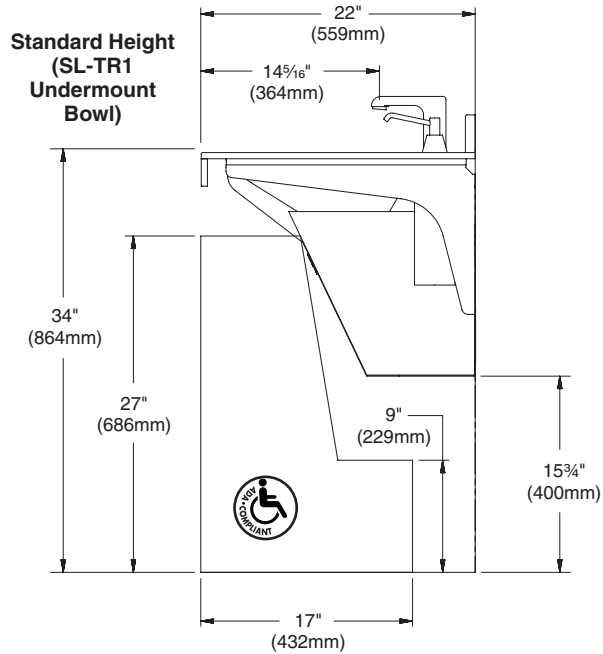
© 2018 Bradley
P.O. Box 309, Menomonee Falls, WI 53052-0309
800 BRADLEY (800 272 3539) +1 262 251 6000
bradleycorp.com



LD-3010 OmniDeck™ – 3000 Series

LD-3010 Dimensions (Side View)

Surface mount brackets shown. Also available with carrier sleeves for concealed in wall carriers.



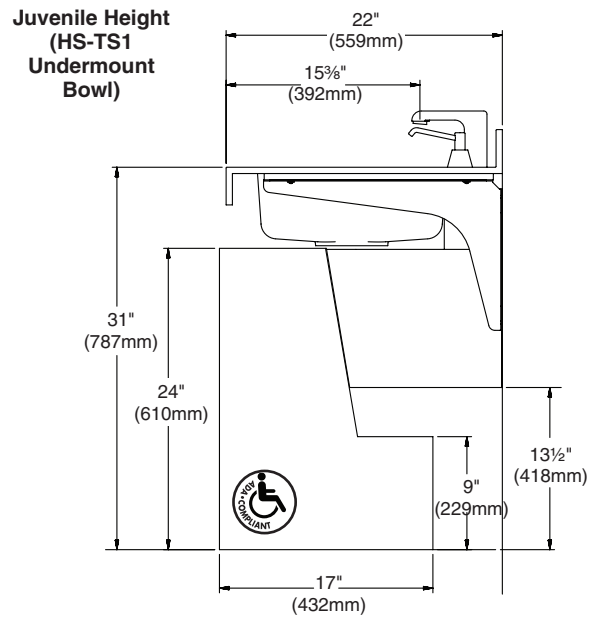
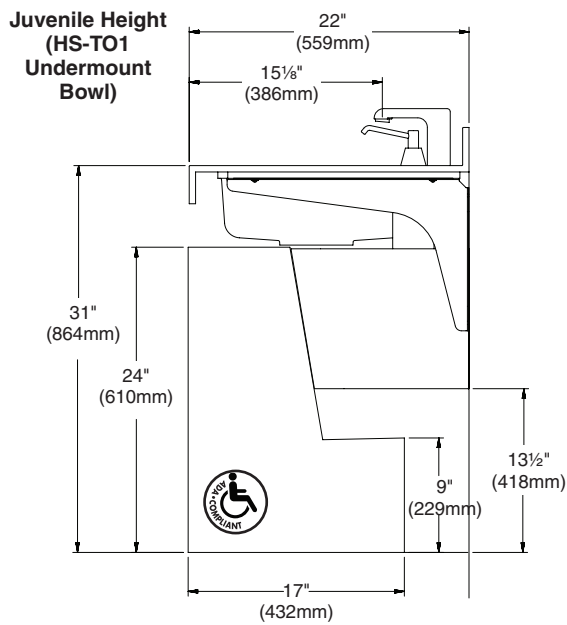
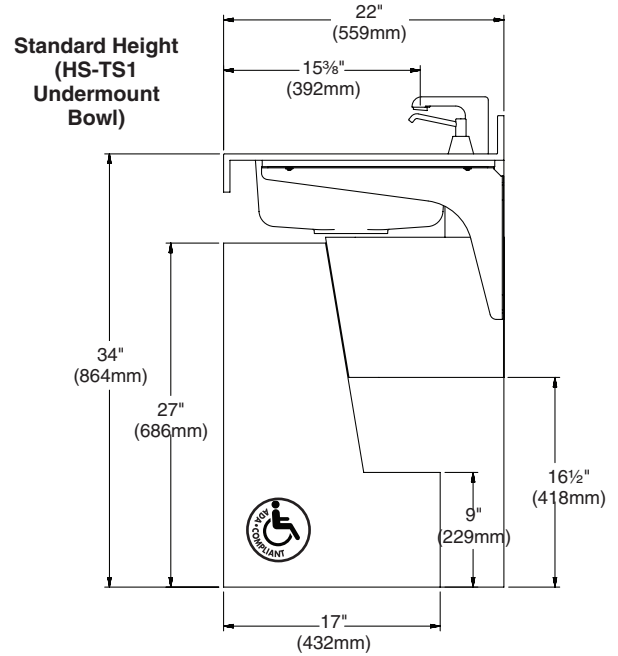
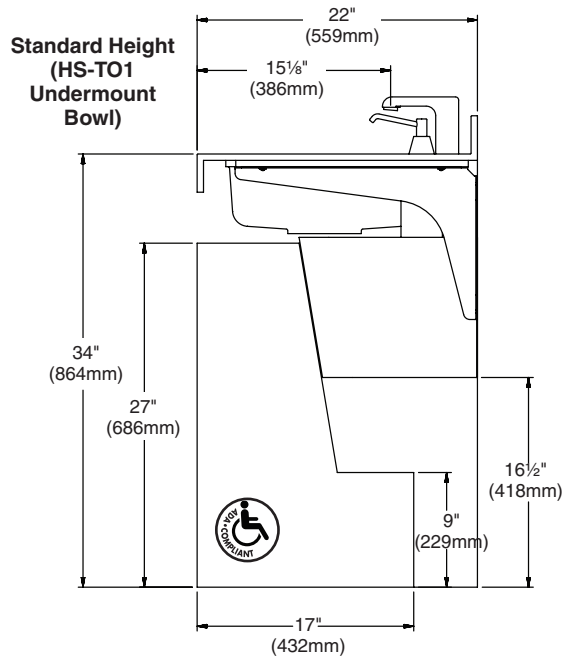
Verify all rough-in dimensions prior to installation. Consult local and national codes. Conformity and compliance to local and national codes is the responsibility of the installer.



LD-3010 OmniDeck™ – 3000 Series

LD-3010 Dimensions (Side View)

Surface mount brackets shown. Also available with carrier sleeves for concealed in wall carriers.

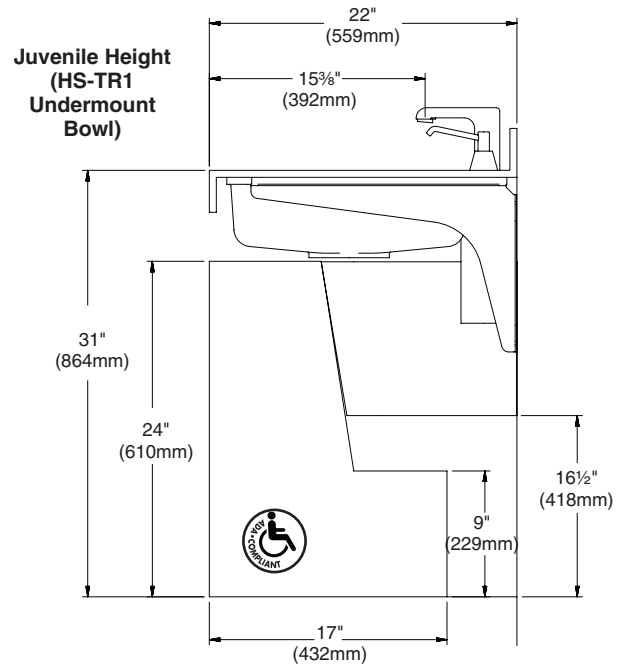
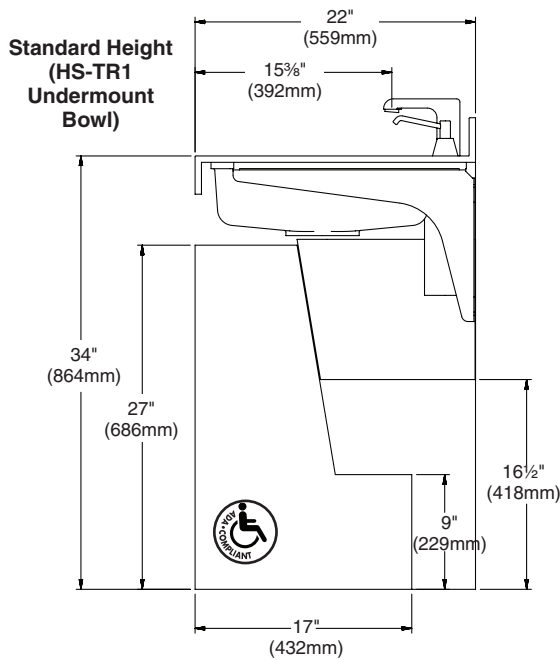


Verify all rough-in dimensions prior to installation.
Consult local and national codes. Conformity and compliance to local and national codes is the responsibility of the installer.



LD-3010 Dimensions (Side View)

Surface mount brackets shown. Also available with carrier sleeves for concealed in wall carriers.



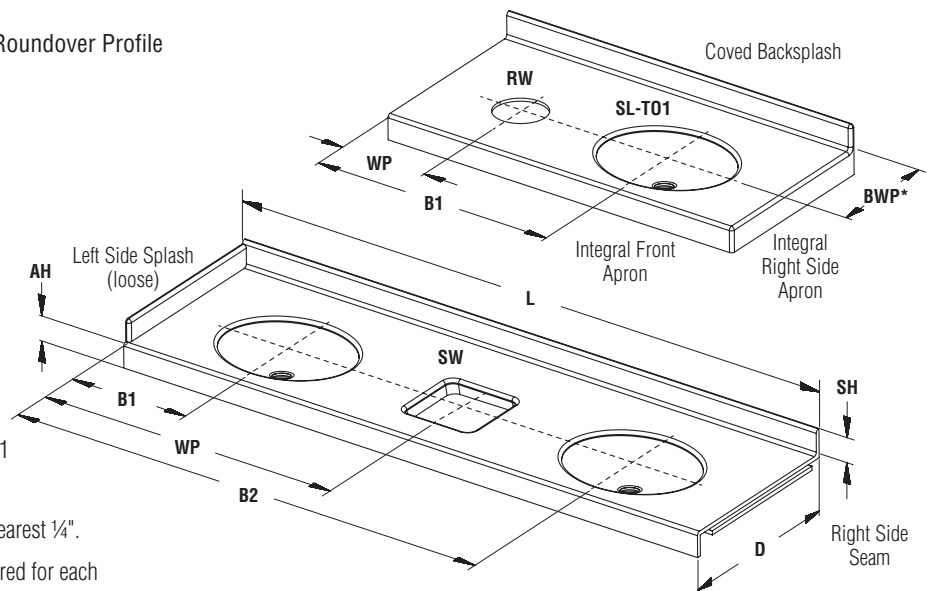
LD-3010 Deck and Bowl Details

Sample Configurations shown with Roundover Profile

Key	Description
L	Length of Deck
D	Depth of Deck
B1	Bowl #1 Placement
B2	Bowl #2 Placement
BWP*	Bowl and Waste Position
WP	Waste Placement (centered with bowl position)
SH	Splash Height
AH	Apron Height

* BWP default dimensions is 13" for SL-T01 bowl option. 12" for all other bowl options.

- Dimensions must be specified to the nearest 1/4".
- A separate tech data document is required for each deck. Decks over 120" are seamed in the field.

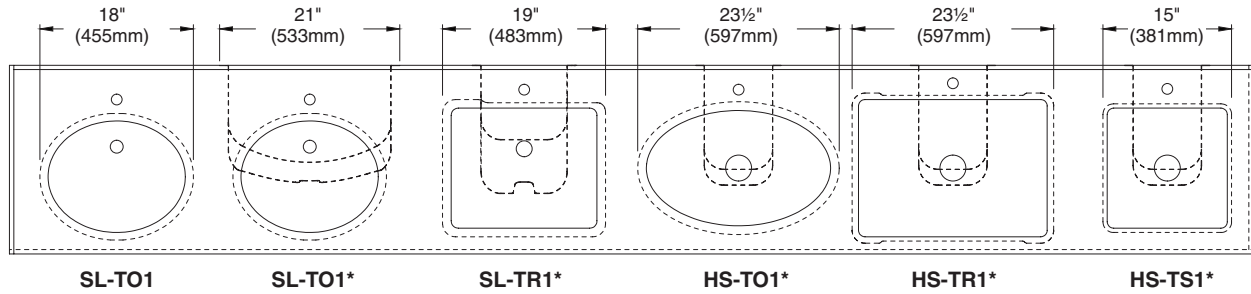


Verify all rough-in dimensions prior to installation.
Consult local and national codes. Conformity and compliance to local and national codes is the responsibility of the installer.

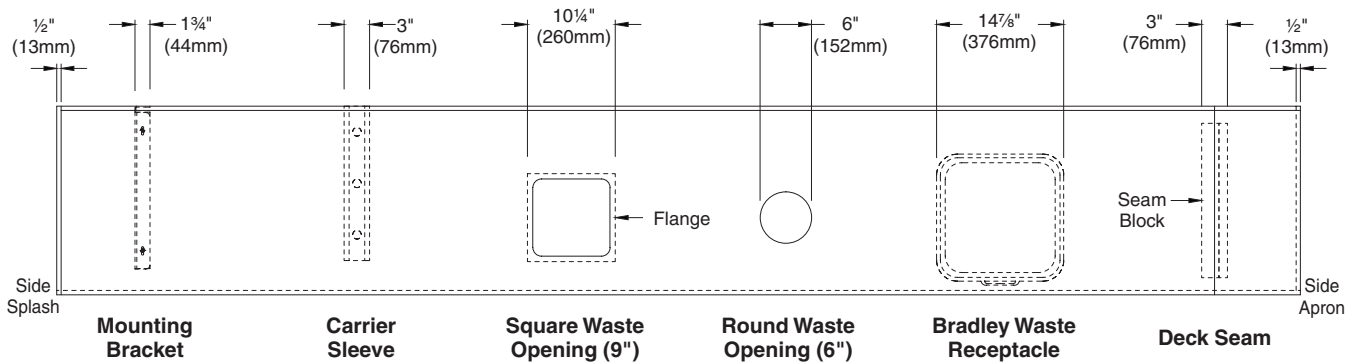


LD-3010 Product Option Component Clearance

Use these drawings as a guideline to ensure your deck length can accommodate your option configuration.



*Shown with trap cover



Verify all rough-in dimensions prior to installation. Consult local and national codes. Conformity and compliance to local and national codes is the responsibility of the installer.



Standard Selections (Must select one from each category)

- All OmniDecks are non-cancelable and non-returnable.
Submittal drawings not required for product configured to technical data options but available upon request.

Model

LD-3010 OmniDeck 3000 Series

Configuration Type

NOTE: Changes to predetermined dimensions require custom unit.

STD Standard CST Custom

Deck Configuration

Deck Length (L)

30.00 30" (Standard) 120.00 120" (Standard)
60.00 60" (Standard) CST Custom
90.00 90" (Standard) (must be at least 12" but not exceed 450")**

Deck Depth (D)

22.00 22" Standard (minimum)
CST Custom (must be between 22.25" and 25" if bowl option is selected)

Bowl Configuration

Bowl Type

SL-T01 SL Oval Integral Undermount
SL-TR1 SL Rectangular Integral Undermount
HS-T01 HS Oval Integral Undermount
HS-TS1 HS Square Integral Undermount
HS-TR1 HS Rectangular Integral Undermount
NONE No Bowl (Custom)

Bowl Quantity*

1 One Bowl 2 Two Bowls
3 Three Bowls 4 Four Bowls
CST Custom (10 max)

Color of Terreon Bowl

ALP-WHT Alpine White LONDON London Gray
BONE Mesa Bone O-TAUPE Organic Taupe
DS-WHT Designer White NONE No Bowl
SAME Same as Deck (Requires Tempered Water)

Waste Receptacle Configuration (available with CST length only)

Waste Opening Type

SW 9" Square w/Flange RW 6" Round; no Flange
RWC 6" Round w/Stn. Steel Chute

Waste Opening Quantity*

1 One Opening CST Custom (10 max)
2 Two Openings NONE No Opening
3 Three Openings

Waste Receptacle Type

WR 377-363700 (21 Gallon Capacity Waste Receptacle) ▲
NONE No Receptacle

NOTE: Waste receptacles are only available on units with a 34" rim height and 4" or less front apron.

Bowl/Waste Receptacle Placement

Type***

STD Standard Placement (evenly distributed on deck)
CST Custom Placement

Verify all rough-in dimensions prior to installation.
Consult local and national codes. Conformity and compliance to local and national codes is the responsibility of the installer.

General Options

Edge Style Type

EE Ease Edge
RO 3/8" Radius Roundover
NOTE: Sidesplashes sit lower than the backsplash when RO option is selected. If wall is to be tiled after deck installation, EE option is recommended.

Backsplash Type (greater than 5" is shipped loose)

BS Backsplash NBS No Backsplash

Front Apron Type

FA Front Apron NFA No Front Apron

Left Side Type

LSS Left Side Splash**** SEAM-L Side Seam (typically ordered with replacement decks only)
LSA Left Side Apron
NONE No Left Side Option

Right Side Type

RSS Right Side Splash**** SEAM-R Side Seam (typically ordered with replacement decks only)
RSA Right Side Apron
NONE No Right Side Option

Splash Height

3 3" Standard CST Custom (14" max)

Apron Height

3 3" Standard CST Custom (14" max)

NOTE: Aprons 5" to 10" are reinforced with gussets. Apron heights over 10" ship loose and installer will be responsible for attaching and supporting to the deck.

Apron Gusset Type: (required with custom apron heights 5" to 10")

GUSSET Apron Gusset

*Combination of bowl quantity and waste quantity may not exceed 14.

**Decks exceeding 120" will consist of multiple deck segments.

***Due to space limitations, waste openings cannot be placed in-between standard bowl placements.

****Side splash ships loose.

◇ Bracket or sleeve quantity is dependent on deck length. 2" to 45" = 2 brackets, 45.25" to 75" = 3 brackets, 75.25" to 105" = 4 brackets and 105.25" to 120" = 5 brackets

† This color contains large, randomly distributed chips.

△ Not available with Bowl Type NONE

▲ Not available with Waste Opening Type NONE

+ All seams require a seaming kit.

