

- Specify color _____
(See color chart in back of catalog)
- Model 2028 — Recessed
- Model 2028-10 — Semi-Recessed
(recesses 2½"; projects 1⅞")
- Model 2028-11 — Surface-Mounted
(projects 4⅜")
- Accent Series — Color Laminate

Product Materials

CABINET: 22 gauge stainless steel with exposed surfaces in architectural satin finish. Welded construction with seamless corners and burr-free edges.

DOOR: ⅝" thick solid laminate, made of colored Melamine bonded under high pressure to a phenolic core. All exposed edges are machined smooth to a uniform dark finish. Attached to cabinet with full length, heavy duty stainless steel piano hinge. Equipped with two latches.

TOWEL DISPENSER: 22 gauge stainless steel. Rolled edge on dispenser opening.

WASTE RECEPTACLE INSERT: leakproof molded plastic.

Capacity

Towel Dispenser — 800 multi-fold or 600 C-fold paper towels. Waste Receptacle Insert — 3.3 gal. (.44 cu. ft.)

Operation

Towel dispenser holds multi-fold or C-fold towels without use of special adaptor. Waste receptacle insert removable by opening cabinet door.

Installation

Verify all rough-in dimensions prior to installation. Recessed unit requires rough wall opening 11¾"W x 53⅝"H x 4⅝"D (Semi-recessed unit only 2½" deep). Secure to framing with mounting screws (included) at holes provided. Shim at screw points as required. Surface-mounted units must have holes drilled by installer.

Guide Specification

Recessed combination towel dispenser and waste receptacle shall be fabricated of heavy gauge stainless steel with exposed surfaces in satin finish. Cabinet door of ⅝" thick solid laminate with full length piano hinge and secured by two latches. Towel dispenser capacity 800 multi-fold or 600 C-fold towels. Removable 3.3 gal. leakproof molded plastic insert for waste receptacle.

Overall dimensions: 13"W x 55"H x 4⅝"D.



DISCONTINUED

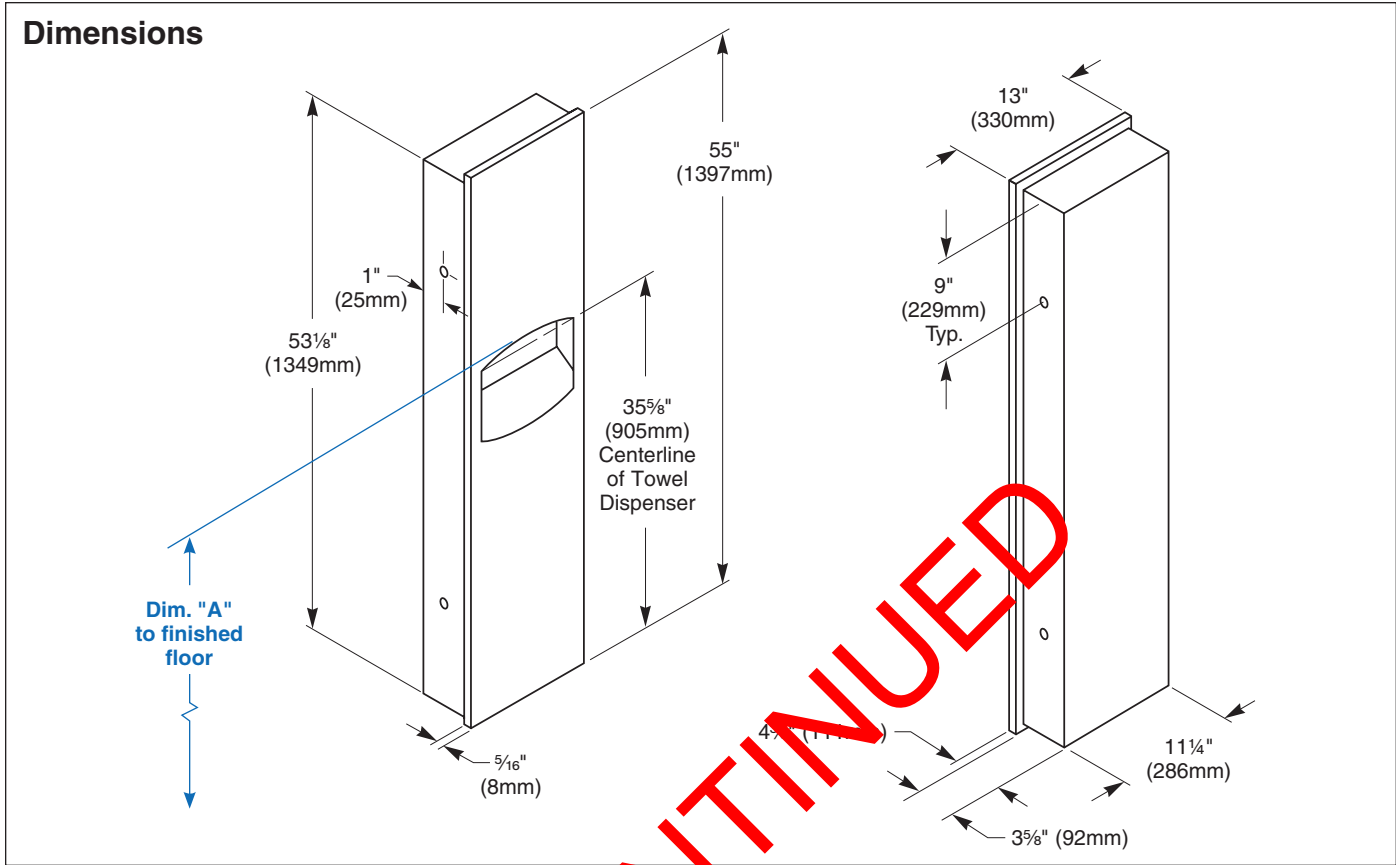
Optional Features

Feature	Suffix
<input type="checkbox"/> Two (2) tumbler locks	-15

ADA Compliant

- Consult local and national accessibility codes for proper installation guidelines.
- Conformity and compliance to local and national codes is the responsibility of the installer.

Washroom Accessories
Document No. 8060



Dim. "A" Key Surface:	For Dim. "A"	Top of Rough Wall Opening	Bottom of Rough Wall Opening
Paper towel top of opening to finished floor	48" (1219mm)	66 1/4" (1683mm)	12 5/8" (321mm)
	45" (1143mm)	63 1/4" (1607mm)	9 5/8" (244mm)
	42" (1067mm)	60 1/4" (1530mm)	6 5/8" (168mm)
	40" (1016mm)	58 1/4" (1480mm)	4 5/8" (117mm)
Rough wall opening:			
Surface Mount:	No rough opening, see overall dimensions		
Recessed:	11 1/4" (299mm) Wide x 53 5/8" (1363mm) High x 4 3/8" (112mm) Deep		
Semi-recessed:	11 1/4" (299mm) Wide x 53 5/8" (1363mm) High x 2 1/2" (64mm) Deep		

**Washroom Accessories
Document No. 8060**