



Terreon® 36" Circular, 7-1/2" Deep Bowl Washfountain

- cUPC Certified
- ADA and TAS Compliant
- Suitable for Heavy Duty Hand Washing
- Reliable Air, TouchTime® or Infrared
- Vandal Resistant – Easy to Clean
- Three Different Heights (Including Juvenile and Intermediate Heights)

Specifications

Size and Capacity

Accommodates up to five users at a time, using less water, energy and space than lavs equipped with conventional faucets. The Classic Sprayhead (non-sectional) is controlled by an infrared sensor, electronic pushbutton or piezo switch or air activated pushbutton. The operating range is 20-80 PSI.

Construction

Bowl Materials

Constructed of Terreon®, a densified solid surface material composed of bio-based resin, or Terreon®RE, a densified solid surface material composed of a bio-based resin and preconsumer recycled granules. Terreon and TerreonRE are resistant to chemicals, stains, burns and impact. Surface damage can be easily repaired with everyday cleansers or fine grit abrasives. Terreon and TerreonRE are Home Innovation Lab certified to meet CSA B45.5/IAPMO Z124. Terreon and TerreonRE are GREENGUARD® certified as low-emitting materials.

Trap Enclosure/Pedestal

The elliptical, tapered pedestal is fabricated from reinforced, gel-coated fiberglass with a stainless steel trim piece or kick plate to prevent damage. A large access panel is provided for ease of installation and maintenance.

Vandal Resistance

The infrared sensors, pushbuttons or switches are secured to the unit from inside a heavy gauge stainless steel module to prevent tampering. If a vandal attempts to trigger constant operation by covering the sensor or placing a stationary object in the sensor's detection area, the adaptive infrared sensor will automatically shut off the water flow after 30 seconds. All valves, water supplies and waste connections are concealed inside the pedestal/trap enclosure. The Terreon and TerreonRE bowls are resistant to stains, burns and impact; surface damage is easily repaired and repair work is virtually undetectable.

Standard Equipment

Valves and Fittings

In addition to the bowl and pedestal, the following valves and fittings are standard: sprayhead with stainless steel support tube and bowl gasket; drain and tailpiece with strainer; sprayhead supply tubing; Navigator® thermostatic mixing valve; flexible stainless steel supply hoses; stops, and adjustable volume control valve.

Activation Controls

Infrared

Hands placed within the bowl are detected by an infrared sensor module which activates a flow of tempered water from the classic non-sectional sprayhead. Shut-off is automatic after hands are removed from the detection area. The infrared sensor uses a conical-shaped transmitting beam, having a detection area adapted to, but not exceeding, the bowl perimeter. The infrared sensor automatically adapts to the bowl after power is turned on. The infrared sensor is not affected by varying color tones or darkness. Direct sunlight or bright washroom lights will not activate the system. Infrared models also include solenoid valves and a 12V plug-in adapter as standard equipment:

- Solenoid – 12VDC, 3/8" NPT. Few moving parts, and resistant to most chemicals, minerals, and impurities often present in municipal water supplies.
- Low-Voltage Adapter – A UL/CSA listed 120VAC/12VDC plug-in adapter plugs into a standard GFCI protected electrical outlet. Location of transformer per local electrical code.



TouchTime

Each low-voltage mechanical pushbutton or piezo switch actuates a non-hold-open, slow-closing anti-hammer solenoid valve that is timed from an electronic potted assembly. Each push button activates a flow of tempered water from the classic non-sectional sprayhead. TouchTime controls water flow through the use of solid state, digital circuitry. Timing is factory set at 12 second run time but is field adjustable to pre-set timeout periods and optional auto-flush function. The 24 hour flush function will activate water flow for a period of 60 seconds any time there has been no activation within the past 24 hours. Push button and piezo switch requires less than five pounds of pressure.

Air

Each push button pneumatically actuates a non-hold-open, air metering, single-temperature valve with field adjustable timing from 0–45 seconds. Factory preset at 12 seconds. Each pushbutton activates a flow of tempered water from the classic non-sectional sprayhead. Push button requires less than five pounds of pressure.

Code Compliance and Certifications

cUPC Approval

Terreon and TerreonRE Deep Bowl Washfountains are Uniform Plumbing Code (cUPC), International Plumbing Code (IPC) and National Plumbing Code of Canada certified through the International Association of Plumbing and Mechanical Officials (IAPMO). Manufactured in compliance with IGC 156-2012, CSA B45 Series-2002 (R2013) & ASME A112.18.1-2012/CSA B125.1-12.

ANSI Standards

Terreon and TerreonRE are certified by Home Innovation Lab to meet CSA B45.5/IAPMO Z124.


Standard Height Mounting

The TDB3105 at standard height is designed to comply with all ADA guidelines on reaches, clearances and operation.

Optional equipment may not comply with all ADA dimensional guidelines.

Juvenile Height Mounting

The TDB3105 is designed to mount at different heights to comply with guidelines on reaches, clearances and operation for various codes including ADA Accessibility Guidelines for Buildings and Facilities (ADAAG) and TAS (Texas Accessibility Standards). Always check your local and state codes.

 Standard product selections contained within this document are third party **CERTIFIED** to NSF/ANSI 372 meeting the Lead-Free content requirement. Any product configured with custom options will be **COMPLIANT** with NSF/ANSI 372 meeting the Lead-Free content requirement.





Terreon® 36" Circular, 7-1/2" Deep Bowl Washfountain

Standard Selections (Must select one from each category)

Drain Type (select one)

O Off-line vent with supplies from above

B Centrally rising vent with supplies from above

A Off-line vent with supplies from below

H Centrally rising vent with supplies from below

Mounting Height Type (select one)

STD Standard Height 34" Rim

JUV Juvenile Height 30" Rim

TAS Intermediate Height 32" Rim

Sprayhead Type (select one)

CLC Classic Sprayhead (entire sprayhead activates)

Activation Type (select one)

IRP Infrared **TTPA** TouchTime Pushbutton §

AST4 Air Pushbutton **TTPB** TouchTime Piezo Switch §

Water Supply Type (select one)

TL Tempered Line

TMA Thermostatic Mixing Valve

Soap Dispenser Type (select one)

LSD Liquid Soap Dispenser* **MPSD** Metal-Clad Powdered Soap Dispenser*

PSD Powdered Soap Dispenser* **NSD** No Soap Dispenser

MLSD Metal-Clad Liquid Soap Dispenser* **SA** Cube Adapter for Individual Soap Dispensers (dispensers sold separately)‡

Color of Terreon Bowl (select one)

Standard Colors

ALP-WHT Alpine White **LONDON** London Gray

AVALANCHE Avalanche † **MOONSTONE** Moonstone †

BONE Mesa Bone **O-TAUPE** Organic Taupe

CHAR Charcoal Gray **PEBBLE** Pebble Beach

COBBLE Cobblestone **PEP-WHT** Peppered White

DRIFT Driftwood † **POLAR** Polar Ice †

DS-WHT Designer White **SAND** Sandtrap

DUNE Sand Dune † **S-CREEK** Stone Creek

E-GRAY Empire Gray **S-MIST** Silver Mist

GLACIER Glacier **WHT-SAND** White Sand

GRAPH Graphite

LANNON Lannonstone

*Designer Colors** (available at an additional charge)*

ARC-CHIP Arctic Chip **RIVER** Riverstone

COFFEE Coffee Bean

*TerreonRE Colors** (available at an additional charge)*

BIRCH-BARK Birch Bark **MOONDUST** Moondust

DUSK Dusk **OAT** Oat

Optional Selections

Shroud Type

SH Stainless Steel Shroud (Conceals overhead plumbing)**

NONE No Shroud

Support Tube Reinforcement Type

TA 1-1/2" Tie Pipe Assembly (not required when SH is selected)**

NONE No Tie Pipe Assembly

Towel Dispenser Type

CFTD (3) C-Fold, Multi-Fold Dispenser*

SFTD (3) Single Fold Dispensers*

NONE No Towel Dispenser

* Optional equipment may not comply with all ADA guidelines

** Non-cancellable, non-returnable.

† This color contains large, randomly distributed chips.

‡ Towel Dispenser with SA soap option is non-cancelable, non-returnable.

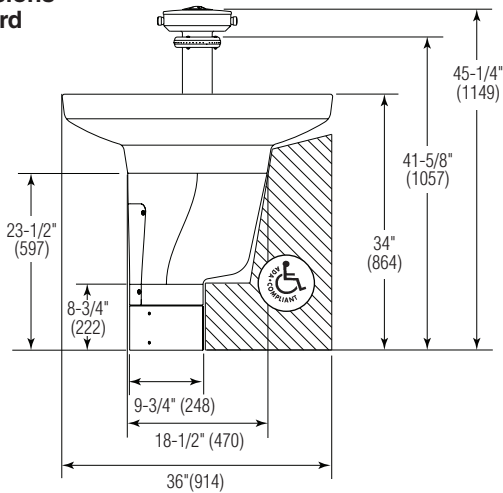
§ TTPA and TTPB valves require a low-voltage UL/CSA listed 120VAC/12VDC plug-in adapter.



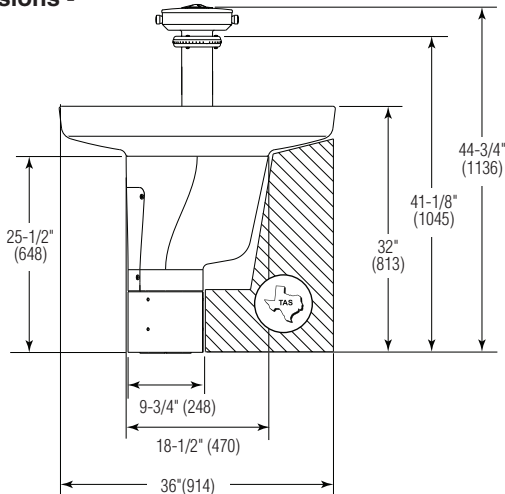
Terreon® 36" Circular, 7-1/2" Deep Bowl Washfountain

TDB3105

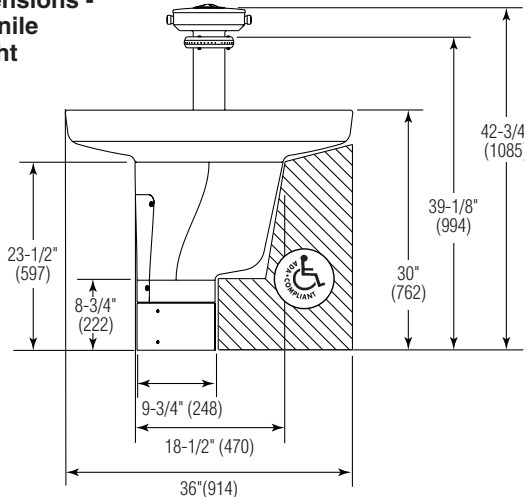
Dimensions - Standard Height



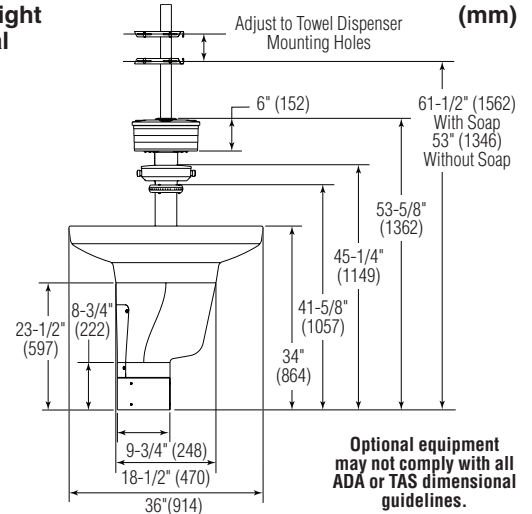
Dimensions - TAS Height



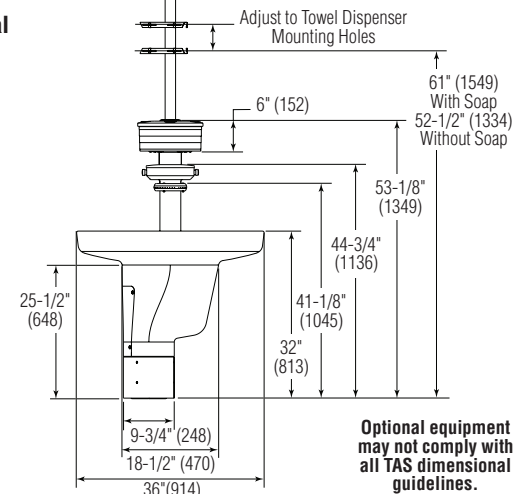
Dimensions - Juvenile Height



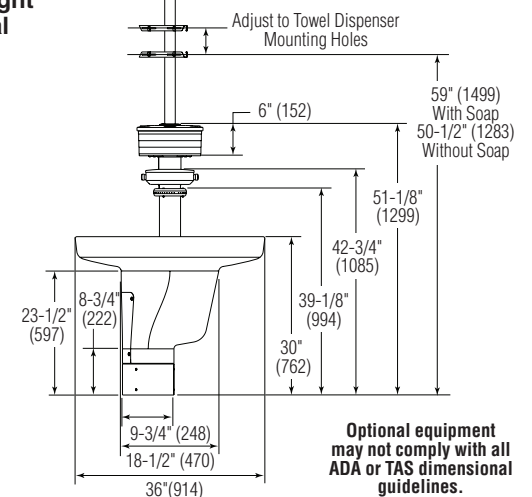
Standard Height with Optional Accessories



TAS Height with Optional Accessories



Juvenile Height with Optional Accessories



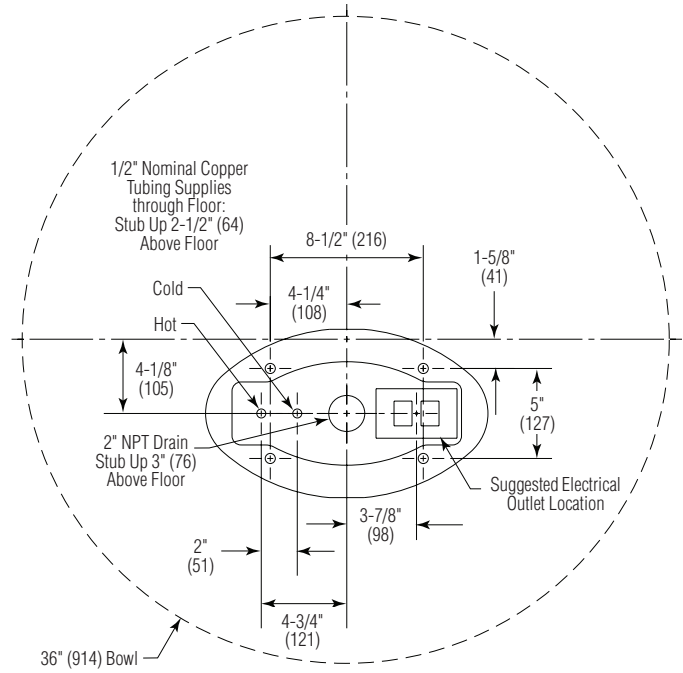
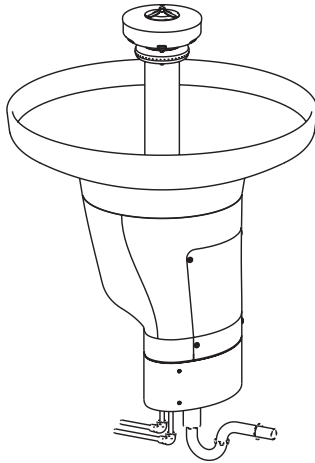


TDB3105 Terreon® 36" Circular, 7-1/2" Deep Bowl Washfountain

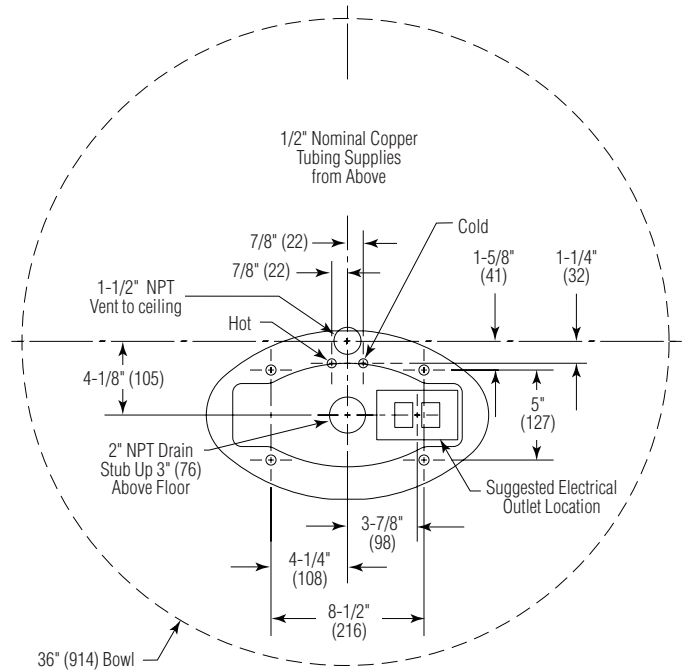
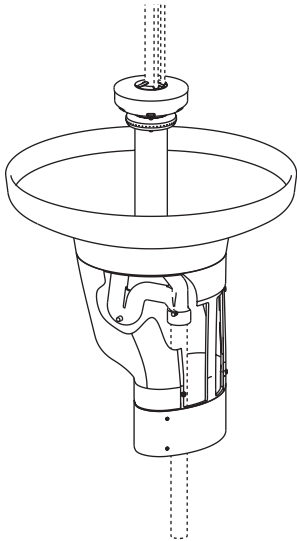
(mm)

Rough-Ins

Type A -
Off-line vent with supplies from below.



Type B -
Centrally rising vent with supplies from above.





Terreon® 36" Circular, 7-1/2" Deep Bowl Washfountain

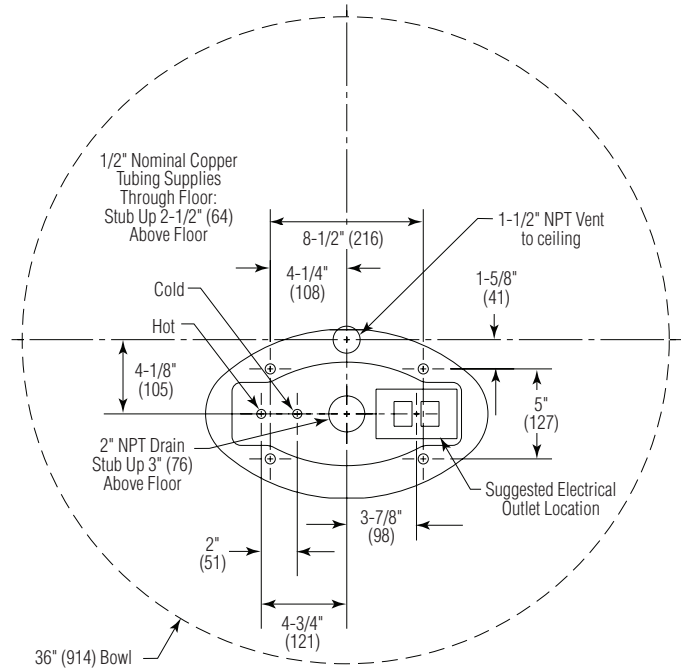
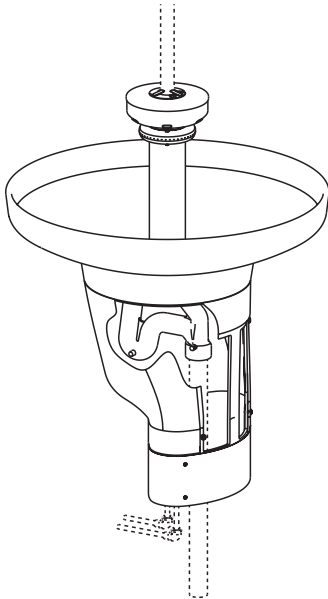
TDB3105

(mm)

Rough-Ins

Type H -

Centrally rising vent with supplies from below.



Type O -

Off-line vent with supplies from above.

