

**Specifications**

**Materials**

All cabinet materials, including interior piping are Type 304 stainless steel. The fixture is made from heavy gauge stainless steel with seamless welded surfaces.

**Construction**

**Cabinet/Toilet**

All welded construction with exposed welds ground smooth, and all accessible seams and voids eliminated. Fixture will withstand up to 5,000 lb. load on front edge of toilet (certified test results of such loading are available upon request).

**Lavatory**

Die-drawn oval bowl has multiple-hole fast drain with air vent. Self-draining soap dishes are formed into countertop. Lavatory bowl measures 13-1/4" x 10" x 5" deep. Lavatory waste must be chosen from selection list. Options include: self-closing, pneumatic metering, and electric metering valves.

*When choosing the Floodbuster option, a minimum of 35 PSI flowing into the Floodbuster valve is required.*

**Toilet**

Elongated die-drawn bowl has blowout jet action for positive flush. 30 PSI (flowing into flush valve) required for flushing. Toilet assembly meets ANSI A112.19.6 specifications. Integral or hinged plastic seat optional. Wall outlet units include a no-hub waste connection. Flange waste standard on floor waste outlet. Flange waste connection optional for wall waste outlet.

**Flush Valve**

Flush valve is not included as standard equipment with the unit. Flush valve included when specified.

**Finish**

All exposed stainless steel surfaces have a beadblast finish. Polished #4 sanitary finish optional. A #7 high polish sanitary finish is optional for the contoured integral toilet seat. Exposed fitting surfaces are triple chrome-plated.



Left Angle configuration shown

**Wall Anchoring**

No exposed mounting fasteners in cell area – fixture is completely secured from pipe chase side with rust-resistant mounting hardware for walls up to 12" thick.

*Fixture requires wall openings and accessible chase for installation and maintenance. Some field assembly may be required.*

Standard product selections contained within this document are third party **CERTIFIED** to NSF/ANSI 372 meeting the Lead-Free content requirement. Any product configured with custom options will be **COMPLIANT** with NSF/ANSI 372 meeting the Lead-Free content requirement.



Certified to NSF/ANSI 372

DISCONTINUED

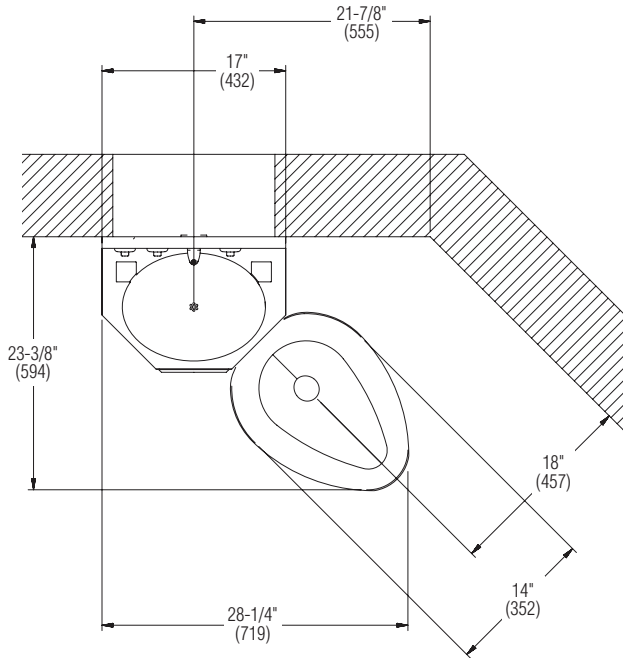
<b>Model</b>	<b>Description</b>
<input type="checkbox"/> COMBI5500	17" Chase Mounted 5-Sided Stainless Steel Combi
<b>Required Selections</b> (Must select one from each category)	
<b>Bowl Configuration (select one):</b>	
<input type="checkbox"/> L	Left Hand Configuration
<input type="checkbox"/> R	Right Hand Configuration
<input type="checkbox"/> C	Center Configuration
<b>Flush Valve Button Location (select one):</b>	
<input type="checkbox"/> LFVPB	Left Side Flush
<input type="checkbox"/> RFVPB	Right Side Flush
<b>Fixture Mounting (select one):</b>	
<input type="checkbox"/> WTD	Wall Hung
<input type="checkbox"/> FTD	Floor Standing
<b>Toilet Waste Outlet (select one):</b>	
<input type="checkbox"/> WALL	Wall Outlet
<input type="checkbox"/> FLOOR	Floor Outlet (N/A with wall-hung unit)
<b>Toilet Seat (select one):</b>	
<input type="checkbox"/> ISEAT	Integral Seat
<input type="checkbox"/> PSEAT	Plastic Seat (White)
<b>Finish (select one):</b>	
<input type="checkbox"/> BB	Bead Blast (Standard)
<input type="checkbox"/> PS	Polished Stainless Steel
<b>Wall Thickness (select one):</b>	
<input type="checkbox"/> 0-4	0-4" Wall Thickness
<input type="checkbox"/> 8-12	8-12" Wall Thickness
<input type="checkbox"/> 4-8	4-8" Wall Thickness
<b>Valve (select one):</b>	
<input type="checkbox"/> ASTS	Air Single Temp Self-Closing Valve
<input type="checkbox"/> ADTS	Air Dual Temp Self-Closing Valve
<input type="checkbox"/> ASTM	Air Single Temp Metering Valve
<input type="checkbox"/> ADTM	Air Dual Temp Metering Valve
<input type="checkbox"/> TTST*	TouchTime® Single Temp Electronic Metering Valve
<input type="checkbox"/> TTD*	TouchTime® Dual Temp Electronic Metering Valve
<input type="checkbox"/> NV	No Valve
<b>Filler/Bubbler (select one):</b>	
<input type="checkbox"/> PF	Penal Filler
<input type="checkbox"/> NF	No Filler
<input type="checkbox"/> CF	Code Filler
<b>Lavatory Waste (select one):</b>	
<input type="checkbox"/> EW-NH	Elbow Waste No-Hub
<input type="checkbox"/> PT-NH	P-Trap No-Hub
<input type="checkbox"/> 1 1/4EW-C	1-1/4" Elbow Waste – Coupling
<input type="checkbox"/> 1 1/2EW-C	1-1/2" Elbow Waste – Coupling
<input type="checkbox"/> 1 1/4PT-C	1-1/4" P-Trap – Coupling
<input type="checkbox"/> 1 1/2PT-C	1-1/2" P-Trap – Coupling
<input type="checkbox"/> CW	Combined Waste
<input type="checkbox"/> CW-CO	Combined Waste w/Clean-Out
<b>Flush Valve (select one):</b>	
<input type="checkbox"/> LCMFV	Low Consumption Mechanical Flush Valve
<input type="checkbox"/> LCHFV	Low Consumption Hydraulic Flush Valve
<input type="checkbox"/> LCTTFV	Low Consumption Touchtime® Electronic Flush Valve
<input type="checkbox"/> NFV	No Flush Valve

<b>Optional Selections</b>	
<b>Flush Valve Inlet Connections:</b>	
<input type="checkbox"/> MMC	Male to Male Connection
<input type="checkbox"/> MFC	Male to Female Connection
<b>Water Closet Waste Outlet Accessories:</b>	
<input type="checkbox"/> 3NH	3" No-Hub Coupling
<input type="checkbox"/> 4NH	4" No-Hub Coupling
<input type="checkbox"/> GSKT	Neoprene Flange Gasket
<input type="checkbox"/> 4COT	4" No-Hub Clean-Out Tee
<input type="checkbox"/> 4COTH	4" No-Hub Clean-Out Tee with Clean-Out Hook
<input type="checkbox"/> 4COTP	4" No-Hub Clean-Out Tee with Clean-Out Pin
<input type="checkbox"/> 4COH	4" Clean-Out Hook
<input type="checkbox"/> 4COP	4" Clean-Out Pin
<b>In-Chase Lavatory Waste Accessories:</b>	
<input type="checkbox"/> 1 1/4PN	1-1/4" P-Trap – No Hub
<input type="checkbox"/> 1 1/2PN	1-1/2" P-Trap – No Hub
<input type="checkbox"/> 1 1/4PC	1-1/4" P-Trap – Coupling
<input type="checkbox"/> 1 1/2PC	1-1/2" P-Trap – Coupling
<input type="checkbox"/> 1 1/4ON	1-1/4" Clean-Out – No Hub
<input type="checkbox"/> 1 1/2ON	1-1/2" Clean-Out – No Hub
<input type="checkbox"/> 1 1/4OC	1-1/4" Clean-Out – Coupling
<input type="checkbox"/> 1 1/2OC	1-1/2" Clean-Out – Coupling
<b>Recessed Tissue Holder:</b>	
<input type="checkbox"/> RTH	Recessed Tissue Holder
<b>Towel Hook:</b>	
<input type="checkbox"/> TH	Towel Hook
<b>Toothbrush Holder (located on side opposite toilet):</b>	
<input type="checkbox"/> TBH	Toothbrush Holder
<b>Floodbuster (must be located in chase):</b>	
<input type="checkbox"/> FBM	Mechanical Floodbuster

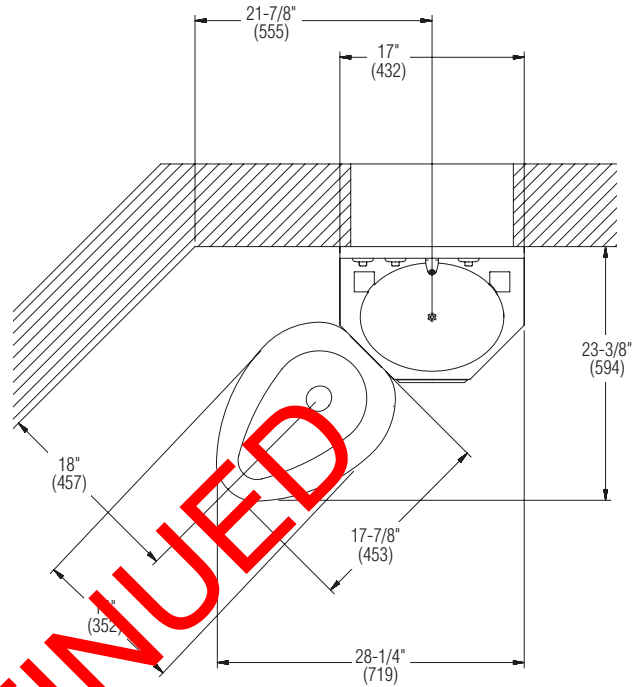
DISCONTINUED

\* Requires 24 V Class 2 Transformer, available as separate item from Bradley.

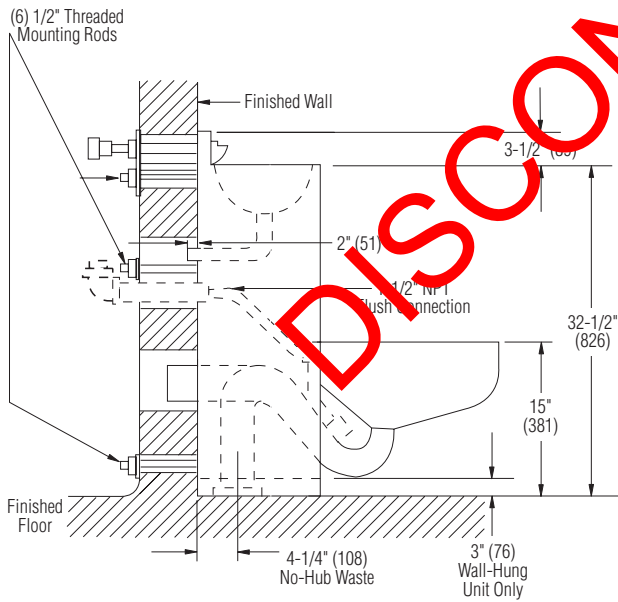
**TOP VIEW RIGHT-HAND MODEL**



**TOP VIEW LEFT-HAND MODEL**

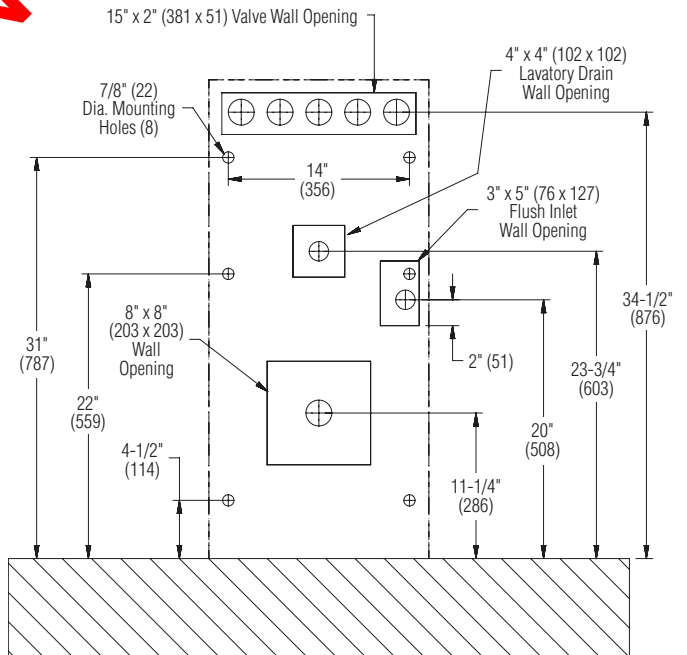


**SIDE VIEW**



**ROUGH-IN DIMENSIONS**

(View Is from Fixture Side; Left-Hand Model)



DISCONTINUED