

Installation

COMBI5600

17" Front-Mounted Five-Sided Stainless Steel Combi

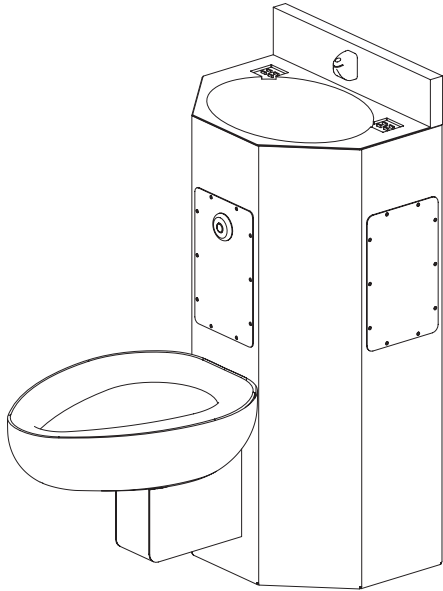


Table of Contents

Dimensions	2
Rough-Ins	3
Installation (standard)	4
Installation (with optional Wall Sleeve)	5
Supply, Drain and Waste Connections	6
Stainless Steel Cleaning and Maintenance	6



IMPORTANT



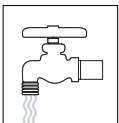
Read this entire installation manual to ensure proper installation, then file this manual with the owner or maintenance department. Always refer to the installation manuals provided with optional components for more information. Compliance and conformity to local codes and ordinances is the responsibility of the installer.



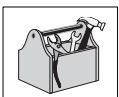
Separate parts from packaging and make sure all parts are accounted for before discarding any packaging material. If any parts are missing, do not begin installation until you obtain the missing parts.



Before installing components, all connection supply lines must be flushed and free of foreign material such as pipe dope, chips, solder, etc. Bradley will not be responsible for leaking valves due to the presence of foreign material, or distorted stop gaskets where excessive pressure (above 30 lbs. of torque) has been applied to the stop cap.



After flushing has been completed, make sure that all water supply lines have been completely turned off before beginning installation. After installation has been completed, turn the water supply lines back on and test the unit for leaks and adequate water flow.



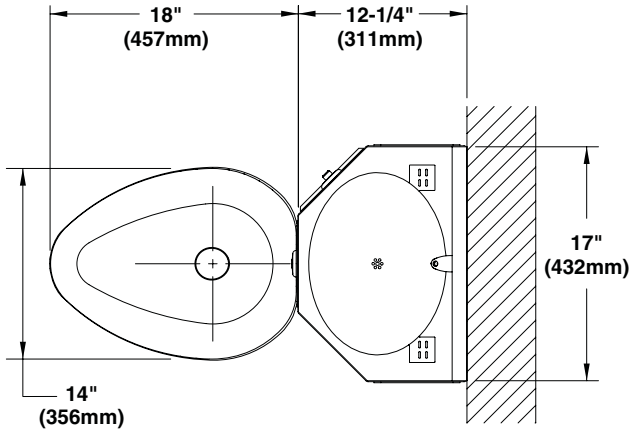
Bradley security fixtures are tamper-resistant. All fasteners must be securely tightened to approximately 60 ft./lbs. All mounting hardware provided is essential in properly anchoring unit. Bradley cannot assume any responsibility for units improperly installed.



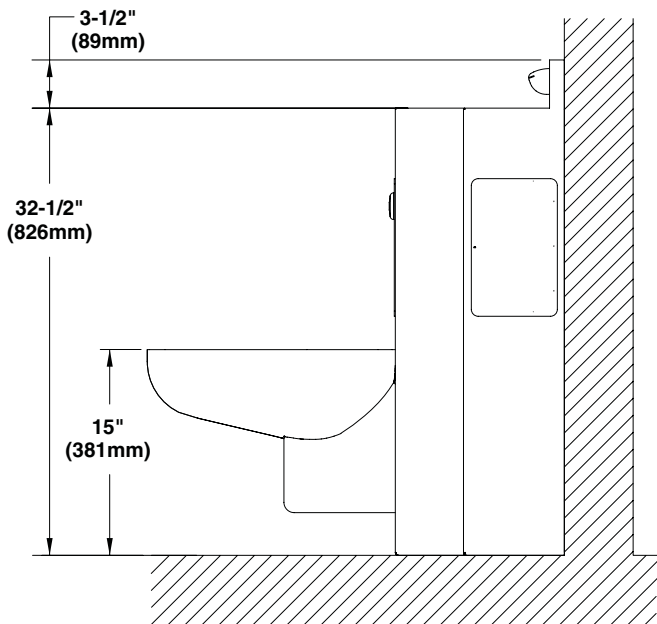
Product warranties may be found under "Product Information" on our web site at www.bradleycorp.com.

Dimensions

TOP VIEW

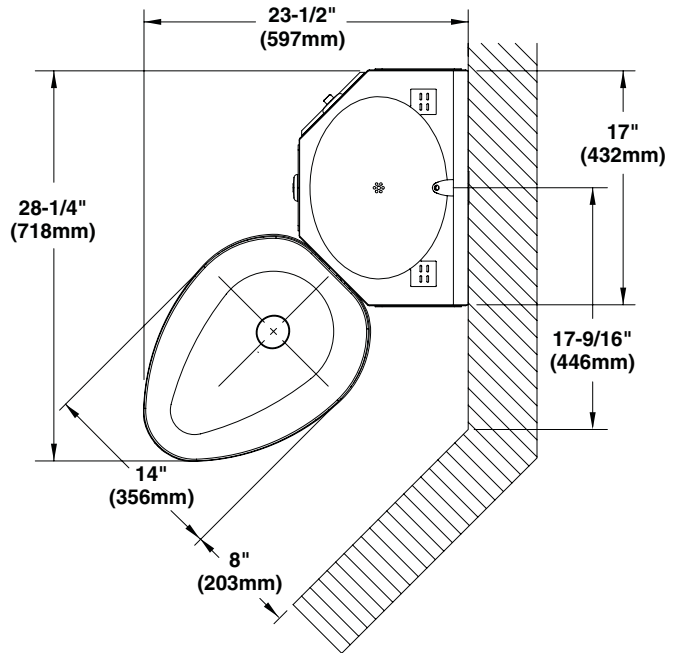


SIDE VIEW

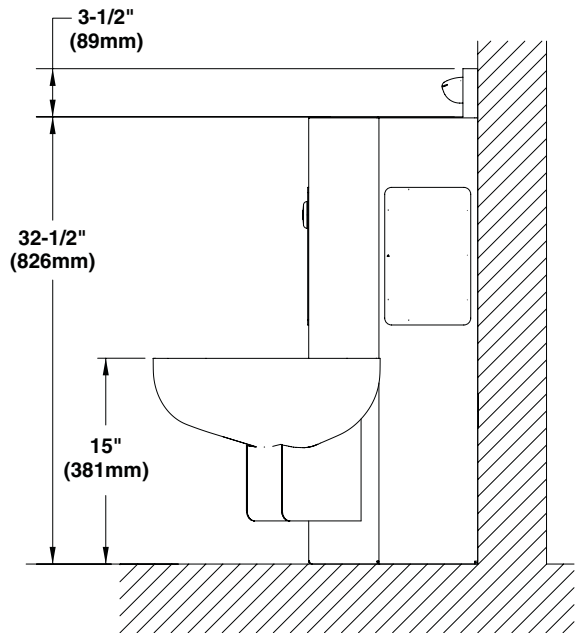


Model 5600 Straight Water Closet

TOP VIEW



SIDE VIEW

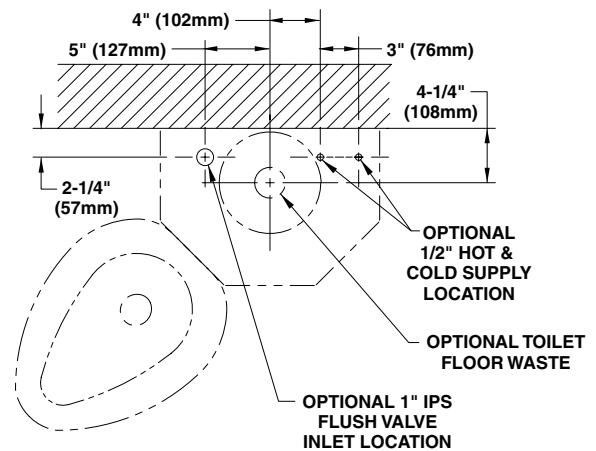
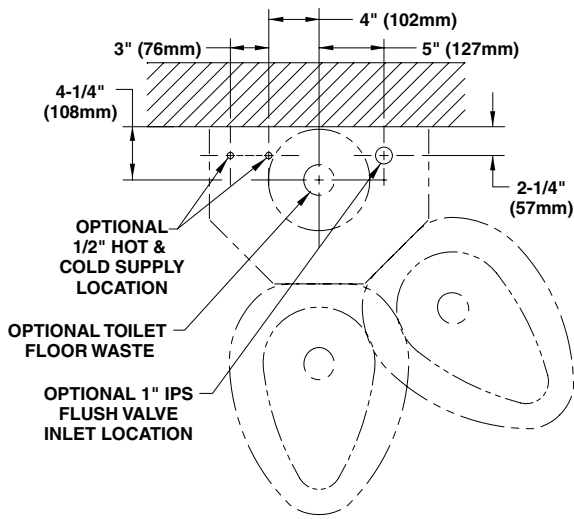


Model 5600 Angled Water Closet

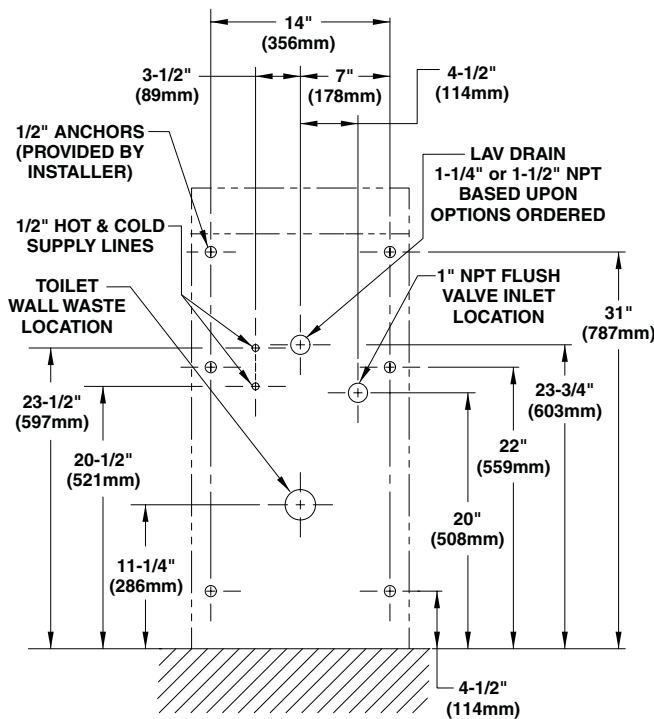
NOTE: Right-hand unit is shown. Left-hand unit is mirror image.

Rough-Ins

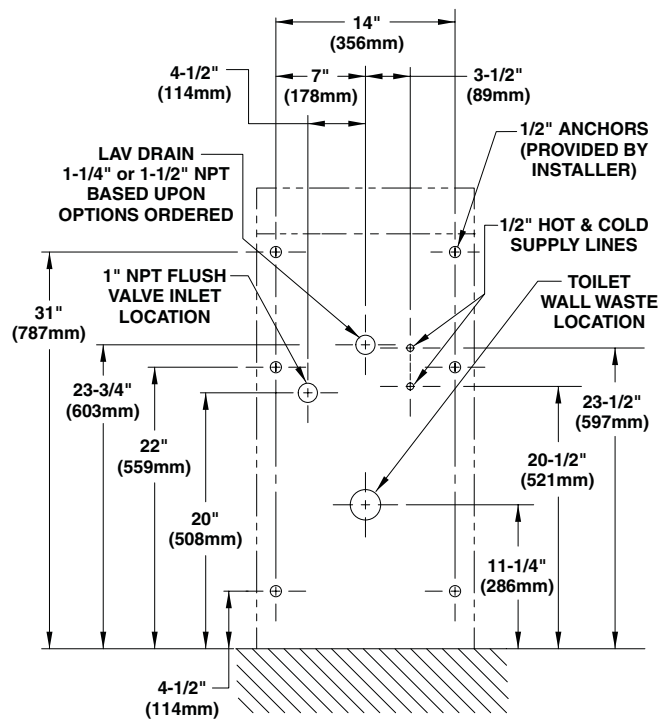
NOTE: For units with an optional wall sleeve, refer to the rough-ins provided with the wall sleeve.



Mounting Locations Shown From Fixture Side of Wall



Right Side and Center
Rough-In Dimensions



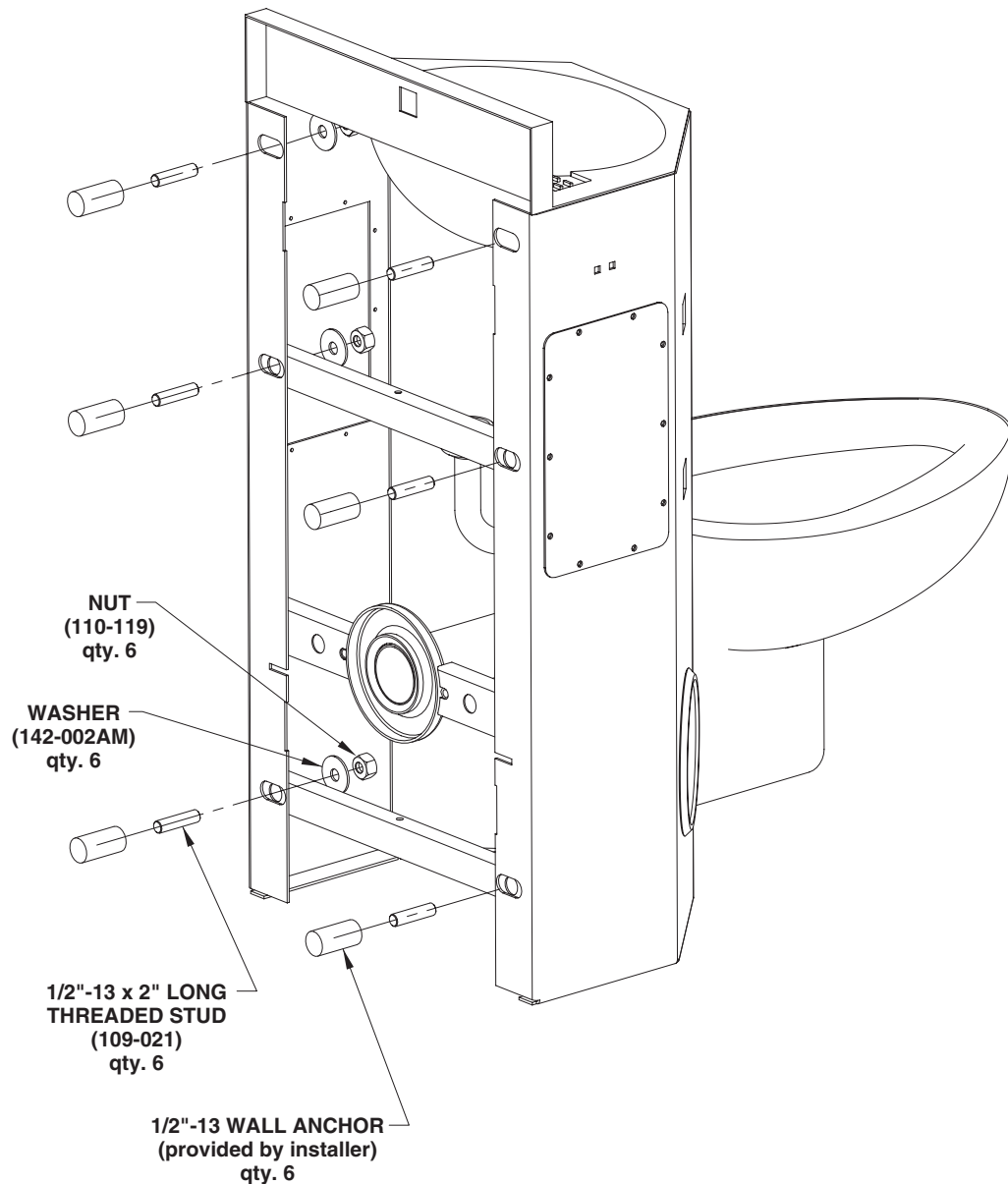
Left Side
Rough-In Dimensions

Supplies Required:

- 1/2" NPT supply piping to valve
- 1-1/4" or 1-1/2" NPT lavatory waste outlet (exact size dependent upon options ordered)
- 1" NPT supply piping to flush valve
- Wax or foam toilet waste seal

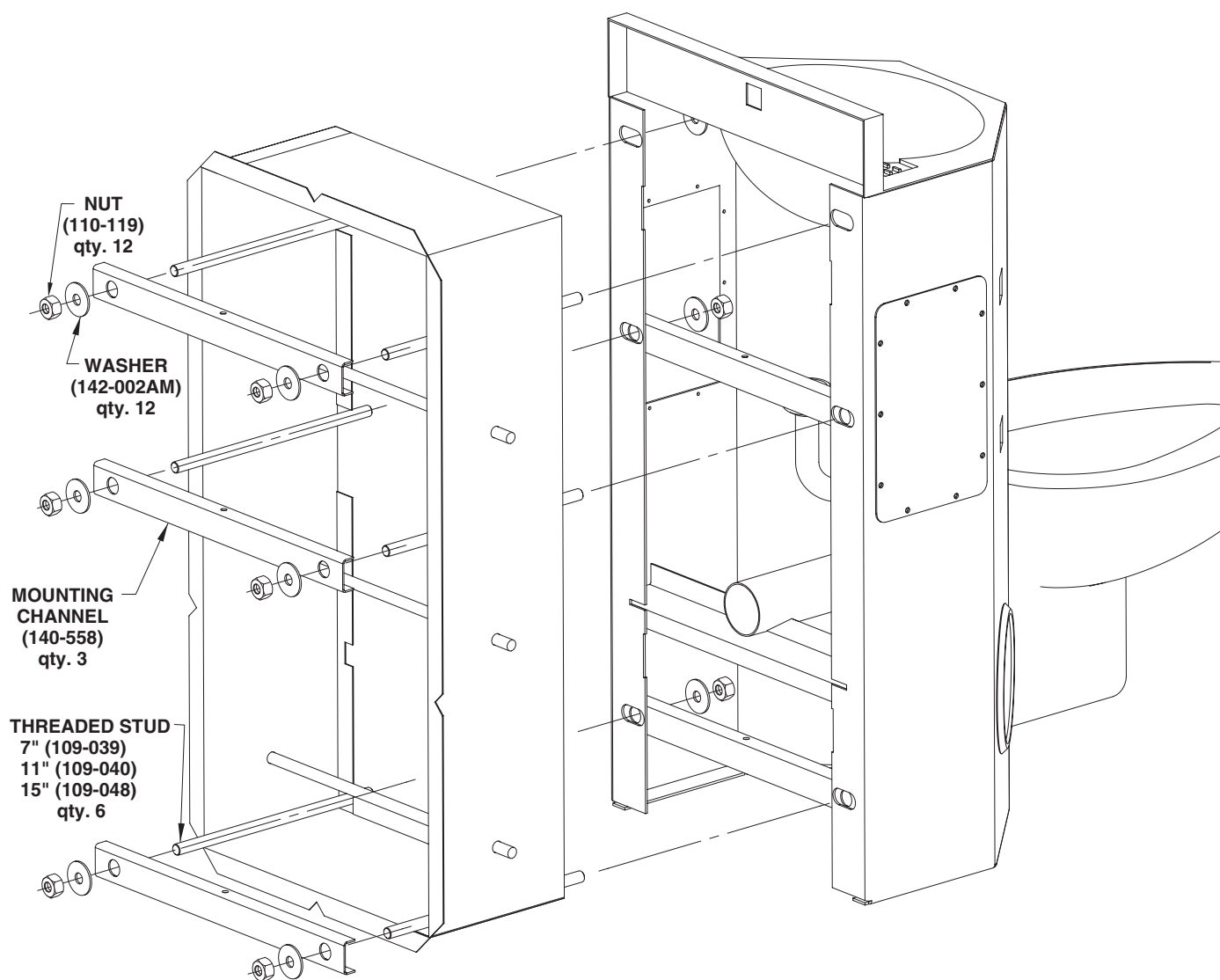
Installation

1. Remove the #10-24 access panel screws with the hex key provided and lift the access panels off.
2. Install suitable 1/2"-13 wall anchors (supplied by installer) in the wall at the marked locations.
3. Install the optional P-Trap (if provided) to the lavatory drain in the unit's cabinet.
4. With a suitable toilet waste seal in place, position the fixture on the wall. Reaching into the access openings, insert six 1/2" x 2" studs through the brackets on the back of the fixture into the anchors in the wall. Secure the fixture to the wall using the washers and nuts provided. Hand tighten the nuts.
5. Secure the fixture waste flange with nuts or bolts if required. Secure the fixture to the wall by tightening the six nuts.



Installation (units with optional wall sleeve)

1. Insert the six 1/2"-13 threaded studs provided to the back of the fixture and secure with the nuts and washers provided.
2. Connect the 1" flush valve supply pipe (provided by installer) to the 1" NPT flush valve supply stop.
3. Install the optional P-Trap (if provided) to the lavatory drain in the unit's cabinet.
4. Install the wall sleeve in the wall opening (for instructions, refer to the installation manual provided with the sleeve).
5. Slide the studs and pipes through the wall opening and position the fixture in place on the wall.
6. Secure the fixture to the wall using the anchor brackets, washers, and nuts provided.



Supply, Drain and Waste Connections

1. Connect the water supply to the flush valve (piping supplied by installer).
2. Connect the lavatory drain to the elbow (or optional P-trap, if supplied) (piping supplied by installer).
3. Make the toilet waste outlet connections (piping supplied by installer).
4. Mount the valve assembly at the desired location and make the supply connections. Connect the tubing from the back of the unit pushbuttons to the valve assembly (for additional information, refer to the valve's installation manual provided with the valve).
5. Turn on the water supplies to the unit and check for leaking.
6. Press the lavatory pushbuttons several times to purge air from the lines.
7. Activate the flush valve several times to purge air from the lines.
8. Replace the access panels to the unit with the #10-24 screws provided.

Stainless Steel Cleaning and Maintenance

Routine cleaning: Daily or as often as needed use a solution of warm water and soap, detergent, or ammonia. Apply the cleaning solution per the manufactures instructions and always use a soft cloth or sponge to avoid damaging the finish.

Stubborn Stains: To remove stains from stainless steel use a stainless steel cleaner and polish or a soft abrasive. Always follow the manufactures instructions and apply in the same direction as the polish lines.



IMPORTANT: NEVER USE ORDINARY STEEL WOOL OR STEEL BRUSHES ON STAINLESS STEEL. ALWAYS USE STAINLESS STEEL WOOL OR STAINLESS STEEL BRUSHES.

Special Situations for Material

Fingerprints and Smears: To remove fingerprints or smears use a high quality stainless steel cleaner and polish in accordance with the manufactures instructions. Many of these products leave a protective coating the helps prevent future smears and fingerprints.

Grease and Oil : To remove grease and oil use a quality commercial detergent or caustic cleaner. Apply in accordance to the manufactures instructions and in the direction of the polish lines.

Precautions: Avoid prolonged contact with chlorides (bleaches, salts), bromides (sanitizing agents), thiocyanates (pesticides, photography chemicals, and some foods), and iodides on stainless steel equipment, especially if acid conditions exist.



IMPORTANT: DO NOT PERMIT SALTY SOLUTIONS TO EVAPORATE AND DRY ON STAINLESS STEEL.

The appearance of rust streaks on stainless steel leads to the belief that the stainless steel is rusting. Look for the actual source of the rust in some iron or steel particles which may be touching, but not actually a part of the stainless steel structure.

NOTE: Strongly acidic or caustic cleaners may attack the steel causing a reddish film to appear. The use of these cleaners should be avoided.