

- Sturdy cabinet with fully enclosed bottom
- 1-1/4" no-hub elbow waste
- Meets all applicable ADA height and clearance requirements
- All units factory tested for proper operation

Specifications

Materials

All cabinet materials, including interior piping, are Type 304 stainless steel. The fixture is made from heavy gauge stainless steel with seamless welded surfaces.

Construction

All-welded construction with exposed welds ground smooth, and all accessible seams and voids eliminated. Lavatory bowl measures 14-1/2" x 9-1/2" x 5" deep. Lavatory is 18" W x 18" D.

Finish

All exposed stainless steel surfaces have a bead blast finish (optional polished stainless steel finish).

Wall Anchoring

No exposed mounting fasteners. Fixture is completely secured from pipe chase side with furnished rust-resistant mounting hardware for walls up to 12" thick.

Check Your Surroundings

Certain factors, such as intense direct sunlight, other infrared devices, or other site conditions may interfere with the activation of infrared faucets. Contact your local Bradley representative to discuss any application concerns.



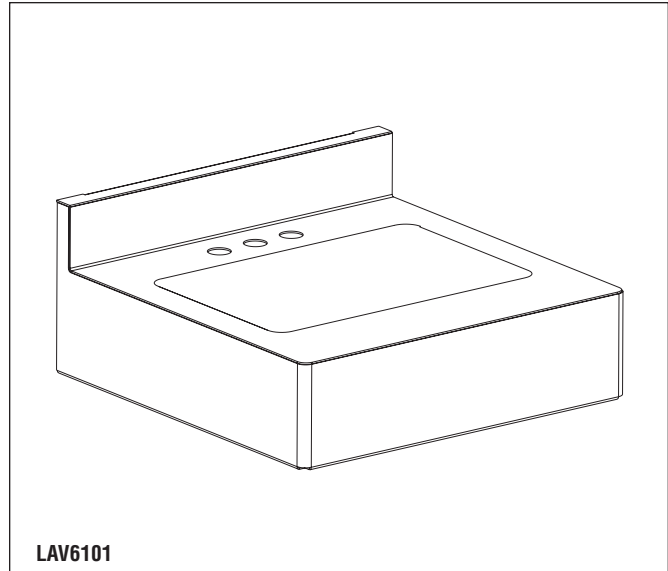
Fixture requires wall openings and accessible chase for installation and maintenance. Some field assembly may be required.



Standard product selections contained within this document are third party **CERTIFIED** to NSF/ANSI 372 meeting the Lead-Free content requirement. Any product configured with custom options will be **COMPLIANT** with NSF/ANSI 372 meeting the Lead-Free content requirement.



Certified to
NSF/ANSI 372



LAV6101

Model	Description
<input type="checkbox"/> LAV6101	Chase-Mounted Barrier-Free Rectangular Stainless Steel Lav

Standard Selections (must select one from each category)

Finish (select one):

- BB** Bead Blast (Standard) **PS** Polished Stainless Steel

Wall Thickness: (Select one):

- 0-4** 0-4" Wall Thickness **4-8** 4-8" Wall Thickness
 8-12 8-12" Wall Thickness

Faucets* (select one):

- NFA** No Faucet Drilling
 4" SET 4" Centerset Drilling (No Faucet)
 SHANK Centershank Drilling (No Faucet)

Lavatory Wastes (select one):

- EW-NH** Elbow Waste - No-Hub (Std)
 1-1/4EW-C 1-1/4" Elbow Waste - Coupling
 1-1/2EW-C 1-1/2" Elbow Waste - Coupling

Optional Selections

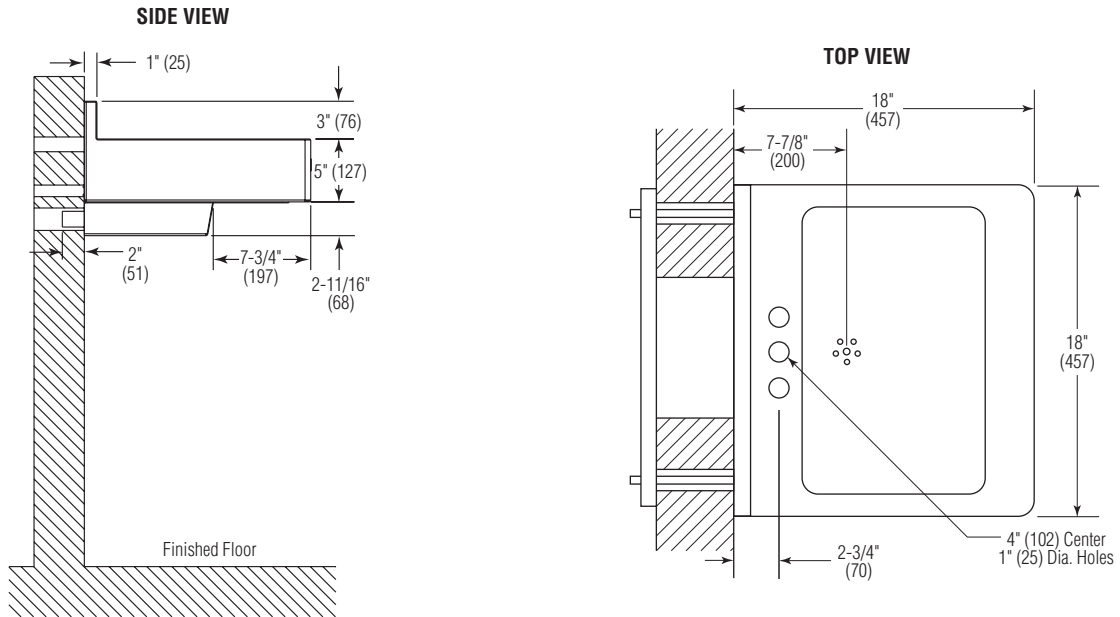
In Chase Lavatory Waste Accessories:

- 1 1/4PN** 1-1/4" P-Trap - No Hub **1 1/2PN** 1-1/2" P-Trap - No Hub
 1 1/4PC 1-1/4" P-Trap - Coupling **1 1/2PC** 1-1/2" P-Trap - Coupling
 1 1/4ON 1-1/4" Clean-Out - No-Hub **1 1/2ON** 1-1/2" Clean-Out - No-Hub
 1 1/4OC 1-1/4" Clean-Out - Coupling
 1 1/2OC 1-1/2" Clean-Out - Coupling

Lav Water Supply:

- TMA** Thermostatic Mixing Supply

*Bradley recommends a faucet with 0.5 GPM or less. Ghosting issues can occur with infrared faucets and stainless steel lavatories.



**ROUGH-IN DIMENSIONS
(View is from fixture side)**

