

- Sturdy cabinet with fully enclosed bottom
- 1-1/4" no-hub elbow waste
- Meets all applicable ADA height and clearance requirements
- All units factory tested for proper operation

### Specifications

#### Materials

All cabinet materials, including interior piping are Type 304 stainless steel. The fixture is made from heavy gauge stainless steel with seamless welded surfaces.

#### Construction

##### Cabinet

All welded construction with exposed welds ground smooth, and all accessible seams and voids eliminated. Bottom of lav cabinet is fully enclosed with a seamless welded plate.

##### Lavatory

Die-drawn lavatory has multiple hole fast drain with no-hub elbow waste and air vent. Lavatory bowl measures 14-1/2" x 9-1/2" x 5" deep. Valve options include self-closing pneumatic metering and electric metering valves.

#### Finish

All exposed stainless steel surfaces have a bead blast finish (optional #4 polished satin finish.)

#### Wall Anchoring

No exposed mounting fasteners in cell area – fixture is completely secured from pipe chase side with rust-resistant mounting hardware for walls up to 12" thick furnished.

#### Standard Equipment

Unitized stainless steel cabinet/lavatory with integral fast drain and elbow waste with 1-1/4" no hub outlet, integral air vent and rust-resistant mounting hardware for walls up to 12" thick.

*Fixture requires wall openings and accessible chase for installation and maintenance. Some field assembly may be required.*

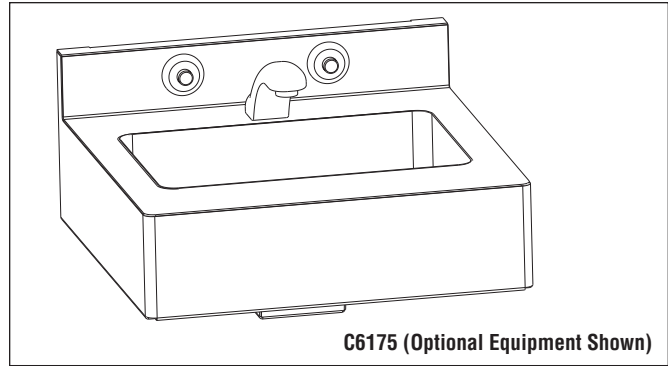
Standard product selections contained within this document are third party **CERTIFIED** to NSF/ANSI 372 meeting the Lead-Free content requirement. Any product configured with custom options will be **COMPLIANT** with NSF/ANSI 372 meeting the Lead-Free content requirement.



Certified to NSF/ANSI 372

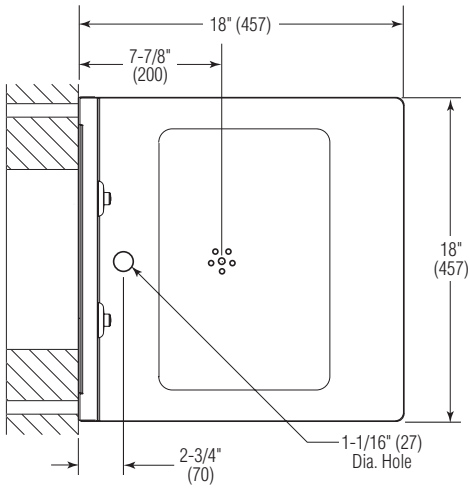


DISCONTINUED

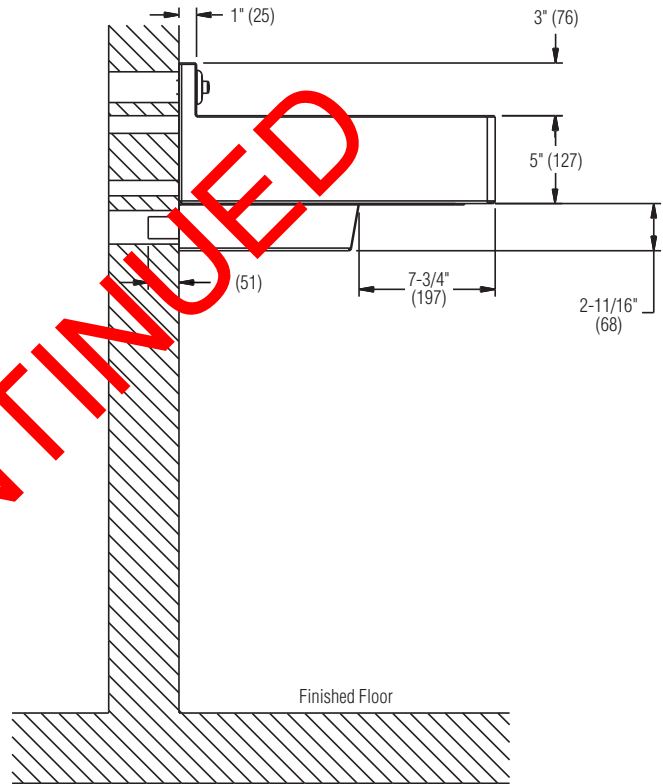


<b>Model</b>	
<input type="checkbox"/> LAV6175	
<b>Required Selections</b> (Must select one from each category)	
<b>Finish:</b>	
<input type="checkbox"/> <b>BB</b>	Bead Blast (Standard)
<input type="checkbox"/> <b>PS</b>	Polished Stainless Steel
<b>Wall Thickness (select one):</b>	
<input type="checkbox"/> <b>0-4</b>	0-4" Wall Thickness
<input type="checkbox"/> <b>4-8</b>	4-8" Wall Thickness
<input type="checkbox"/> <b>8-12</b>	8-12" Wall Thickness
<b>Valve (select either a Filler or Other Configuration)</b>	
<input type="checkbox"/> <b>ASTS</b>	Air Single Temp Self-Closing Valve
<input type="checkbox"/> <b>ADTS</b>	Air Dual Temp Self-Closing Valve
<input type="checkbox"/> <b>ASTM</b>	Air Single Temp Metering Valve
<input type="checkbox"/> <b>ADTM</b>	Air Dual Temp Metering Valve
<input type="checkbox"/> <b>TTST</b>	Touch Time™ Single Temp Electronic Metering Valve
<input type="checkbox"/> <b>TTDT</b>	Touch Time™ Dual Temp Electronic Metering Valve
<input type="checkbox"/> <b>NV</b>	No Valves
<b>Filler/Bubbler: (Select One)</b>	
<input type="checkbox"/> <b>DMSP</b>	Deck Mounted Spout
<input type="checkbox"/> <b>DMPF</b>	Deck Mounted Penal Filler
<input type="checkbox"/> <b>DMCF</b>	Deck Mounted Code Filler
<input type="checkbox"/> <b>NF</b>	No Filler
<b>Lavatory Wastes:</b>	
<input type="checkbox"/> <b>EW-NH</b>	Elbow Waste - No-Hub (Standard)
<input type="checkbox"/> <b>1 1/4EW-C</b>	1-1/4" Elbow Waste - Coupling
<input type="checkbox"/> <b>1 1/2EW-C</b>	1-1/2" Elbow Waste - Coupling
<b>In Chase Lavatory Waste Accessories:</b>	
<input type="checkbox"/> <b>1 1/4PN</b>	1-1/4" P-Trap - No Hub
<input type="checkbox"/> <b>1 1/2PN</b>	1-1/2" P-Trap - No Hub
<input type="checkbox"/> <b>1 1/4PC</b>	1-1/4" P-Trap - Coupling
<input type="checkbox"/> <b>1 1/2PC</b>	1-1/2" P-Trap - Coupling
<input type="checkbox"/> <b>1 1/4ON</b>	1-1/4" Clean-Out - No Hub
<input type="checkbox"/> <b>1 1/2ON</b>	1-1/2" Clean-Out - No Hub
<input type="checkbox"/> <b>1 1/4OC</b>	1-1/4" Clean-Out - Coupling
<input type="checkbox"/> <b>1 1/2OC</b>	1-1/2" Clean-Out - Coupling
<b>Lav Water Supply:</b>	
<input type="checkbox"/> <b>TMA</b>	Thermostatic Mixing Supply

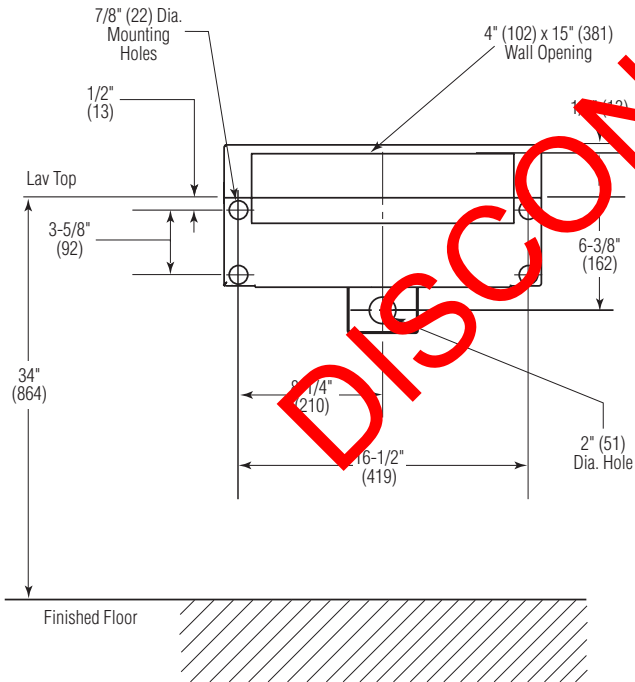
**TOP VIEW**



**SIDE VIEW**



**ROUGH-IN DIMENSIONS  
(View is from fixture side)**



DISCONTINUED