

- Designed for economical water consumption
- Large 2" diameter welded stainless steel P-trap
- Flushing rim washes all four walls
- All units factory tested for proper operation

Specifications

Materials

All cabinet materials, including interior piping are Type 304 stainless steel. The fixture is made from heavy gauge stainless steel with seamless welded surfaces.

Construction

All welded construction with welds ground smooth to eliminate all accessible seams and voids. Urinal has washout type action. Flushing connection is 3/4" NPS male and requires a minimum of 30 PSI for flushing. P-trap is stainless steel, has a 4" seal, and will pass a 1.9" ball. P-trap is welded to the urinal and has a 2" NPT connection. Urinal features a continuous flushing rim which washes all four walls. Bottom of urinal is sloped to integrally welded high-capacity stainless steel beehive dome strainer. P-trap is fully enclosed and there are no accessible seams, voids, or crevices where contraband can be concealed. Urinal assembly meets ANSI/ASME A112.19.2.

Flush Valve

Flush valve is not included as standard equipment with the unit. Flush valve included when specified. Flush valve rated at 1.5 to 1.6 gallons per flush.

Finish

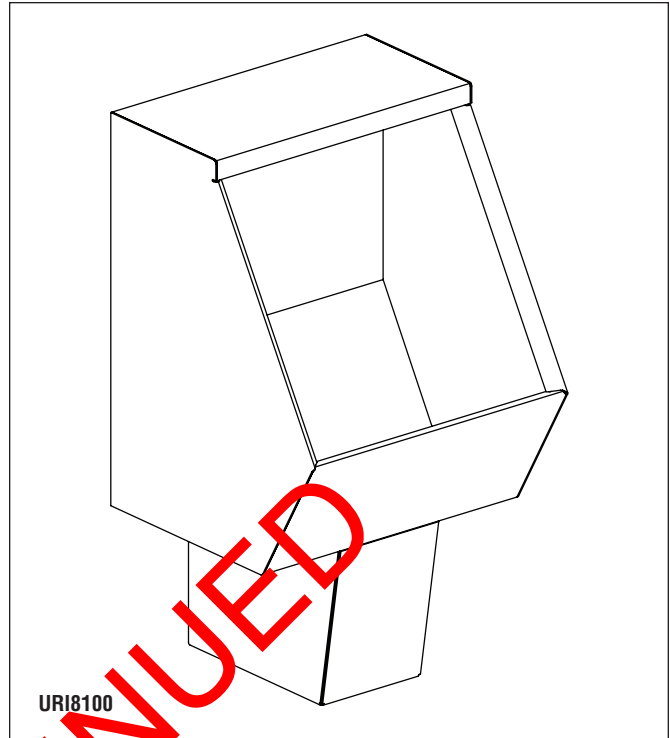
All exposed stainless steel surfaces have a bead blast finish (optional #4 satin polished finish).

Wall Anchoring

No exposed mounting fasteners in cell area – fixture is completely secured from pipe chase side with rust-resistant mounting hardware for walls up to 12" thick.



Fixture requires wall openings and accessible chase for installation and maintenance. Some field assembly may be required.



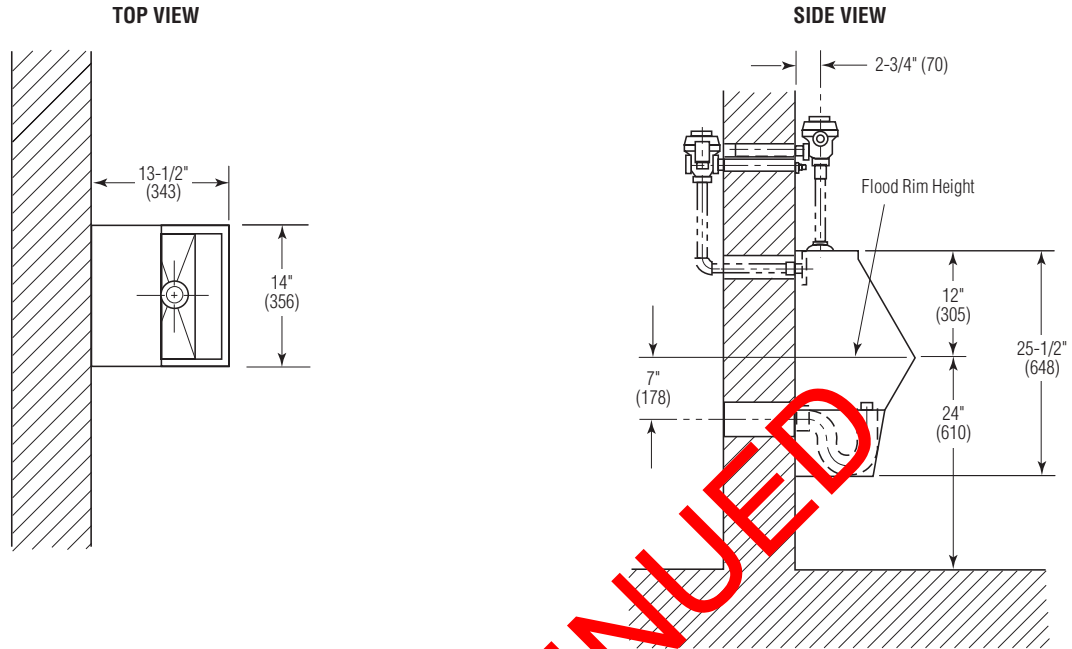
URI8100

DISCONTINUED

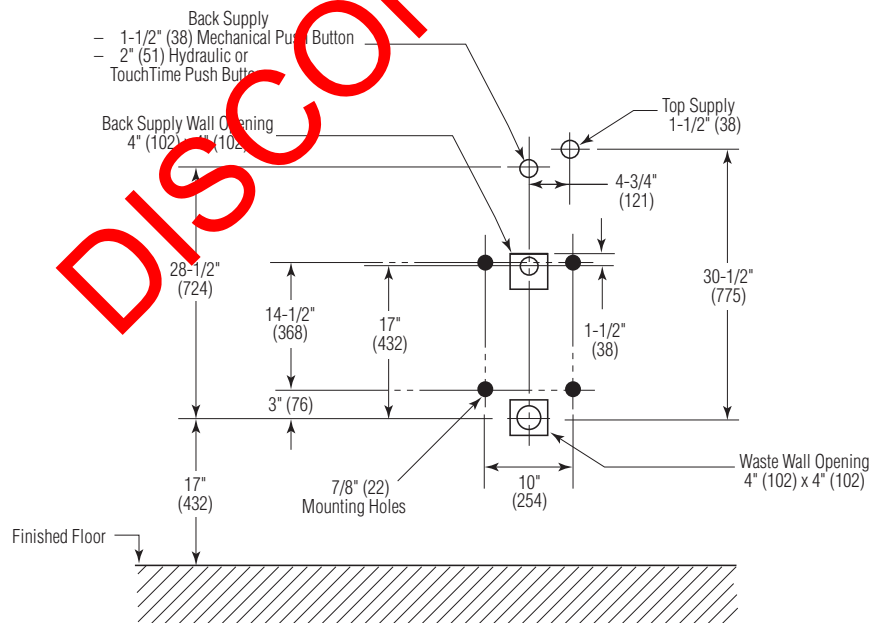
Model	Description
<input type="checkbox"/> URI8100	Chase-Mounted Stainless Steel Washout Urinal

Required Selections (Must select one from each category)	
Supply (select one):	
<input type="checkbox"/> BACK Back Supply	<input type="checkbox"/> TOP Top Supply
Finish (select one):	
<input type="checkbox"/> BB Bead Blast (Standard)	<input type="checkbox"/> PS Polished Stainless Steel
Wall Thickness (select one):	
<input type="checkbox"/> 0-4 0-4" Wall Thickness	<input type="checkbox"/> 4-8 4-8" Wall Thickness
<input type="checkbox"/> 8-12 8-12" Wall Thickness	
Flush Valve (select one):	
<input type="checkbox"/> LCCPFV Low Consumption Chrome Plated Mechanical Flush Valve	
<input type="checkbox"/> LCMFV Low Consumption Mechanical Flush Valve	
<input type="checkbox"/> LCHFV Low Consumption Hydraulic Flush Valve	
<input type="checkbox"/> LCTTFC* Low Consumption Touchtime® Electronic Flush Valve	
<input type="checkbox"/> NFV No Flush Valve	

*Touchtime® requires use of transformer (24VAC) available from Bradley. (See separate Technical Info)



ROUGH-IN DIMENSIONS
(View from Fixture Side)



DISCONTINUED