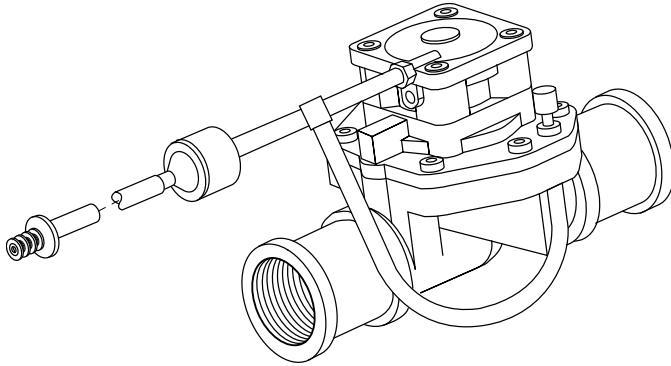


Installation



FBM

**Mechanical Floodbuster
S95-447 (for Combination Units)
S91-060 (for Water Closets)**

Table of Contents

Supplies Required	2
Floodbuster Components	2
Installation Instructions	3



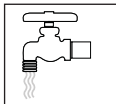
IMPORTANT!



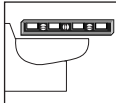
Read this entire installation manual to ensure proper installation. When finished with the installation, file this manual with the owner or maintenance department. Compliance and conformity to local codes and ordinances is the responsibility of the installer.



Separate parts from packaging and make sure all parts are accounted for before discarding packaging material. If any parts are missing, do not begin installation until you obtain the missing parts.



Make sure that all water supply lines have been flushed and then completely turned off before beginning installation. Debris in supply lines can cause valves to malfunction.



The combination unit or water closet must be installed (following the installation instructions provided with your unit) before beginning installation of the Floodbuster Valve. Make sure that the unit's water closet bowl is level before final tightening of nuts.



Product warranties may be found under "Products" on our web site at bradleycorp.com.

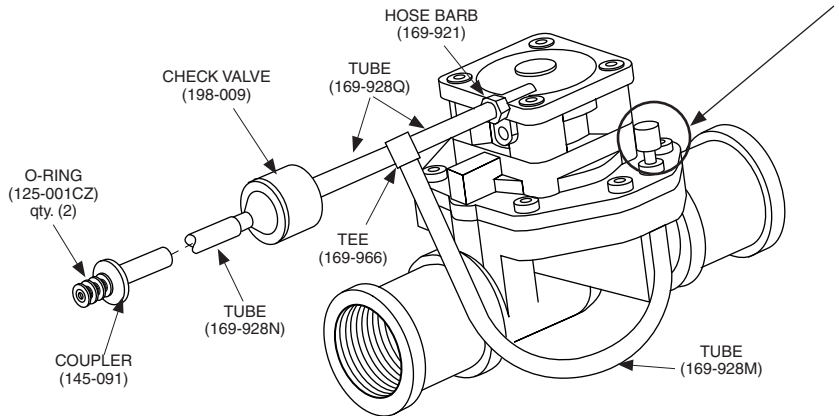
Supplies Required by Installer:

- teflon tape or pipe sealant
- 1" NPT x 3" long (maximum) pipe nipple
- flush valve (available from Bradley as an option)



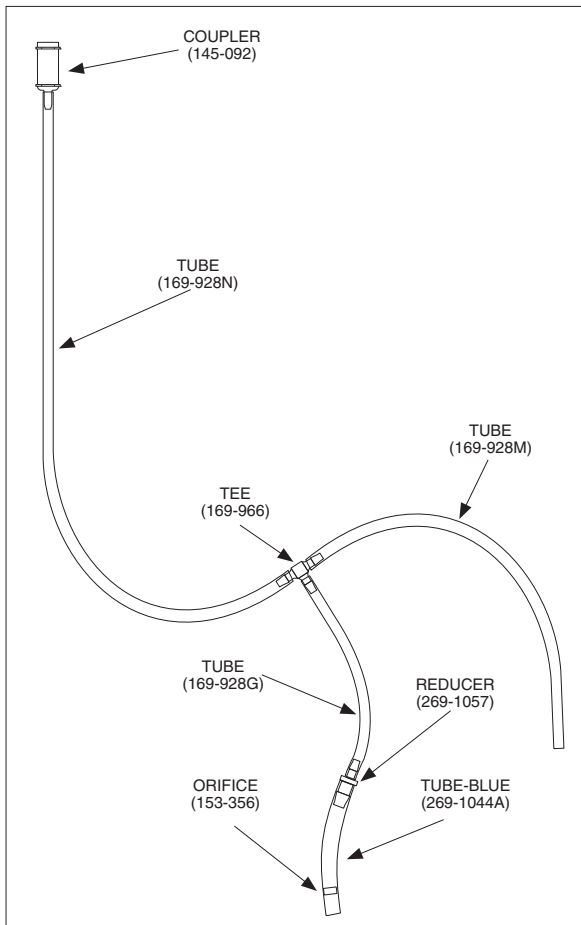
Use teflon tape or pipe sealant on all pipe thread connections.

Floodbuster Components

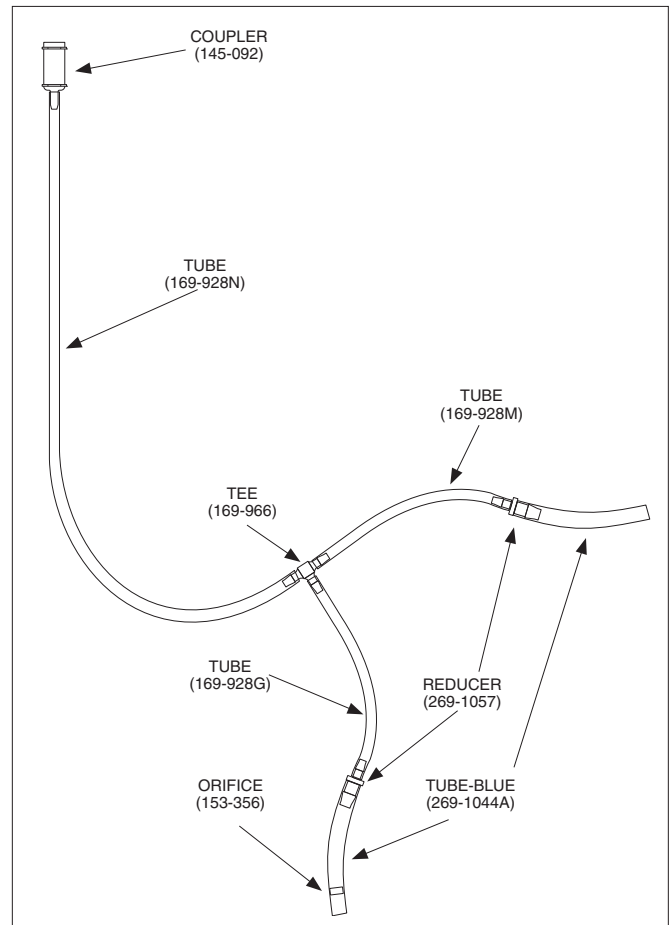


To enable a unit that has been disabled by a Floodbuster, press the push button actuator on the Floodbuster valve for a minimum of two seconds.

Floodbuster Harness for Combination Units (S45-1289)



Floodbuster Harness for Water Closets (S45-1290)



1 Installation for Combination Units



Access panel on the side of the unit has been removed for clarity.

A Install the flush valve and connect the supply pipe.

B Install a 1" NPT x 3" (maximum) pipe nipple (supplied by installer).

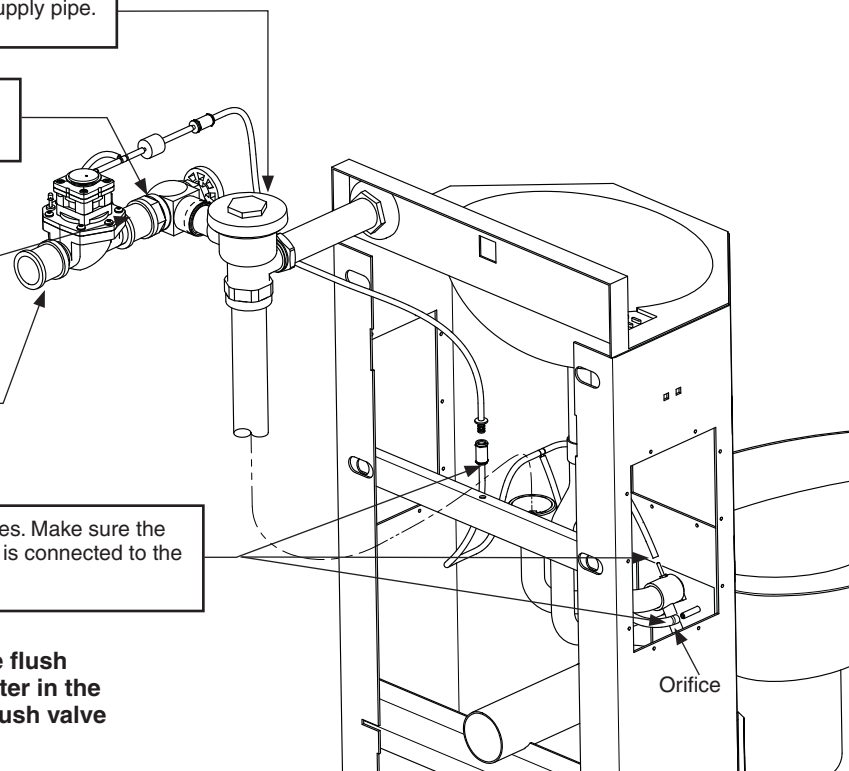
C Connect the Floodbuster to the pipe nipple. The arrow on the bottom of the Floodbuster valve should point in the direction of the water flow to the flush valve.

D Connect the water supply (1" NPT inlet).

E Connect the harness at three places. Make sure the end of the harness with the orifice is connected to the proper sensor tube as shown.



After installation is complete, actuate the flush valve noting the discharge rate of the water in the bowl. Adjust the volume control on the flush valve to obtain an adequate flushing action.



2 Installation for Water Closets

A Install the flush valve and connect the supply pipe.

B Install a 1" NPT x 3" (maximum) pipe nipple (supplied by installer).

C Connect the Floodbuster to the pipe nipple. The arrow on the bottom of the Floodbuster valve should point in the direction of the water flow to the flush valve.

D Connect the water supply (1" NPT inlet).

E Connect the harness at three places. Make sure the end of the harness with the orifice is connected to the proper sensor tube as shown.



After installation is complete, actuate the flush valve noting the discharge rate of the water in the bowl. Adjust the volume control on the flush valve to obtain an adequate flushing action.

