

Model No. 1052 Pressure-Balancing Temperature Control Box Recessed

Specifications

These controllers are recommended for small installations and isolated locations. They will deliver up to 7.0 GPM with minimum pressure of 45 PSI and adequate volume of water. Controllers will handle up to three showerheads when showerhead flow is limited to 2.5 GPM.

Materials

Box is constructed of 18 gauge Type 304 stainless steel. Baffles are 22 gauge.

Construction

All seams are heliarc welded and ground smooth to eliminate voids. The door incorporates concealed hinges, and comes equipped with a cam-and-cylinder lock furnished with two keys.

Equa-Flo Valve

Diaphragm-actuated mechanism compensates instantly for pressure fluctuation in either hot or cold water supply. This valve does not recognize temperature fluctuation. In the event of a pressure failure of either the hot or cold water source, valve will shut down immediately to a trickle. Pressure-balancing mechanism replaceable as a cartridge unit. No calibration required. Replaceable hot and cold shutoff seals with water pressure.

Temperature Gauge

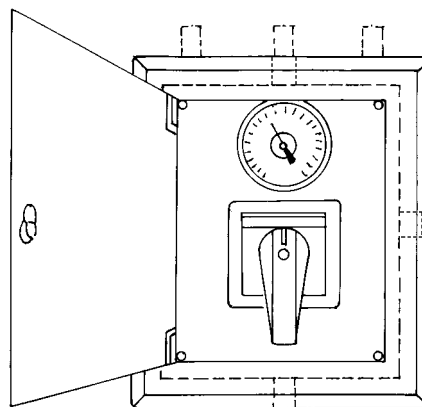
Stainless steel case. Calibrated from 0° to 200° F.

Finish

All exposed stainless steel surfaces are polished to a #4 satin finish. Exposed valve parts are chrome-plated.

Wall Anchoring

Box is furnished with four stainless steel clips which provide secure means for anchoring to wall construction.



Model 1052

Standard Equipment

Temperature controller box with locking door and two keys. Equa-Flo pressure balancing valve furnished with check stop in each supply. Temperature gauge calibrated from 0° to 200° F.

Sample Specification

Pressure balancing mixing valve shall be Bradley No. _____ Cabinet assembly furnished complete with thermostatic mixing valve, with a maximum temperature of 115° F and angle check stops on inlets. Dial thermometer on outlet shall have a range of 0° to 200° F (-18° to 93° C). Cabinet shall be fabricated of 18 gauge, Type 304 stainless steel with concealed hinges, 22 gauge door-and-cylinder type lock. All exposed parts are polished to a #4 satin finish. Exposed valve parts are chrome-plated.

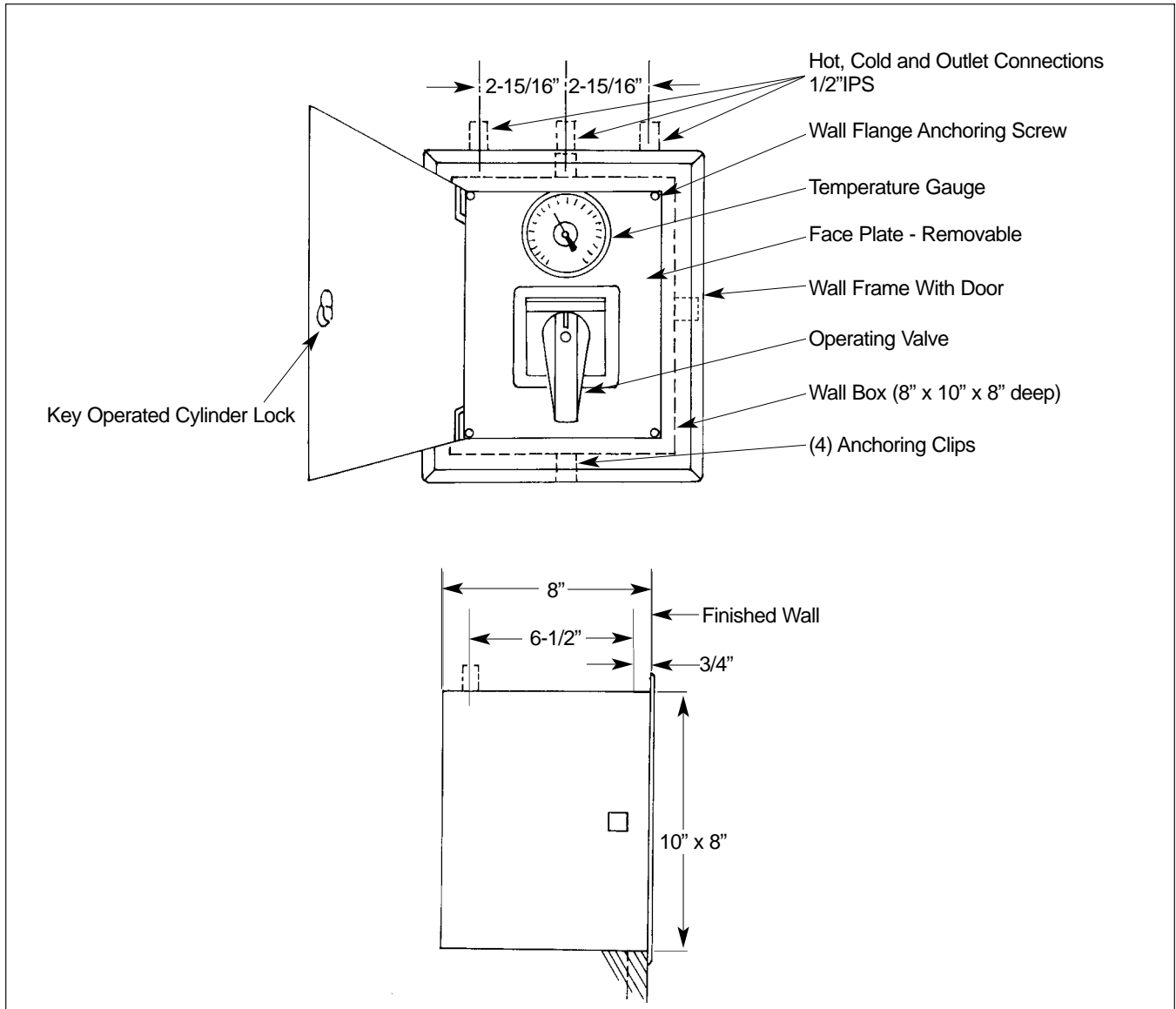
Document No. 7510

This information is subject to change without formal notice.
1199RSSEH (2 pages total)

Bradley 

P.O. Box 309, Menomonee Falls, WI 53052-0309
Phone 1-800-BRADLEY FAX 262-251-5817
Web Site: <http://www.bradleycorp.com>
Technical Information Fax Service: 1-800-BRADFAX

Model No. 1052 Pressure Balancing Temperature Control Box Recessed



Document No. 7510

This information is subject to change without formal notice.
1199RSSEH (2 pages total)

Bradley 

P.O. Box 309, Menomonee Falls, WI 53052-0309
Phone 1-800-BRADLEY FAX 262-251-5817
Web Site: <http://www.bradleycorp.com>
Technical Information Fax Service: 1-800-BRADFAX