

- Reliable Wax-Filled Thermostat
- Optional Checkstops on Inlets
- Adjustable Set Point within Temperature Range
- Positive Shut-off of Hot Supply When Cold Supply is Lost
- Easy Installation and Serviceability
- Meets ASSE 1016 Standards
- Dirt and Lime Resistant
- Factory Assembled and Tested
- Universal Mounting Capability
- Standard NPT Plumbing

Specification

Thermostatic water mixing valve shall consist of a piston control mechanism with positive shut-off of hot water when cold water supply is lost. Construction shall be bronze body and cap with replaceable corrosion resistant components, including stainless steel piston and liner.

Valve Specifications

Maximum Operating Pressure

125 PSI (860 kPa)

Maximum Inlet Temperature

200° F (93° C)

Temperature Range*

Std. 90° F (32° C) to 110° F (43° C)

Set Point

105° F (41° C)

Flow Capacities – GPM (L/Min)

| Model | Min Flow | Pressure Drop – PSI (Bar) | | | | | | | |
|----------|-----------|---------------------------|------------|------------|------------|------------|------------|------------|--|
| | | 5 (.5) | 10 (1.0) | 15 (1.5) | 20 (2.0) | 30 (2.5) | 45 (3.0) | 60 (4.0) | |
| S59-2006 | 0.5 (2.0) | 2.0 (10.0) | 3.5 (16.0) | 4.5 (20.5) | 5.0 (24.5) | 6.5 (27.5) | 8.0 (30.9) | 9.5 (33.5) | |

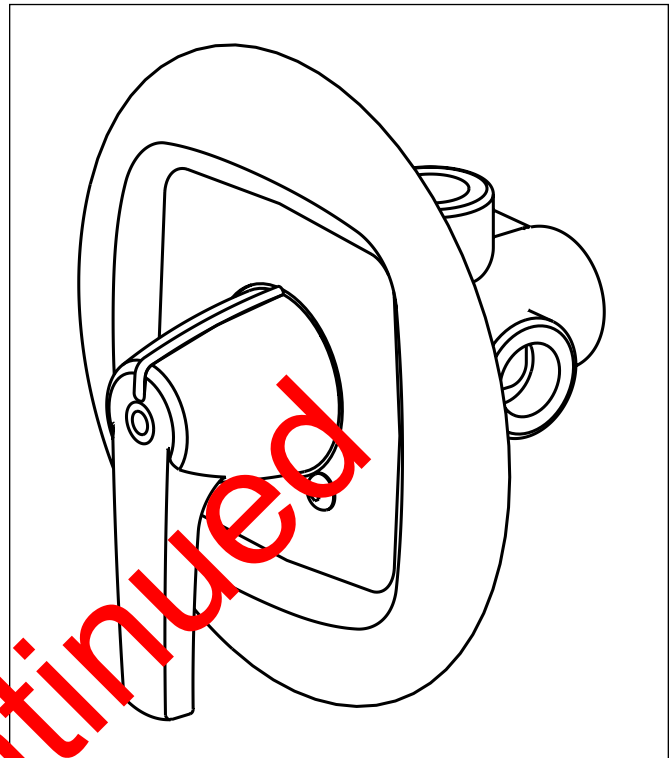
* Temperature range is based on a hot water inlet of at least 125° F (53° C). Exact temperature range may vary slightly.

Optional Selections

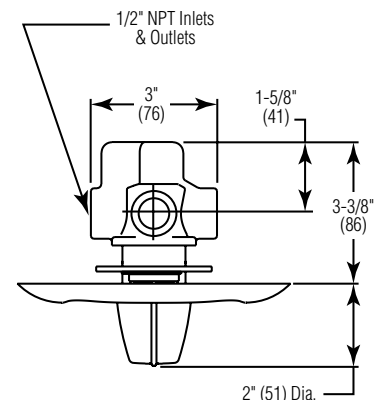
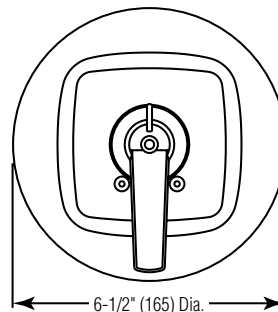
Checkstops

IS Individual Stops for Valves

NAVIGATOR



Dimensions (mm)



Engineer's Approval _____