

Installation Instructions

1W (Bradsole), 2W, 3W, 1K & 1F

Econo-Wall™ Showers

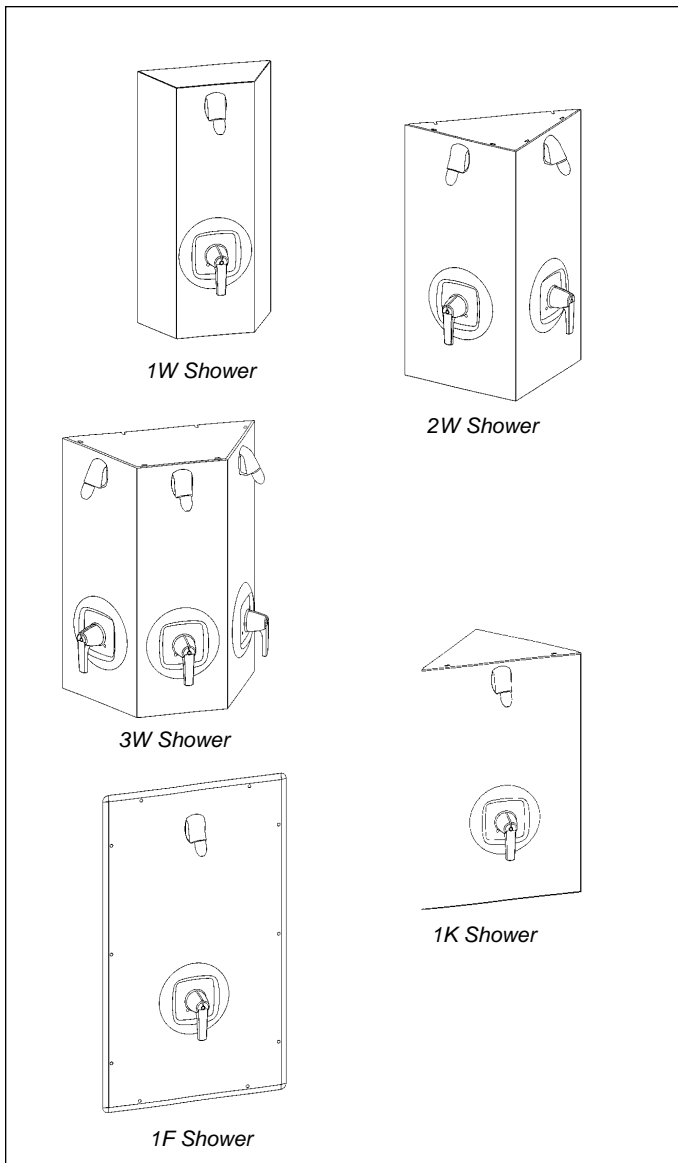


Table of Contents

Pre-Installation Information	2
Econo-Wall™ Shower Dimensions	3
Installation Instructions	
1W, 2W and 3W Econo-Wall™ Showers	4-5
1F Econo-Wall™ Shower	5
1K Econo-Wall™ Shower	6
Optional Shroud Installation Instructions	
1W, 2W and 3W Shower Shrouds	7
1K Shower Shroud	8
Service Instructions	
Cleaning Stainless Steel	9
Diverter Valve	9
Hot, Cold & Single Compression Valves	10
Bradrol™ Valve	10
Pressure-Balancing Mixing Valve	11
Thermostatic Mixing Valve	12



IMPORTANT:

Read and save this manual, which contains maintenance and repair information, for future reference.



Pre-Installation Information

Overview

One set of plumbing connections to a shower serves 1, 2 or 3 people, saving space and conserving water. Econo-Wall™ showers can be installed at any height.

Recommended Shower Heights

Standard	6'0" (1.83m)
Juvenile	5'6" (1.68m)

Components

Material: The shower panel and covers are constructed of 18-gauge, type 304 polished stainless steel. Other exposed parts of the showers are stainless steel or polished chrome-plated brass. Supply piping and fittings are wrought copper or cast brass.

Supply Inlets: Supply inlets are copper tube accessible through the back of the shower or through top cover of shower. 1F shower supply inlets fabricated of flexible stainless steel hose.

Supplies required for installation:

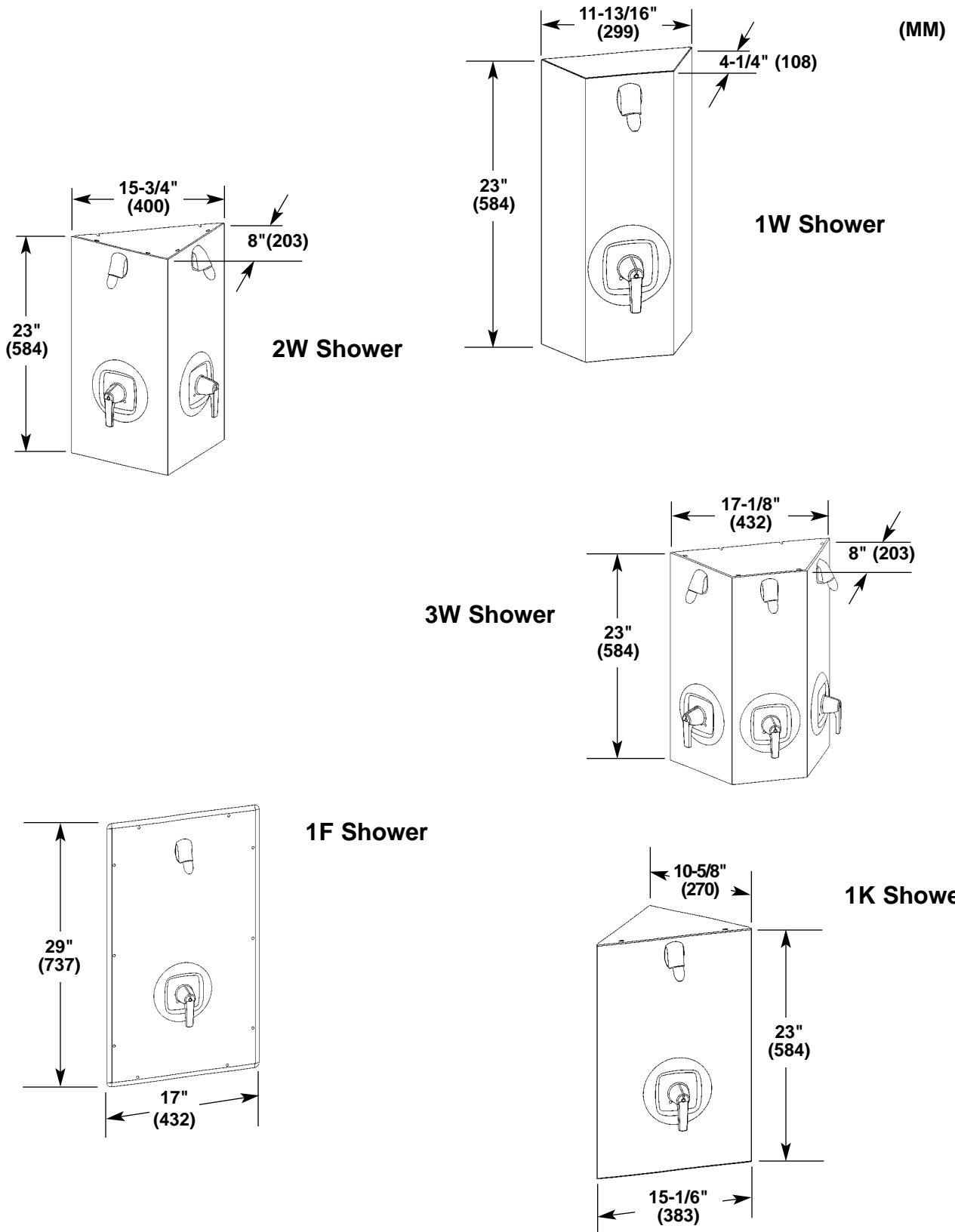
- Water supply inlets for 1/2" type "L" copper tube for 1K and 1W showers
- Water supply inlets for for 3/4" type "L" copper tube for 2W and 3W showers
- 1/2" IPS supply inlets for 1F shower
- Wall anchors and 1/4" diameter screws for mounting support bracket(s)
- 1/4"-20 wall anchor for 1F shower
- (OPTIONAL) 1/4" diameter screws for mounting shroud brackets

Bradley Wall-Shower™ Warranty

Bradley Corporation warrants to commercial and institutional purchasers only each unit free from defects in material and workmanship under normal use and service upon the following terms and conditions:

1. This warranty is limited to replacing or repairing, at our option, transportation charges prepaid by the purchaser, any Bradley unit or part thereof which our inspection shall show to have been defective within the limitations of this warranty.
2. The period during which Column Shower components are warranted is one (1) year, measured from the date of our invoice.
3. This warranty does not cover installation or any other labor charges and does not apply to any units which have been damaged by accident, abuse, improper installation or improper maintenance.
4. The replacement or repair of defective units as stated in this warranty shall constitute the sole remedy of the purchaser and the sole liability of Bradley Corporation under this warranty. Bradley Corporation shall not otherwise be liable under any circumstances for incidental, consequential or indirect damages caused by defects in the repair or replacement thereof.
5. This warranty extends only to commercial and institutional purchasers and does not extend to any others, including consumer customers of commercial and institutional purchasers.
6. This warranty is in lieu of all other warranties, express or implied, including any implied warranty of merchantability or fitness for a particular purpose or otherwise.

Econo-Wall™ Shower Dimensions



Installation Instructions

1W, 2W and 3W Econo-Wall™ Showers

Step 1: Rough-in piping

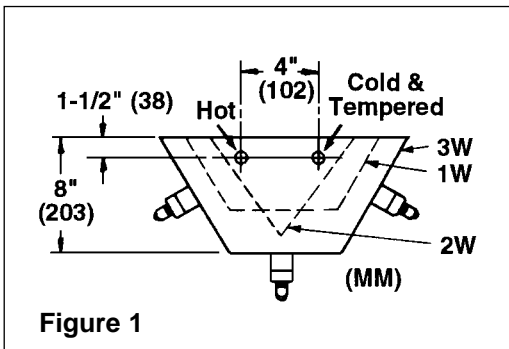
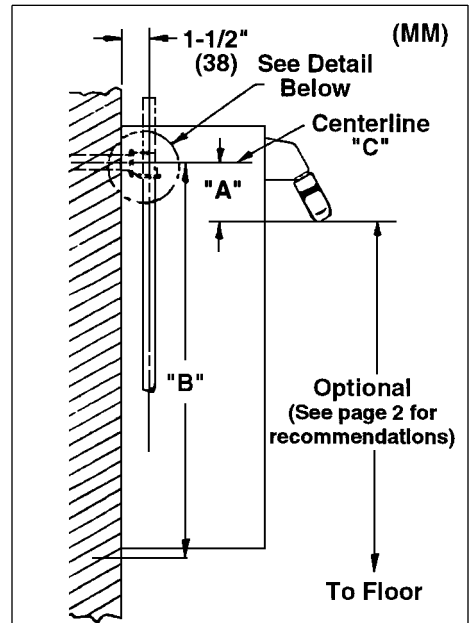
NOTE: Flush supply lines before making connections.

1. Rough-in supply piping to your shower as shown in Figures 1, 2 and 3.

NOTE: Use the cold inlet location for tempered supply.

Step 2: Install wall anchors

2. Using a bracket as a template, mark locations for wall anchors (see Figures 1, 2 and 3 for dimensions).
3. Install wall anchors for 1/4" diameter screws at marked locations (anchors and screws supplied by installer).
4. Secure two wall brackets to wall anchors with 1/4" diameter screws (supplied by installer) (see Figures 2 and 3).

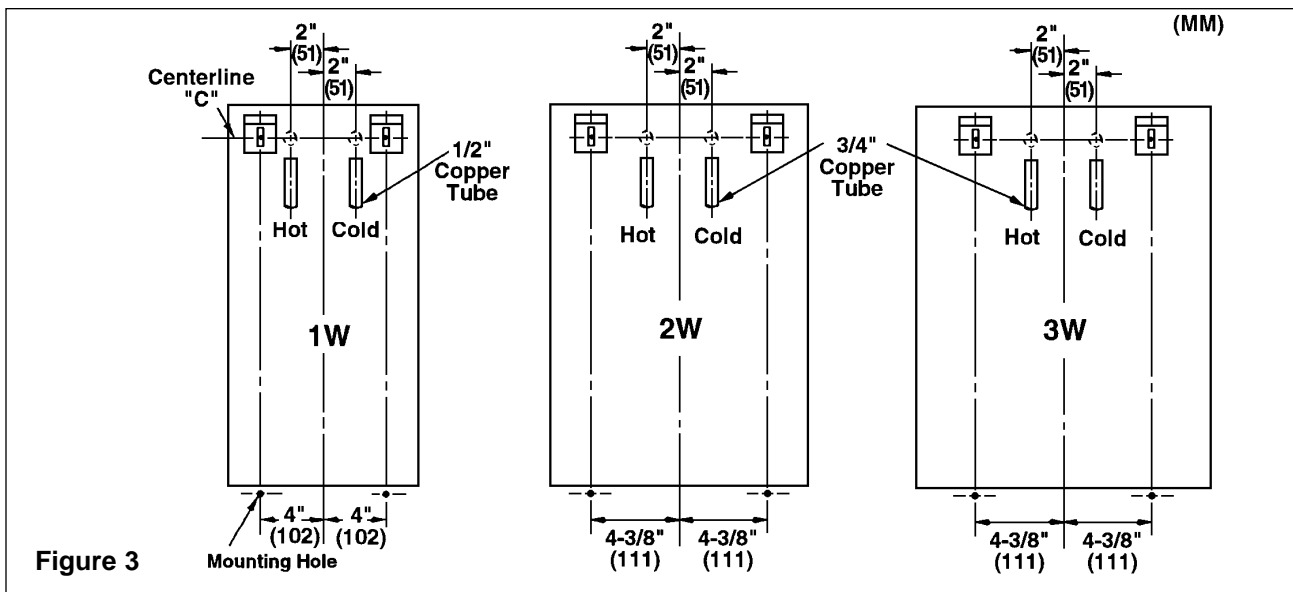


Dim.	Without Thermostatic Blender	With Thermostatic Blender
"A"	3" (76)	12" (305)
"B"	22-5/16" (567)	31-5/16" (795)

NOTE: Use of thermostatic blender extends the shower shell by 9" above the shower head tip.

Centerline "C" Slot for Bolt and Supply Lines
Support Bracket

Figure 2



Installation Instructions *continued . . .*

1W, 2W and 3W Econo-Wall™ Showers

Step 3: Install shower

1. Hang back of shower onto two wall brackets installed in Step 1.
2. Secure bracket on bottom of shower to wall with 1/4" anchors and screws (supplied by installer).

Step 4: Connect water supply

1. Connect water supply to copper tubes inside shower body.

NOTE: Supplies can be brought in from back of shower or through knockouts located on top shower.

1F Econo-Wall™ Shower

Step 1: Rough-in piping

NOTE: Flush supply lines before making connections.

1. Rough-in the wall opening a minimum of 4" deep. Rough opening must not exceed the dimensions of the broken lines (see Figure 4).
2. Rough-in 1/2" supply lines in wall opening.

NOTE: Terminate the supplies anywhere within the broken lines (see Figure 4).

Step 2: Install wall anchors

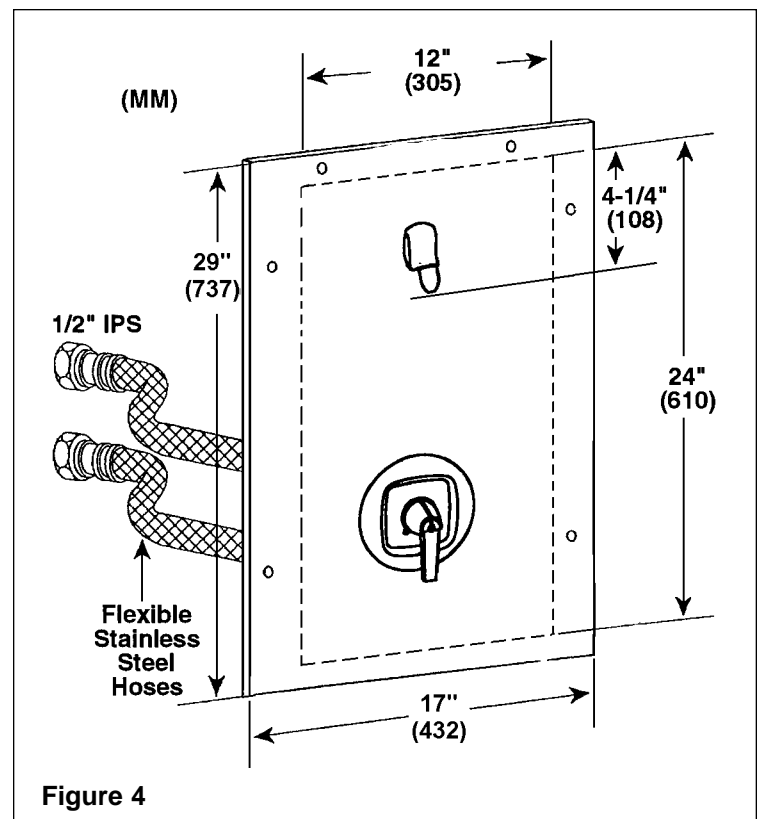
1. Using the front panel of shower as a template, mark the wall anchor locations.
2. Install wall anchors (supplied by installer) for 1/4"-20 screws (supplied) at the marked wall anchor locations.

Step 3: Connect water supply

1. Connect stainless steel hoses on back of shower to 1/2" supply inlets (see Figure 4).

Step 4: Install shower

1. With supply inlets connected, place shower into rough opening.
2. Secure shower to wall anchors with eight wall fastener screws provided.



Installation Instructions *continued* . . .

1K Econo-Wall™ Shower

Step 1: Rough-in piping

NOTE: Flush supply lines before making connections.

1. Rough-in supply piping to shower as shown in Figures 5 and 6.

NOTE: Use the cold inlet location for tempered supply.

Step 2: Install wall anchors

1. Using a bracket as a template, mark the wall anchor locations (see Figure 6 for dimensions).
2. Install wall anchors for 1/4" diameter screws (supplied by installer) and secure the two wall brackets to anchors (hardware supplied by installer) (see Figures 5 and 6).

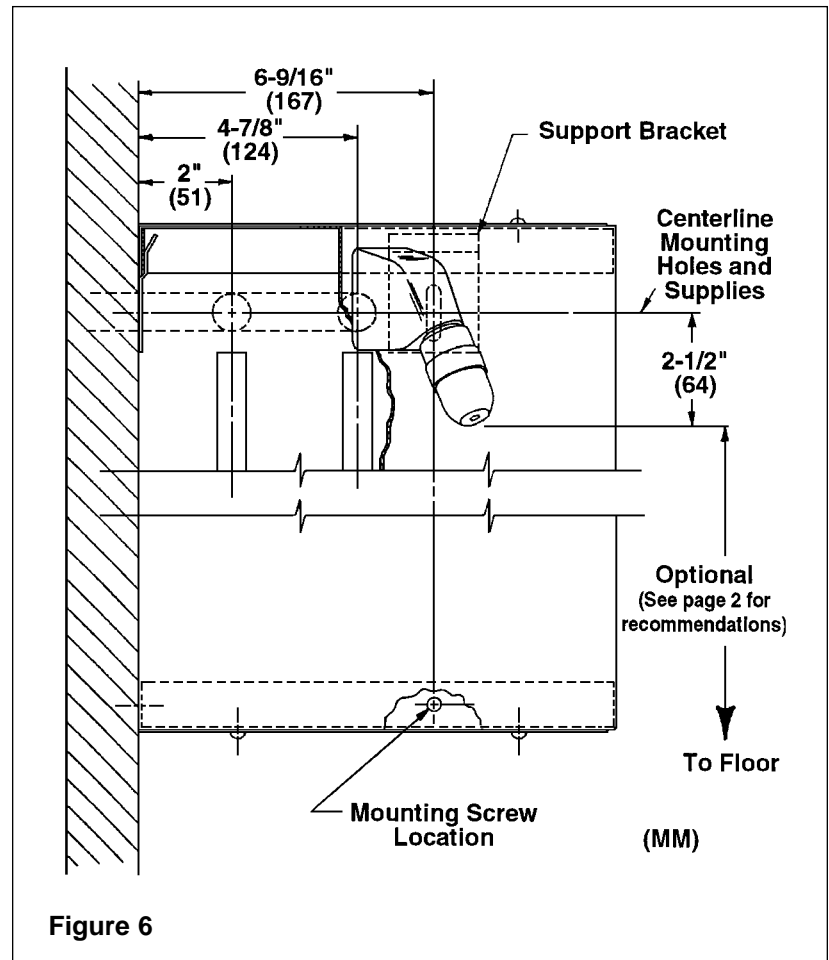
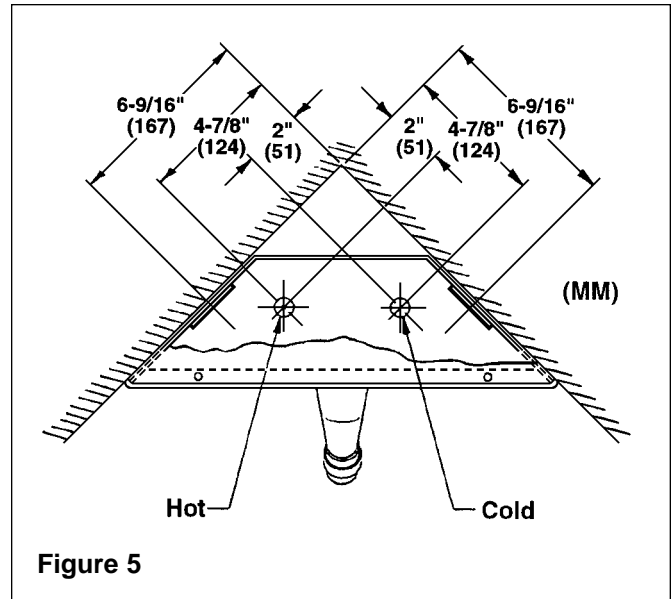
Step 3: Install shower

1. Hang shower onto two wall brackets installed in Step 2.

Step 4: Connect water supply

NOTE: Supplies can be brought in from back of shower or through a knock-out access hole on top of shower.

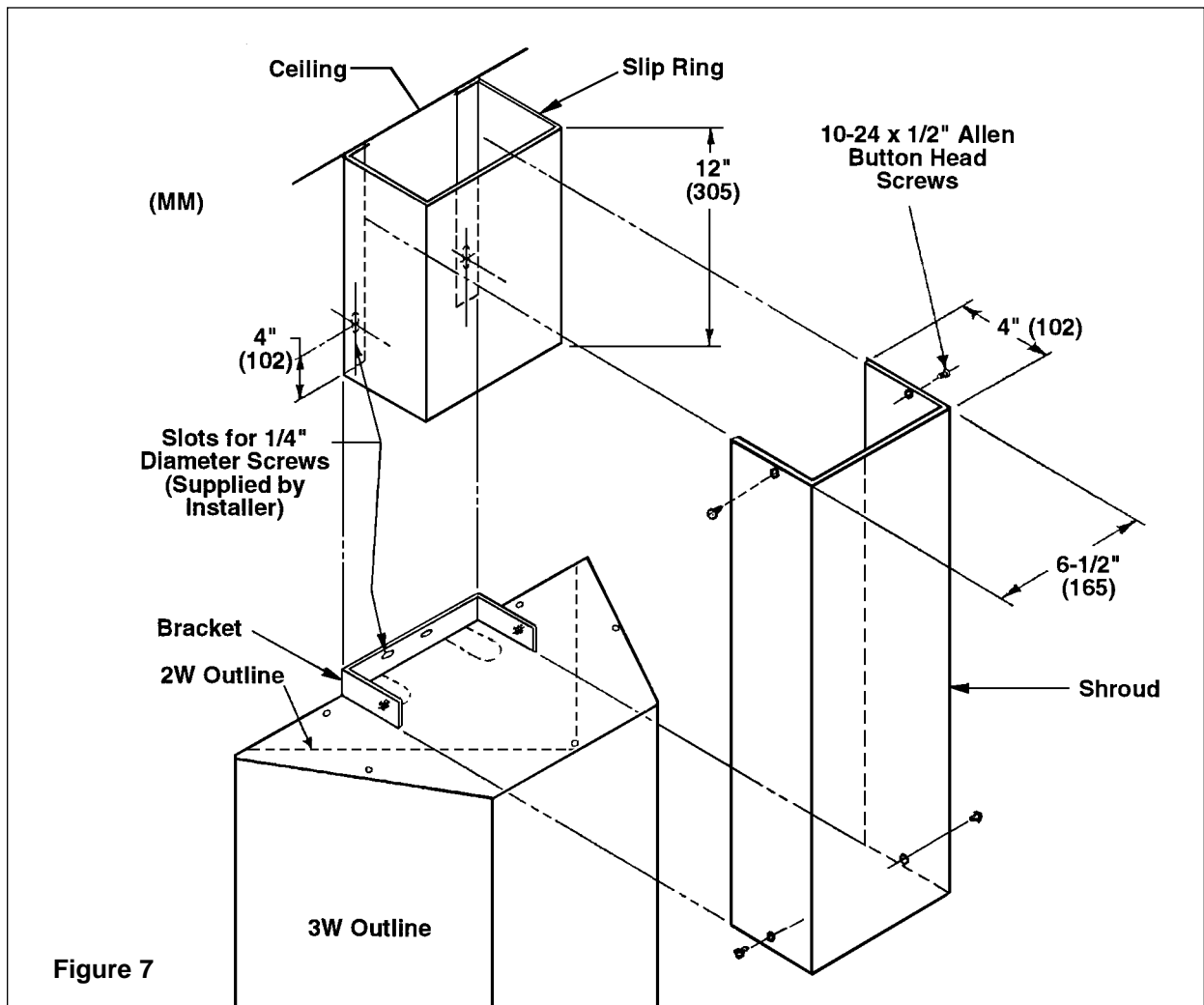
1. Connect water supply to 1/2" type "L" copper tubes inside shower body.



Installation Instructions *continued* . . .

1W, 2W, and 3W Shower Shroud Installation (Optional)

1. Position wall bracket on top of shower as shown in Figure 7 and secure with 1/4" diameter screws (supplied by installer).
2. Position slip ring against ceiling and in line with bracket (see Figure 7).
3. With bracket and slip ring secured, position shroud in place and secure shroud to lower bracket with screws provided (see Figure 7).
4. Using holes at top of shroud as a template, drill and tap #10-24 holes in slip ring.
5. Secure shroud to slip ring with #10-24 screws provided (see Figure 7).



Installation Instructions *continued* . . .

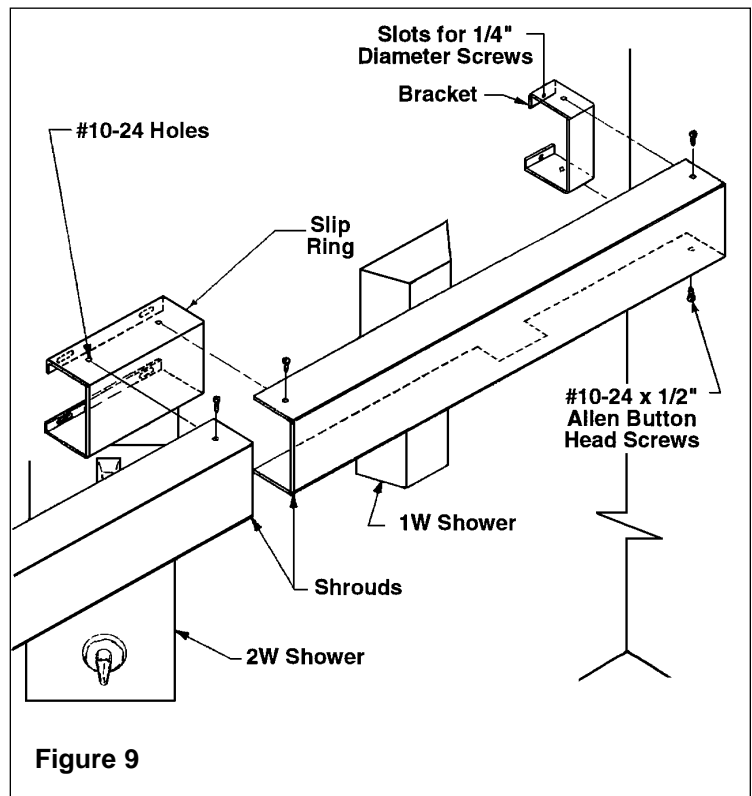
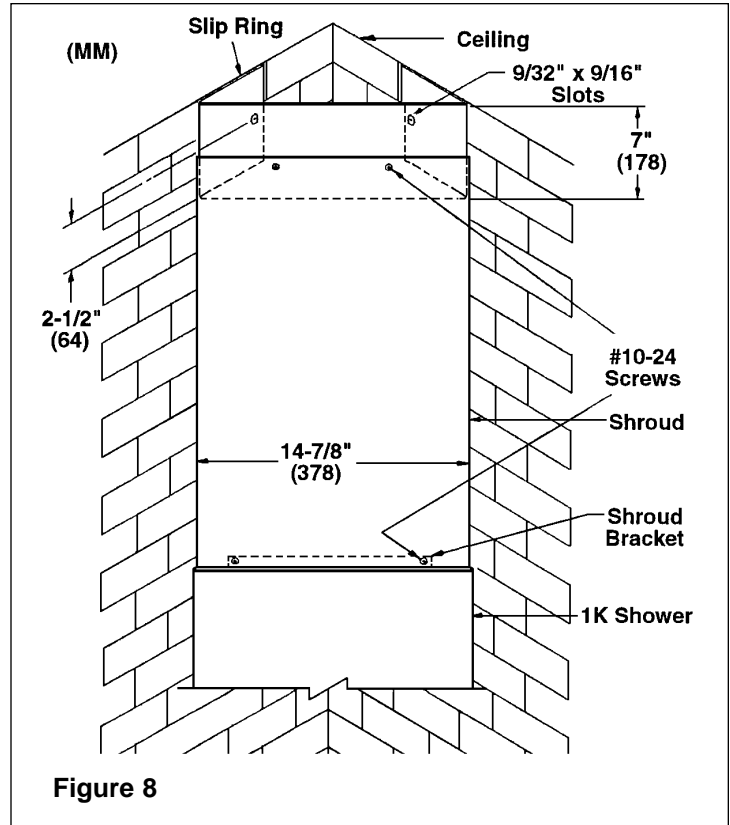
1K Shower Shroud Installation (Optional)

1. Position slip ring against ceiling as shown in Figure 8 and secure with 1/4" diameter screws (supplied by installer).
2. Position shroud bracket on shower and secure bracket to shower with screws provided (see Figure 8).
3. Position shroud to shroud bracket and secure shroud to bracket with screws provided.
4. Using holes at top of shroud as a template, drill and tap #10-24 holes in slip ring.
5. Secure shroud to slip ring with #10-24 screws provided (see Figure 8).

Horizontal Shroud Installation (Optional)

1. Position bracket and slip ring in place on wall where desired and secure to wall with 1/4" diameter screws (supplied by installer) (see Figure 9).
2. Position shroud in place over the bracket and secure shroud to bracket with #10-24 x 1/2" screws provided (see Figure 9).
3. Using shroud as a template, drill and tap #10-24 holes (use 5/32 drill) in slip ring. Secure shroud to slip ring with #10-24 x 1/2" screws provided (see Figure 9).

NOTE: Shroud mounting holes may be punched in front face of shroud.



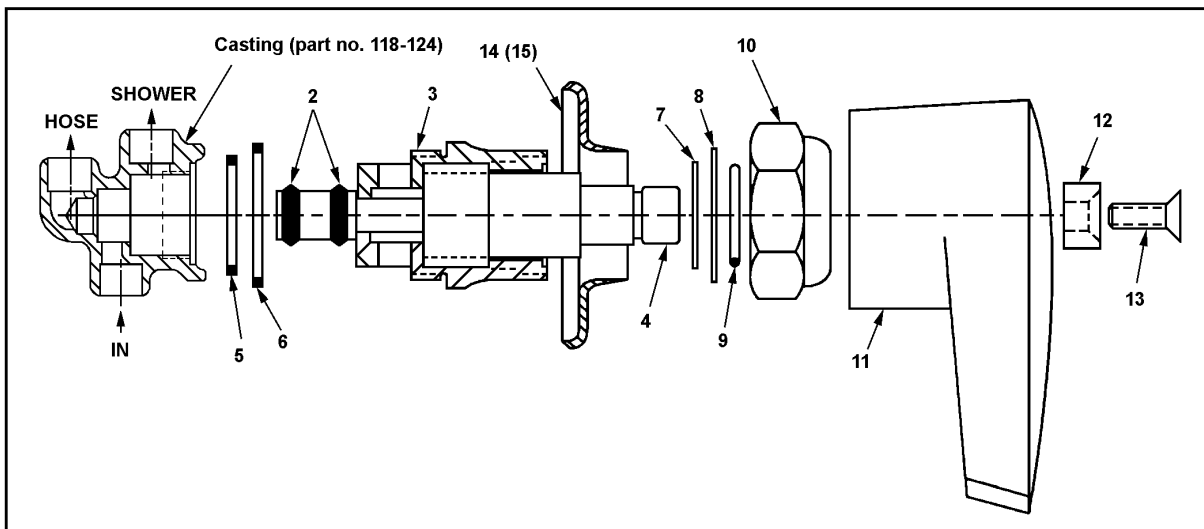
Cleaning Instructions



IMPORTANT: Cleanliness is of utmost importance. Do not permit salty solutions to evaporate and dry on stainless steel. Never use ordinary steel wool or steel brushes on stainless steel. Always use stainless steel wool or stainless steel brushes.

1. Remove ordinary deposits of dirt and grease with soap and water. Whenever possible, the metal should be thoroughly rinsed and dried after washing.
2. Use stainless steel polishing powder to get rid of tightly adhering deposits.
3. Look for the source of the rust in some iron or steel not actually a part of the stainless steel structure. Sometimes the appearance of rust streaks on stainless steel leads to the belief that the stainless steel is rusting. A steel nail or screw may be the cause of the trouble.
4. If the showerhead delivers an uneven spray, remove the showerhead from the unit, disassemble, and remove foreign matter.
5. Reassemble showerhead and reinstall into unit.

Column and Wall Shower Diverter Valve



Diverter Assembly for Columns (Part No. S45-323)

Diverter Assembly for Wall Showers (Part No. S45-444)

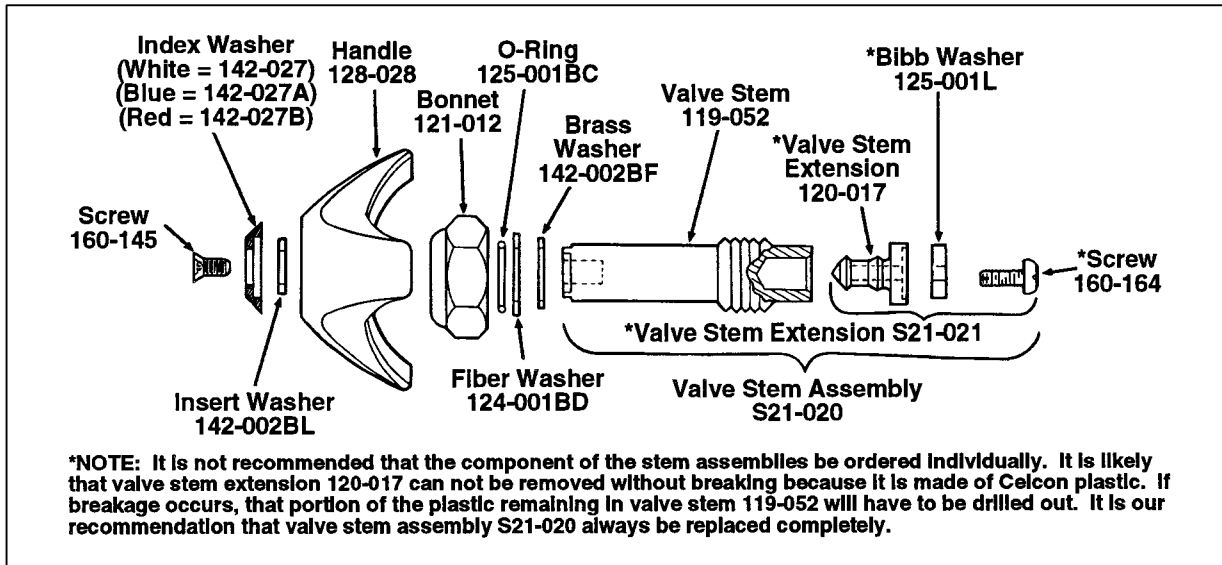
NOTE: Does not include casting (part no. 118-124).

NOTE: Does not include lubricant (Item #1). Order lubricant separately; apply lubricant to O-Rings.

Service Parts List

ITEM	PART NO.	QTY.	DESCRIPTION	ITEM	PART NO.	QTY.	DESCRIPTION
1	S45-125	1	TUBE (LUBRICANT)	9	125-001BC	1	"O"-RING
2	125-001CJ	2	WASHER	10	121-012	1	BONNET
3	118-126	1	VALVE BODY	11	128-050	1	HANDLE
4	120-028	1	STEM	12	153-163	1	INSERT
5	124-001BU	1	WASHER	13	160-225	1	SCREW
6	124-001K	1	WASHER	14	150-035	1	ESCUTCHEON - FLAT
7	142-002BF	1	WASHER	15 *	150-004	1	ESCUTCHEON - COLUMN
8	124-001BD	1	WASHER				

Hot, Cold, and Single Bradley Compression Shower Valve



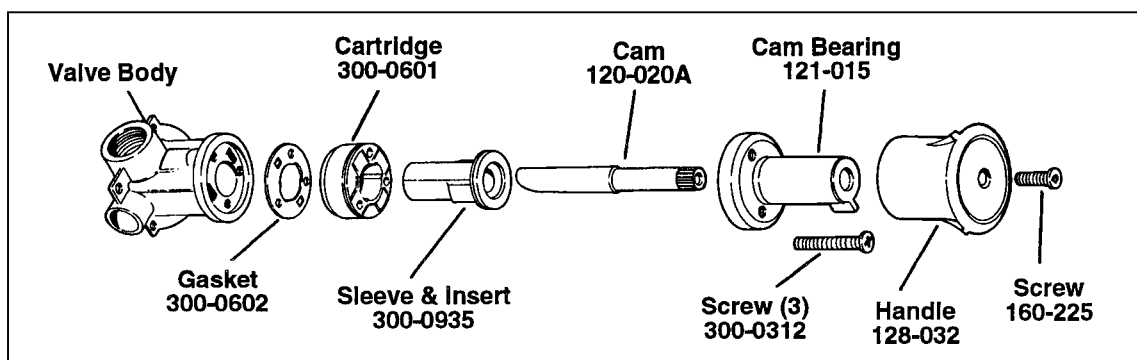
Repair Kits

- S02-031 Complete valve stem and handle assembly with White Index Washer (tempered)
- S02-031A Complete valve stem and handle assembly with Blue Index Washer (cold)
- S02-031B Complete Valve stem and handle assembly with Red Index Washer (hot)

Used in Conjunction with the Following Parts:

- 118-009 Valve Body
- 124-001K Fiber Washer for Valve Body
- 117-002 Valve Seat
- 150-035 Escutcheon

Bradley Bradtrol™ Valve



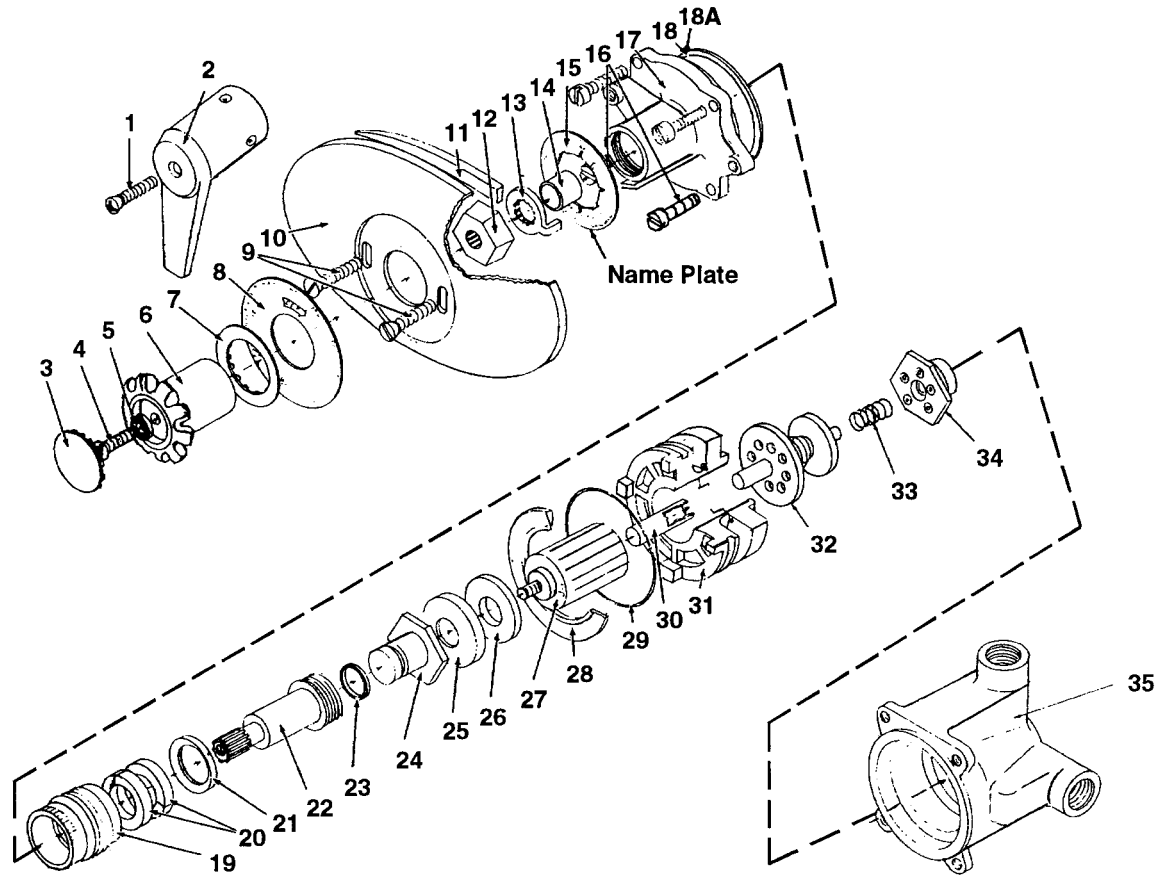
Bradley Repair Kit No. 300-0760 Includes:

- 300-0935 Sleeve and Insert
- 300-0602 Gasket
- 300-0601 Cartridge

Valve Assembly S21-025 Includes:

- 300-0602 Gasket
- 300-0601 Cartridge
- 300-0935 Sleeve and Insert
- 120-020A Cam
- 121-015 Cam Bearing
- 300-0312 Screws (3)

Bradley Thermostatic Mixing Valve



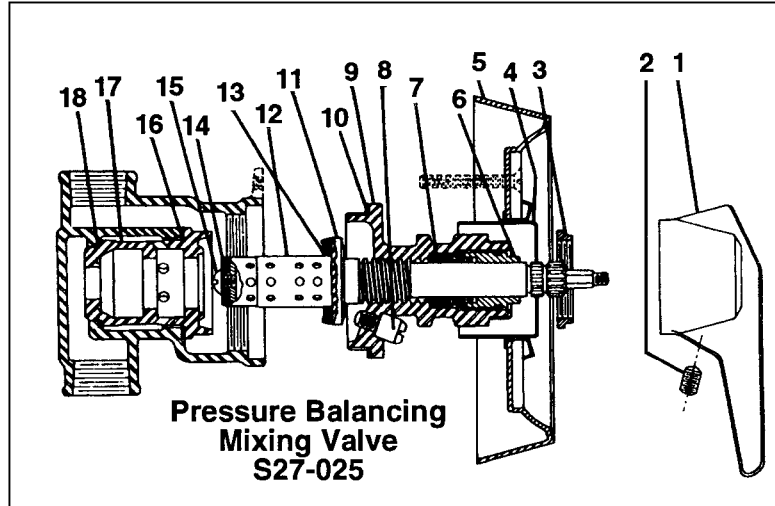
No.	Description	No.	Description	No.	Description	No.	Description
1	Screw	10	Dial Plate	18A	Bonnet O-Ring	27	Thermal Motor
2	Lever Handle Assembly	11	Gasket	19	Packing Gland	28	Spacer Ring
3	Plug Button	12	Handle Adaptor	20	Packing Rings	29	Combination Seat O-Ring
4	Screw	13	Temperature Stop	21	Packing Stop Ring	30	Motor Sleeve
5	Washer	14	Spacer Sleeve	22	Adjustable Stem	31	Combination Seat
6	Handle	15	Identification Tag	23	Motor Quad Ring	32	Valve Assembly
7	Retainer	16	Screws	24	Shut-Off Disc Nut	33	Valve Return Spring
8	Dial Insert	17	Bonnet	25	Shut-Off Disc Retainer	34	Hot Water Seat
9	Screw	18	Bonnet Gasket	26	Shut-Off Disc	35	Body Port

Figures courtesy of MCC Powers Process Controls, Skokie, Illinois

Bradley Pressure Balancing Mixing Valve

No.	Qty.	Part No.	Description
1	1	169-264	Handle
2*	1	169-265	Handle Screw
3	1	169-397	Dome Lock Nut
4	1	169-398	Dome Cover
5	1	S27-091	Escutcheon and Screw
6	1	169-399	Packing Nut
7*	1	169-266	Packing
8	1	S27-092	Limit Stop Assembly
9	1	169-401	Cap
10*	1	169-402	Cap Gasket
11*	1	169-259	Cold Washer Retainer
12	1	169-404	Flow Control Spindle
13*	1	169-262	Cold Washer
14*	1	169-260	Hot Washer
15*	1	169-261	Hot Washer Screw
16	1	169-408	Top and Bottom Seat Gasket
17	1	169-409	Renewable Seat

*Included in Washer and Gasket Kit
 Number S65-048



Service Suggestions: Open valve to about warm position. Loosen the handle screw and remove the handle. Remove the escutcheon, unscrew dial locknut and remove the dome cover. Unscrew the valve cap with the complete assembly. Leave packing nut in place while unscrewing cap to avoid distorting end of cap. When cap is unscrewed, entire working unit may be removed.

The perforated cylinder is an integral part of flow control spindle and does not unscrew. The cylinder is hollow and contains a piston. The piston is free-moving and provides pressure-balancing feature of valve. By sliding back and forth under any variation in pressure, the piston opens or throttles hot and cold water ports to control proper delivery ratio of each, and so maintains constant even temperature. Control action is entirely automatic, and piston is sealed into cylinder, and neither cylinder nor piston should be tampered with. Under no circumstances should wrench or pliers be used on cylinder. It is a carefully machined unit and any marking or gouging will destroy its function.

The piston should be free inside cylinder at all times, and should click back and forth when assembly is shaken. After long service in rugged waters, it is possible that mineral or other deposits may block piston's action. Normally, tapping handle end of spindle against solid object will free piston. If it is so solidly plugged that this is not effective, replace entire spindle assembly.

Ordinary service requires only replacement of hot and cold washers. To replace cold washer, remove large knurled washer retainer. To replace hot washer, remove washer screw. It is essential that both hot and cold washers be replaced at same time, even if only one appears to require attention. Washer and gasket kit (S65-048) should be used for this service. Use only pressure balancing valve washers.

In extreme cases or after long years of service, body seat may require replacement. Body seat is removable after removal of the four mounting screws.

NOTE: When reassembling valve after any repairs, be sure cylinder is drawn close to cap before screwing cap back into position.

Valves are equipped with a limit stop. This stop, located below dome cover, can be used to limit temperature of tempered water discharge. TO ADJUST: Open valve and turn handle to maximum desired discharge temperature. Unscrew limit stop cap, screw in adjusting set screw until it seats. While still holding valve open to desired position, replace limit stop cap and tighten securely against its gasket.