



WS-2W-HN, WS-3W-HN Barrier-Free Econo Wall Showers

- Completely Preassembled Shower Unit
- Ideal for Barrier-Free Shower Rooms

Specifications

Materials

Shower panel is type 304 stainless steel. All other exposed parts are stainless steel or chrome-plated brass. Valve bodies are brass casting. Supply inlets are copper tubing. Grab bar is 18 gauge.

Standard Equipment

Shower Panel

Shower panel, mounting frame, and top and bottom covers constructed of 18 gauge stainless steel.

Soap Dish

Standard soap dish option (SD) is cake soap tray formed from heavy-gauge stainless steel with a satin finish. Mounted to shower panel.

Recessed soap dish option (RSD) is fabricated of type 304 stainless steel with seamless corners and burr-free edges. Overall dimensions: 7-1/8" W x 5-1/16" H x 2-3/4" D. Mounted in shower panel.

Valve Type as Selected

For more information on each valve type, please visit the Showers Valves product section on bradleycorp.com

Showerhead

Standard fixed direction adjustable spray showerhead (S15).

Hand Shower

Consisting of hand shower with on-off control, a 60" stainless steel flexible hose and post style mounting bracket to hold to shower panel. Elevated in-line backflow preventer with quick-disconnect for flexible hose.

Diverter Valve

Lever handle operation for easy transfer of water flow between fixed and hand-held shower spray.

Flow Control

A 1.5 GPM (5.7 LPM) flow control is standard. Actual flow may vary, but will not exceed 2.0 GPM (7.6 LPM) max.

Supply Inlets

Constructed of 3/4" type "L" copper tube. Inlets are accessible through the back of the shower or through knockouts in the top cover.

Optional Equipment

24" Straight Grab Bar

Fabricated of 18 gauge 1-1/2" O.D. stainless steel tubing with a 1-1/2" safety statute. Flanges are 11 gauge. Load capacity in excess of 300 lbs.

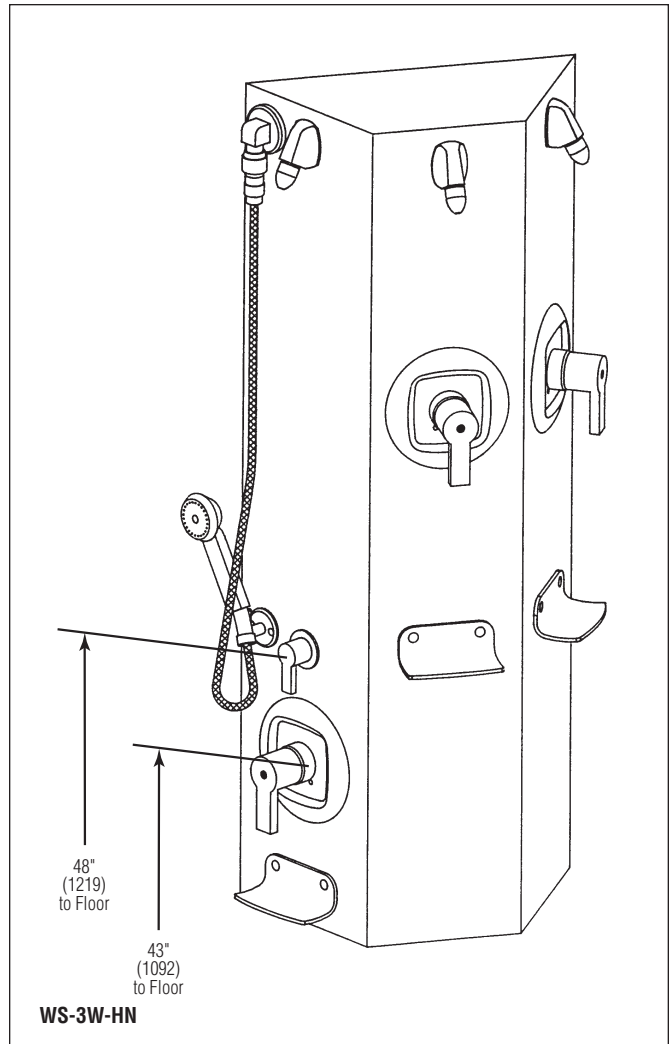
ADA Compliant Seat

Reversible phenolic shower seat. Load capacity 250 lbs. See technical data document Bradley_ShowerSeat_9569 for additional information.

ADA Requirements



The shower complies with most, but not all, ADA dimensional requirements. Check local codes prior to installation.





WS-2W-HN, WS-3W-HN Barrier-Free Econo Wall Showers

Models (Must select one)		
Model Number	Stations	Handicap Stations
<input type="checkbox"/> WS-2W-HN	2	1
<input type="checkbox"/> WS-3W-HN	3	1

Standard Selections (Must select one from each category)	
Showerhead Height (select one)	
<input type="checkbox"/> 6'-0" Standard Height	<input type="checkbox"/> 5'-6" Juvenile Height

Valve Type (select one)	
<i>Hot/Tempered and Cold Supplies</i>	
<input type="checkbox"/> EF	Equa-Flo Pressure Balancing Valve
<input type="checkbox"/> HD	Equa-Flo HD Pressure Balancing Valve
<input type="checkbox"/> TMV	Thermostatic Mixing Valve

<i>Single Tempered/Cold Supply</i>	
<input type="checkbox"/> AST	Air Pushbutton
<input type="checkbox"/> SVL	Single Compression Valve with Lever Handle
<input type="checkbox"/> TTPA	TouchTime Pushbutton**
<input type="checkbox"/> TTPB	TouchTime Piezo Switch**

Showerhead Type (select one)	
<input type="checkbox"/> S15	Standard Showerhead (Flow Rate = 1.5 GPM/5.7 LPM)
<input type="checkbox"/> SX15	Severe Service Showerhead (Flow Rate = 1.5 GPM/5.7 LPM)
<input type="checkbox"/> S20	Standard Showerhead (Flow Rate = 2.0 GPM/7.6 LPM)
<input type="checkbox"/> SX20	Severe Service Showerhead (Flow Rate = 2.0 GPM/7.6 LPM)
<input type="checkbox"/> SF	Deluxe Showerhead w/ Ball Joint (Flow Rate = 1.5 GPM/5.7 LPM)
<input type="checkbox"/> ES	Economy Soft Flow w/ Ball Joint (Flow Rate = 2.0 GPM/7.6 LPM)
<input type="checkbox"/> J	Multi-Jet Showerhead w/ Ball Joint (Flow Rate = 1.5GPM/5.7 LPM)
<input type="checkbox"/> LX	Luxury Showerhead w/ Ball Joint (Flow Rate = 1.5GPM/5.7 LPM)
<input type="checkbox"/> B	Axis Showerhead w/ Ball Joint (Flow Rate = 1.5GPM/5.7 LPM)

Valve Location (select one)	
<input type="checkbox"/> VR	Valve Right
<input type="checkbox"/> VL	Valve Left

Optional Selections	
Volume Control Type† (select one)	
<input type="checkbox"/> AKV	Allen Key Volume Control
<input type="checkbox"/> LHV	Lever Handle Volume Control
<input type="checkbox"/> NONE	No Volume Control

Ball Joint Type† (select one)	
<input type="checkbox"/> LBJ	Lockable Ball Joint
<input type="checkbox"/> NONE	No Ball Joint

Supply Stop Type (select one)	
<input type="checkbox"/> ST	Stops in Each Supply
<input type="checkbox"/> NONE	No Supply Stops

Soap Dish Type (select one)	
<input type="checkbox"/> SD	Standard Soap Dish
<input type="checkbox"/> RSD	Recessed Soap Dish
<input type="checkbox"/> NONE	No Soap Dish

Shroud Type (select one)	
<input type="checkbox"/> SHV	Vertical Shroud (floor to ceiling height _____ ft. _____ in.)*
<input type="checkbox"/> SHH	Horizontal Shroud (per 3' section)*
<input type="checkbox"/> NONE	No Shroud

Shower Seat Type (select one)	
<input type="checkbox"/> RSS	Reversible Phenolic Shower Seat
<input type="checkbox"/> NONE	No Seat

Grab Bar Type (select one)	
<input type="checkbox"/> GB	24" Straight Grab Bar
<input type="checkbox"/> NONE	No Grab Bar

Hardware Type (select one)	
<input type="checkbox"/> SC	Standard Screws
<input type="checkbox"/> VS	Vandal Resistant Screws

*Non-cancelable, non-returnable

**TTPA and TTPB valves require a low-voltage UL/CSA listed 120VAV/12VDC plug-in adapter.

† Only available on S15 and S20 showerheads.

Verify all rough-in dimensions prior to installation.

Consult local and national codes: conformity and compliance to local and national codes is the responsibility of the installer.

2.0 GPM and 2.5 GPM showerhead flow rate does not meet California Energy Commission 20 CCR T.20, Div. 2, 1601-1609.

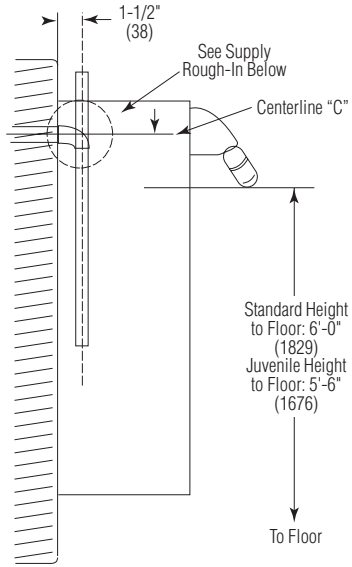


WS-2W-HN, WS-3W-HN Barrier-Free Econo Wall Showers

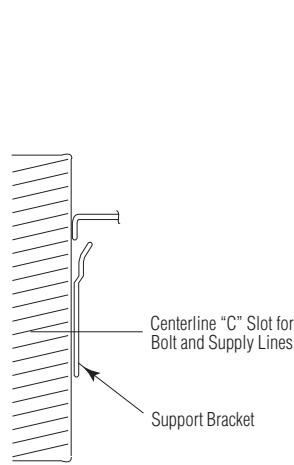
Rough-Ins

(mm)

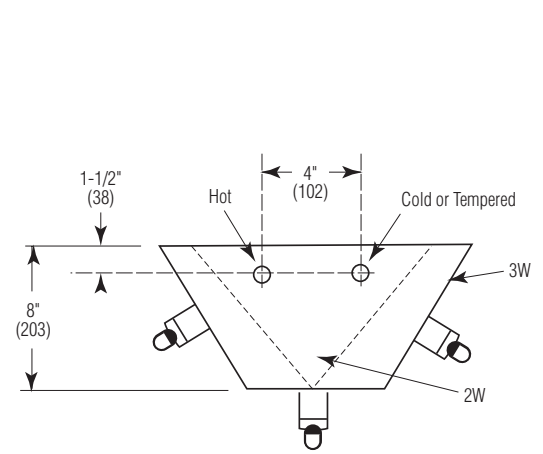
Side View



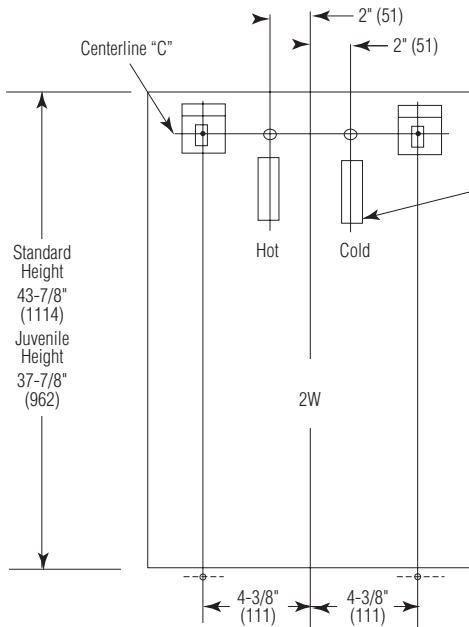
Bracket



Top View



2-Station



3-Station

