



# COL-6C-HN, COL-5C-HN, COL-4C-HN, COL-3C-HN, COL-2C-HN Barrier-Free Column Showers – 2-6 Person

## Specifications

### Construction & Materials

All exposed parts are type 304 stainless steel or polished chrome-plated brass. Drain fitting is cast iron and supply inlets are copper tubing. Internal manifold is cast brass. Grab bar is 18 gauge.

### Standard Equipment

#### Column Shower

Constructed of type 304 stainless steel. Column and column cap are 16 gauge, and base flange is 14 gauge. Valve manifold is cast brass. Access panel located near bottom of column.

#### Soap Dish

Each station on the column shower is equipped with a stainless steel soap tray.

#### Valve Type as Selected

For more information on each valve type, please visit the Shower Valves product section on [bradleycorp.com](http://bradleycorp.com).

#### Showerhead

Standard fixed direction adjustable spray showerhead (S15).

#### Diverter Valve

Lever handle operation for easy transfer of water flow between fixed and hand-held shower spray.

#### Hand Shower

Consisting of hand shower with on-off control, a 60" stainless steel flexible hose and post style mounting bracket to hold to column. Elevated in-line backflow preventer with quick-disconnect for flexible hose.

#### Flow Control

A 1.5 GPM (5.7 LPM) flow control is standard. Actual flow may vary, but will not exceed 2.0 GPM (7.6 LPM) max.

#### Drain Fitting

Cast iron with five stainless steel mounting bolts.

#### Supply Inlets

Constructed of 3/4" type "L" copper tubing.

#### Grab Bar

Grab bar fabricated of 18 gauge 1-1/2" O.D. stainless steel tubing with a 1-1/2" safety statute clearance. Flanges are 11 gauge. Load capacity in excess of 300 lbs. Vertically mounted on column.

## Optional Privacy Compartments

### Partitions

Fabricated of 20 gauge 300 series stainless steel sheets polished to a #4 finish. Sandwich type construction with waterproof cores securely bonded between sheets. Partitions are secured to posts with 14 gauge type 300 stainless steel stirrups and stainless steel screws.

### Posts

Fabricated 18 gauge 1-1/4" square x 80" stainless steel tubing. Post is secured to floor with an expansion anchor and a concealed foot angle which allows plus or minus 1/2" vertical adjustment.

### Curtains

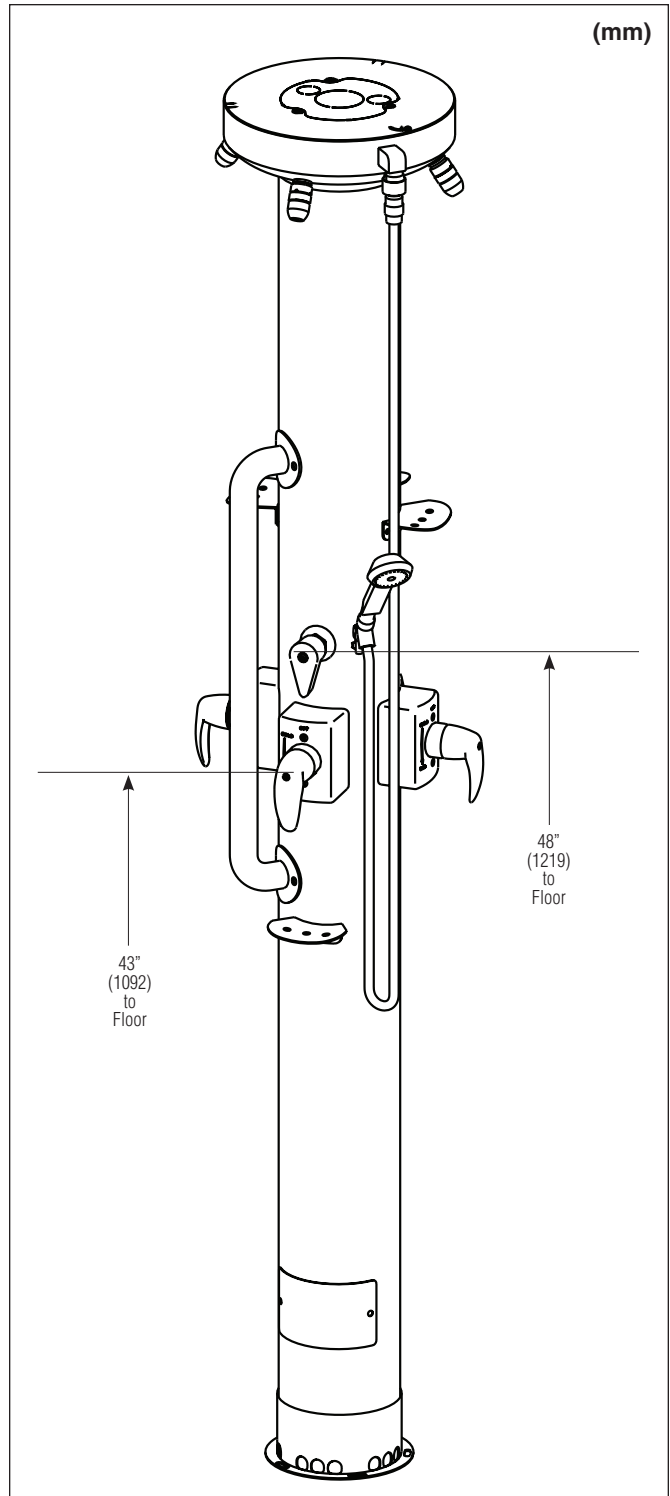
Curtain rails fabricated of 300 series #4 finish stainless steel cylindrical tubing. Curtain hooks are steel wire with a zinc chromate finish. Curtains are 60" W x 74" H and fabricated of heavy gauge translucent vinyl with hemmed edges and aluminum grommet reinforced eyelets.

### Hardware

All exposed fasteners are vandal-proof stainless steel. Post shoes are anodized aluminum and finished to match stainless steel.



*This shower complies with most, but not all, ADA dimensional requirements. Check local codes prior to installation.*





## COL-6C-HN, COL-5C-HN, COL-4C-HN, COL-3C-HN, COL-2C-HN Barrier-Free Column Showers – 2-6 Person

<b>Model No. (select one)</b>		
<b>Description</b>	<b>Stations</b>	<b>Handicap Stations</b>
<input type="checkbox"/> COL-6C-HN 6-Person Column Shower	6	1
<input type="checkbox"/> COL-5C-HN 5-Person Column Shower	5	1
<input type="checkbox"/> COL-4C-HN 4-Person Column Shower	4	1
<input type="checkbox"/> COL-3C-HN 3-Person Column Shower*	3	1
<input type="checkbox"/> COL-2C-HN 2-Person Column Shower*	2	1
<b>Standard Selections</b> (Must select one from each category)		
<b>Drain Type (select one)</b>		
<input type="checkbox"/> <b>A</b> Off-line vent with supplies from below		
<input type="checkbox"/> <b>B</b> Centrally rising vent with supplies from above		
<input type="checkbox"/> <b>H</b> Centrally rising vent with supplies from below		
<input type="checkbox"/> <b>O</b> Off-line vent with supplies from above		
<b>Showerhead Height (select one)</b>		
<input type="checkbox"/> 6'-0" Standard Height		
<input type="checkbox"/> 5'-6" Juvenile Height		
<b>Valve Type (select one)</b>		
<i>Hot/Tempereed and Cold Supplies</i>		
<input type="checkbox"/> <b>EF</b> Equa-Flo Pressure Balancing Valve		
<input type="checkbox"/> <b>HD</b> Equa-Flo HD Pressure Balancing Valve		
<input type="checkbox"/> <b>TMV</b> Thermostatic Mixing Valve		
<i>Single Tempereed/Cold Supply</i>		
<input type="checkbox"/> <b>AST</b> Air Pushbutton		
<input type="checkbox"/> <b>SVL</b> Single Compression Valve		
<input type="checkbox"/> <b>TTPA</b> TouchTime Pushbutton**		
<input type="checkbox"/> <b>TTPB</b> TouchTime Piezo Switch**		
<b>Showerhead Type</b>		
<input type="checkbox"/> <b>S15</b> Standard Showerhead (Flow Rate = 1.5 GPM/5.7 LPM)		
<input type="checkbox"/> <b>SX15</b> Severe Service Showerhead (Flow Rate = 1.5 GPM/5.7 LPM)		
<input type="checkbox"/> <b>S20</b> Standard Showerhead (Flow Rate = 2.0 GPM/7.6 LPM)		
<input type="checkbox"/> <b>SX20</b> Severe Service Showerhead (Flow Rate = 2.0 GPM/7.6 LPM)		
<input type="checkbox"/> <b>SF</b> Deluxe Showerhead w/ Ball Joint (Flow Rate = 1.5 GPM/5.7 LPM)		
<input type="checkbox"/> <b>ES</b> Economy Soft Flow w/ Ball Joint (Flow Rate = 2.0 GPM/7.6 LPM)		
<input type="checkbox"/> <b>J</b> Multi-Jet Showerhead w/ Ball Joint (Flow Rate = 1.5GPM/5.7 LPM)		
<input type="checkbox"/> <b>LX</b> Luxury Showerhead w/ Ball Joint (Flow Rate = 1.5GPM/5.7 LPM)		
<input type="checkbox"/> <b>B</b> Axis Showerhead w/ Ball Joint (Flow Rate = 1.5GPM/5.7 LPM)		

<b>Optional Selections</b>
<b>Volume Control Type (select one)†</b>
<input type="checkbox"/> <b>AKV</b> Allen Key Volume Control
<input type="checkbox"/> <b>LHV</b> Lever Handle Volume Control
<input type="checkbox"/> <b>NONE</b> No Volume Control
<b>Ball Joint Type (select one)†</b>
<input type="checkbox"/> <b>LBJ</b> Lockable Ball Joint
<input type="checkbox"/> <b>NONE</b> No Ball Joint
<b>Supply Stop Type (select one)</b>
<input type="checkbox"/> <b>ST</b> Stops in Supplies
<input type="checkbox"/> <b>NONE</b> No Supply Stops
<b>Drain Variant Type (select one)</b>
<input type="checkbox"/> <b>D</b> Standard Drain
<input type="checkbox"/> <b>DG</b> Dome Grate Drain
<input type="checkbox"/> <b>LD</b> Less Drain
<b>Ship Drain in Advance (select one)</b>
<input type="checkbox"/> <b>Y</b> Yes‡
<input type="checkbox"/> <b>N</b> No, Ship Drain with Unit
<input type="checkbox"/> <b>NONE</b> Less Column Drain Selected ****
<b>Column Drain Slot Type (select one)</b>
<input type="checkbox"/> <b>WS</b> With Column Drain Slots
<input type="checkbox"/> <b>LS</b> Less Column Drain Slots*
<b>Clamping Ring Type (select one)‡</b>
<input type="checkbox"/> <b>CR</b> Clamping Ring for Flashing
<input type="checkbox"/> <b>NONE</b> No Clamping Ring for Flashing
<b>Ship Clamping Ring in Advance (select one)</b>
<input type="checkbox"/> <b>Y</b> Yes
<input type="checkbox"/> <b>N</b> No, Ship Clamping Ring with Unit
<input type="checkbox"/> <b>NONE</b> No Clamping Ring Selected
<b>Shroud Type (select one)</b>
<input type="checkbox"/> <b>SH</b> Telescoping Shroud (floor to ceiling height _____ ft. _____ in.)*
<input type="checkbox"/> <b>NONE</b> No Shroud
<b>Flange Anchor Type (select one)</b>
<input type="checkbox"/> <b>FAK</b> Flange Anchor Kit****
<input type="checkbox"/> <b>NONE</b> No Flange Anchor Kit
<b>Multi-Stall Partition Type (select one) §</b>
<input type="checkbox"/> <b>MS</b> Multi-Stall Partitions
<input type="checkbox"/> <b>NONE</b> No Multi-Stall Partitions
<b>Multi-Stall Curtain Type (select one) §</b>
<input type="checkbox"/> <b>CN</b> Standard Curtain
<input type="checkbox"/> <b>HR</b> Herculite Curtain
<input type="checkbox"/> <b>NONE</b> No Multi-Stall Curtain
<b>Multi-Stall Roller Hook Type (select one) §</b>
<input type="checkbox"/> <b>RH</b> Roller Hooks
<input type="checkbox"/> <b>NONE</b> No Multi-Stall Roller Hook
<b>Multi-Stall Robe Hook Type (select one) §</b>
<input type="checkbox"/> <b>BH</b> Robe Hook
<input type="checkbox"/> <b>NONE</b> No Multi-Stall Robe Hook

\*Non-cancelable, non-returnable

\*\*TTPA and TTPB valves require a low-voltage UL/CSA listed 120VAC/12VDC plug-in adapter.

\*\*\*Only available with telescoping shroud. Used to mount shroud flange to suspended ceiling.

\*\*\*\*Only available with LD Drain Variant Type.

† Only available on S15 and S20 showerheads.

‡ Only available with D or DG Drain Variant.

§ Only available with COL-4C-HN.

Verify all rough-in dimensions prior to installation.

Consult local and national codes: conformity and compliance to local and national codes is the responsibility of the installer.

2.0 GPM and 2.5 GPM showerhead flow rates do not meet California Energy Commission 20 CCR T.20, Div. 2, 1601-1609