

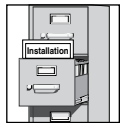
Installation

Bradley Modesty Module[®] for Wall and Column Showers

Table of Contents

Pre-Installation Information.....	2
Shower Layout.....	3
Install Floor Anchors.....	4
Assemble Pilaster and Post Support Hardware	4
Install Stirrups to Hold Up Partitions	5
Install Pilasters and Posts	5
Install Partitions	6
Install Head and Curtain Rails.....	6
Install Shower Seat.....	7
Complete Installation	7

IMPORTANT!



Read this entire installation manual to ensure proper installation. When finished with the installation, file this manual with the owner or maintenance department. Compliance and conformity to local codes and ordinances is the responsibility of the installer.



Separate parts from packaging and make sure all parts are accounted for before discarding packaging material. If any parts are missing, do not begin installation until you obtain the missing parts.



Product warranties may be found under “Products” on our website at www.bradleycorp.com.

Pre-Installation Information

Overview

Modesty Module® have stainless steel columns, framework and partitions. All units come complete with showers, partitions, framework, curtains, robe hooks, and all the necessary attaching hardware.

Care and Cleaning of Stainless Steel

Periodic and frequent cleaning will greatly prolong the service life of stainless steel equipment and, at the same time, maintain a bright surface of pleasing appearance. The amount and frequency of cleaning depends on service conditions involved.

CAUTION: Never use ordinary steel wool or steel brushes on stainless steel. Always use stainless steel wool or stainless steel brushes. Do not allow salty solutions to evaporate and dry on stainless steel.

General Cleaning: Ordinary deposits of dirt and grease are quickly removed with soap and water. Whenever possible, the metal should be thoroughly rinsed and dried after washing. To get rid of tightly adhering deposits, use stainless steel polishing powder. In all cases, rubbing should be in the direction of polishing lines.

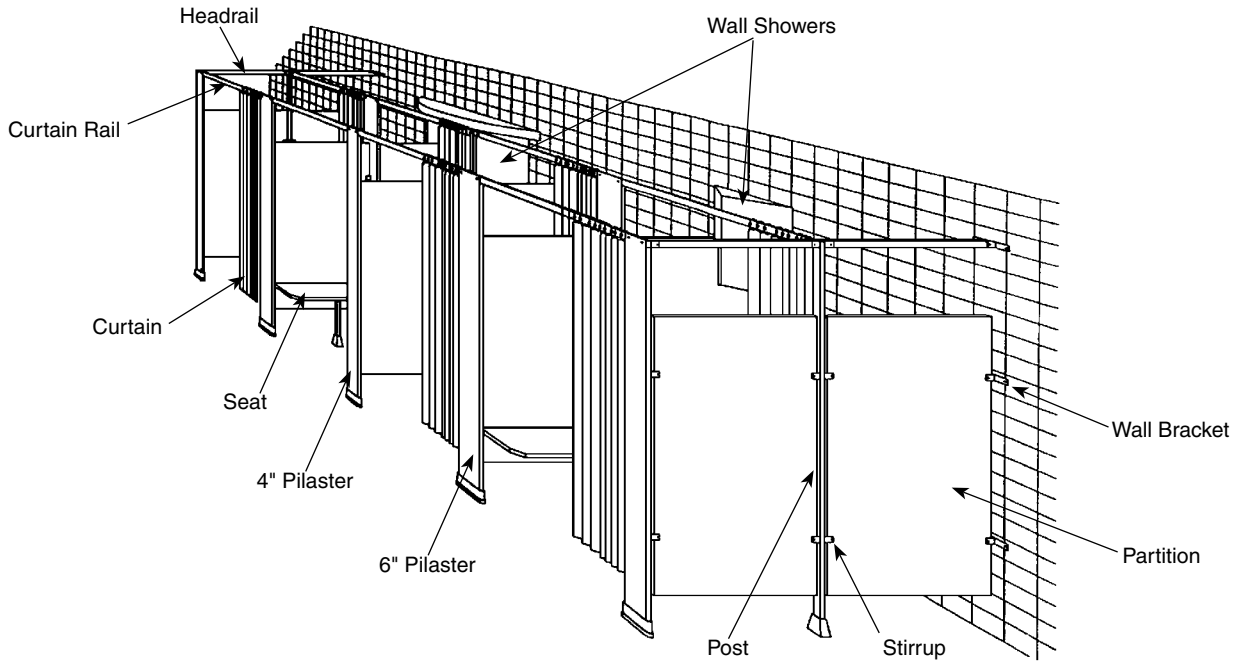
NOTE: Strongly acidic or caustic cleaners may attack the steel causing a reddish film to appear. The use of these cleaners should be avoided.

Modesty Module® Wall and Column Shower Layouts

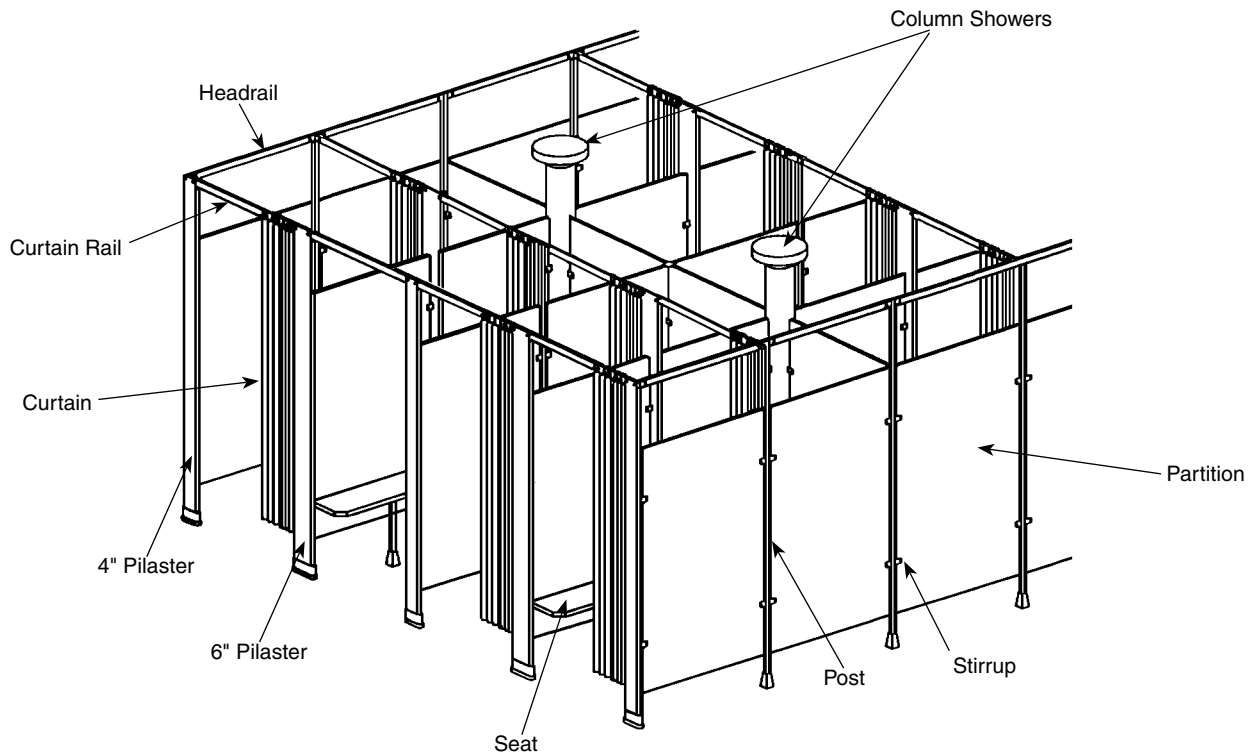


These illustrations show typical shower room layouts. Your layout may vary from what is shown.

Modesty Module Wall Shower Layout



Modesty Module Column Shower Layout



1 Install Floor Anchors

A Install your Bradley shower as instructed on the shower installation instructions provided with your new shower.

B Check dimensions on the layout drawing (identified by a "MM" number) you received for correct location of pilasters, posts, and partitions.

C Scribe lines on the floor to indicate the locations of the pilasters and posts in relation to the showers and/or walls according to the dimensions on the layout drawing you received.

2 Assemble Pilaster and Post Support Hardware

A Using a pilaster floor bracket and a post foot angle as templates, locate and mark hole locations for the support hardware on the floor (refer to drawing received).

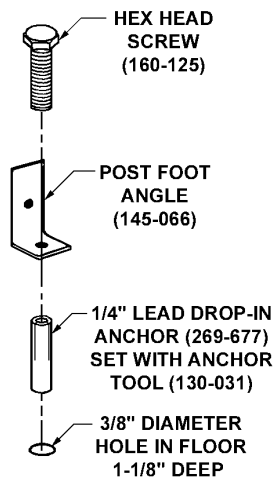
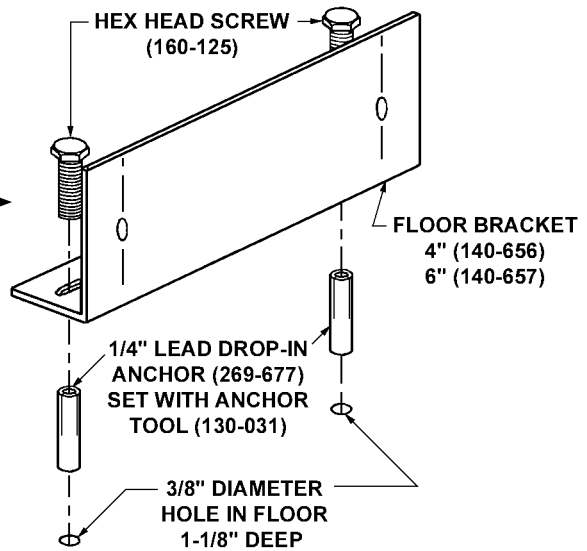
Alternate 4" and 6" pilasters as shown on page 3. The shower seat will be mounted to the partition attached to the 6" pilaster.

B Drill floor holes for the pilasters and posts into the floor.

If you are drilling into concrete, drill 1/4" deeper than the length of the anchor. If you are drilling into a tile floor, make sure the top of the anchor is below the setting bed.

C At each pilaster hole location, secure the hardware components as shown.

D At each post hole location, secure the hardware components as shown.



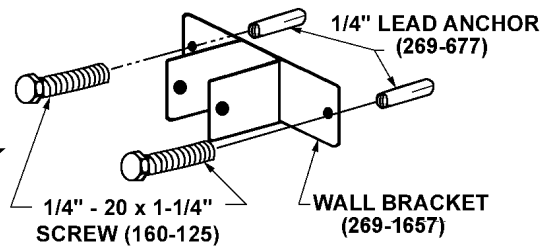
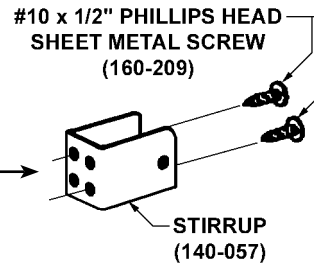
3 Install Stirrups to Hold Up Partitions

A Using a stirrup as a template, mark the locations for the stirrup screw holes on the pilasters and posts. Drill 5/32" diameter holes at the marks.

B Fasten the stirrups to the posts and pilasters using the #10 x 1/2" sheet metal screws provided.

C For column shower installations, fasten the stirrups to the column shower's pre-drilled holes using the #10-24 x 1/2" self-tapping screws which are in a bag tied to the shower column.

D For Modesty Module fastened to the wall, mark stirrup locations and drill 3/8" diameter 1-1/8" deep holes in the wall. Install bracket to wall with lead anchors and 1/4" - 20 x 1-1/4" screws provided.

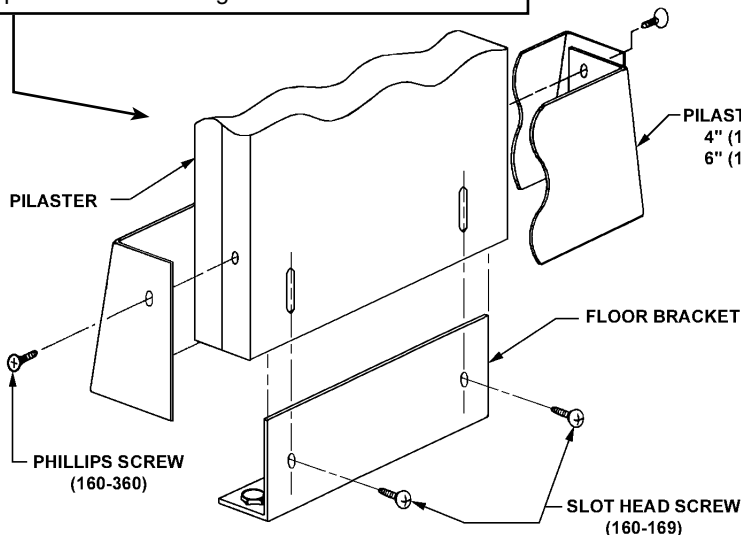
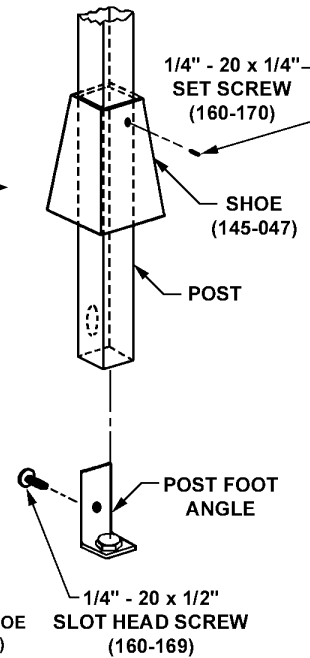


4 Install Pilasters and Posts

A Beginning with the first row of Modesty Module, slip shoes onto the bottom of posts and set posts into position over the post foot angle and fasten mounting hardware.

To allow for adjustments, **DO NOT** tighten screws at this time.

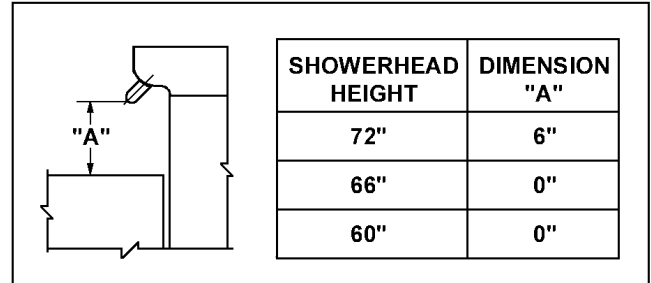
B Set pilasters into position over the floor bracket and install mounting hardware. Assemble pilaster shoe around bottom of pilaster and install with #14 x 5/8" Phillip head screws provided. Do NOT tighten screws at this time.



5 Install Modesty Module Partitions

A Using a support, set partitions on edge and slide into stirrups on posts and pilasters (and walls). Position partition so the spaces on the sides of the partition are equal and the partition is level.

B Make sure the partitions are level and plumb. For wall shower installations, install notched-out Wall-Saver first. For column shower installations, install partitions next to the column shower first. See image to the right for determining partition height. Then mark drill hole locations on partitions and drill 5/32" diameter holes in the partitions at the marked locations.



C Make sure all parts are level and plumb. Fasten the partitions to the stirrups (and wall brackets) with #14 x 5/8" Phillips head screws (p/n 160-360) provided and **secure posts and pilasters to floor bracket/foot angles.**

6 Install Head and Curtain Rails

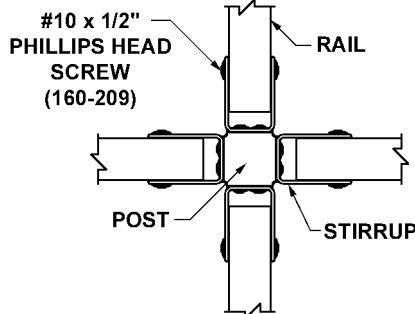
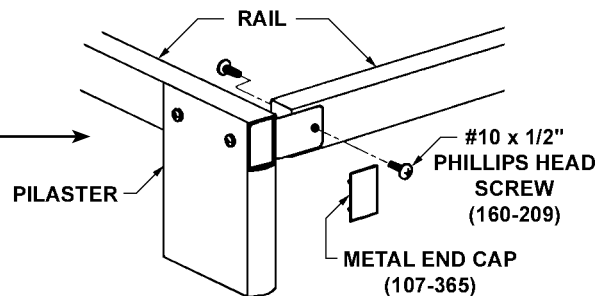
A Using a pilaster floor bracket and a post foot angle as templates, locate and mark hole locations for the support hardware on the floor (refer to drawing received).



Alternate 4" and 6" pilasters as shown on page 3. The shower seat will be mounted to the partition attached to the 6" pilaster.

B Using the stirrup as a template, mark the screw hole locations on rails and drill 5/32" holes in marked locations.

C Install aluminum head and curtain. Make sure the headrails junction at the corners.



Before fastening curtain rails, be sure to slide eight hooks per curtain (ten for extra-strength curtains) into position on the curtain rails.

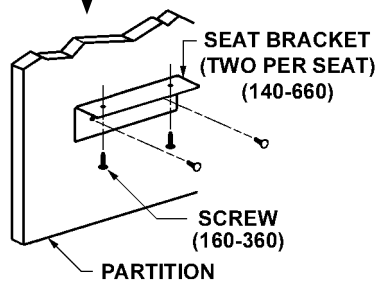
7 Install Shower Seat

A At the desired location, drill a 5/16" diameter floor hole for seat post. Mount the seat to a partition secured to a 6" pilaster.

Only one post per seat is provided and is to be centered under seat.

B Assemble remaining seat post hardware. DO NOT put spacer under post foot angle.

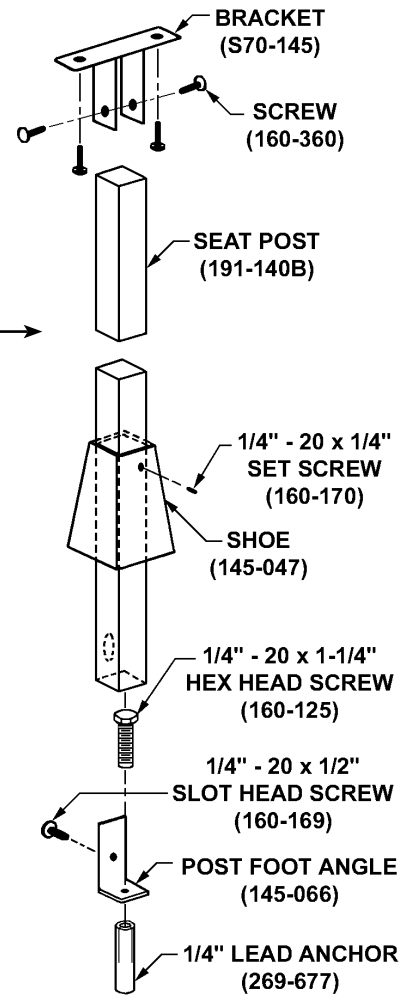
C Attach the two seat brackets included to the module partition. Make sure seat brackets are level with bracket installed on seat post.



Two seat brackets are to be used for each seat.

D For stainless steel seat mounting, drill two #9 (0.196" diameter) holes in the bottom of the seat using the bracket on seat post as a template.

E Assemble seat to seat brackets and post bracket with screws provided.



8 Complete Installation

A Be sure that all hardware is mounted with proper number of screws and securely tightened.

B Clean the stainless steel, partitions, seats, etc. before use.

C Hang shower curtains on shower curtain hooks installed on curtain rails.



If these instructions are followed, your Bradley Modesty Module will provide years of dependable service. However, if these cleaning instructions are not followed, Bradley will not accept any responsibility for product failure.