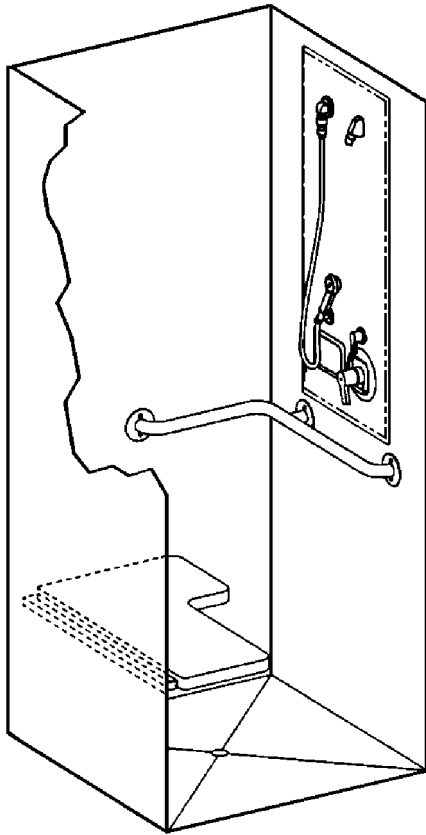


Installation Instructions

ADA Compliant HN200 Recess-Mounted Shower with



- Equa Flo™
- Accu-Zone™ Infrared Control
- Thermostatic Control
- Single Valve
- Air Metering Valve
- Touch-Time™ or
- Touch Time™ w/Battery



HN200

(Valve Right/Seat Left shown,
Valve Left/Seat Right is opposite)

36" x 36" enclosure is not
provided as standard equipment

Table of Contents

Pre-Installation Information	2
HN200 Components	3
HN200 Shower Stall Dimensions	3
Installation Instructions	4-7
Cleaning Instructions	7
Shower Seat Repair Parts	8
Shower Curtain Repair Parts	8

IMPORTANT

Read the entire installation manual to ensure proper installation of your HN200 shower.

This manual covers all of the HN200 variations and options available, including shower seat and curtain installation. Simply omit the steps which do not apply to the unit you are installing.

Valve Left/Seat Right version is shown throughout this manual. Valve Right/Seat Left is opposite.



Plumbing contractor shall be responsible for installing shower face plate at the correct height to meet accessibility requirements.

This installation manual and parts list should be filed by the owner's maintenance department.



P.O. Box 309, Menomonee Falls, WI 53052-0309
TEL. 1-800-BRADLEY FAX (262) 251-5817
<http://www.bradleycorp.com>

Pre-Installation Information

-  **CAUTION:** This shower system may not protect the user from scalding if other temperature controlling devices in the plumbing system should fail.
-  **CAUTION:** Excessive heat to the Equa-Flo™ valve body will damage its internal parts.

Overview

The Bradley ADA compliant HN200 comes assembled for job site installation. When installed in a 36" x 36" stall, the HN200 provides a shower which meets ADA accessibility codes. Check local codes for dimensional compliance.

Components

Face Plate Material: The shower control panel is constructed of stainless steel.

Valve and Component Material: All exposed parts (except seat cover) are stainless steel or polished chrome-plated brass. Valve bodies are brass casting.

Barrier-Free Seat: Folding shower seat is constructed of molded plastic with a load capacity of 250 lbs.

Shower Curtain: Vinyl shower curtain comes with stainless steel curtain rod and hooks.

Supplies required for installation:

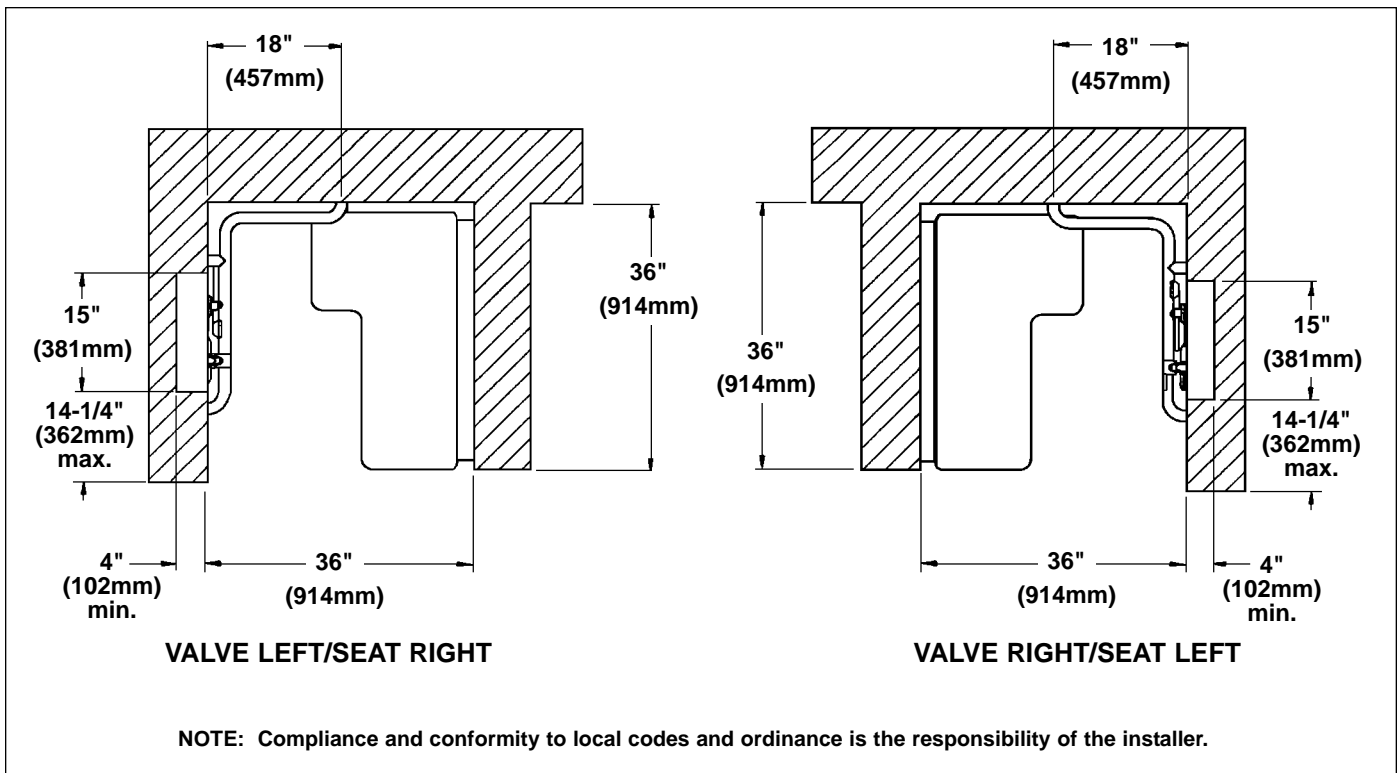
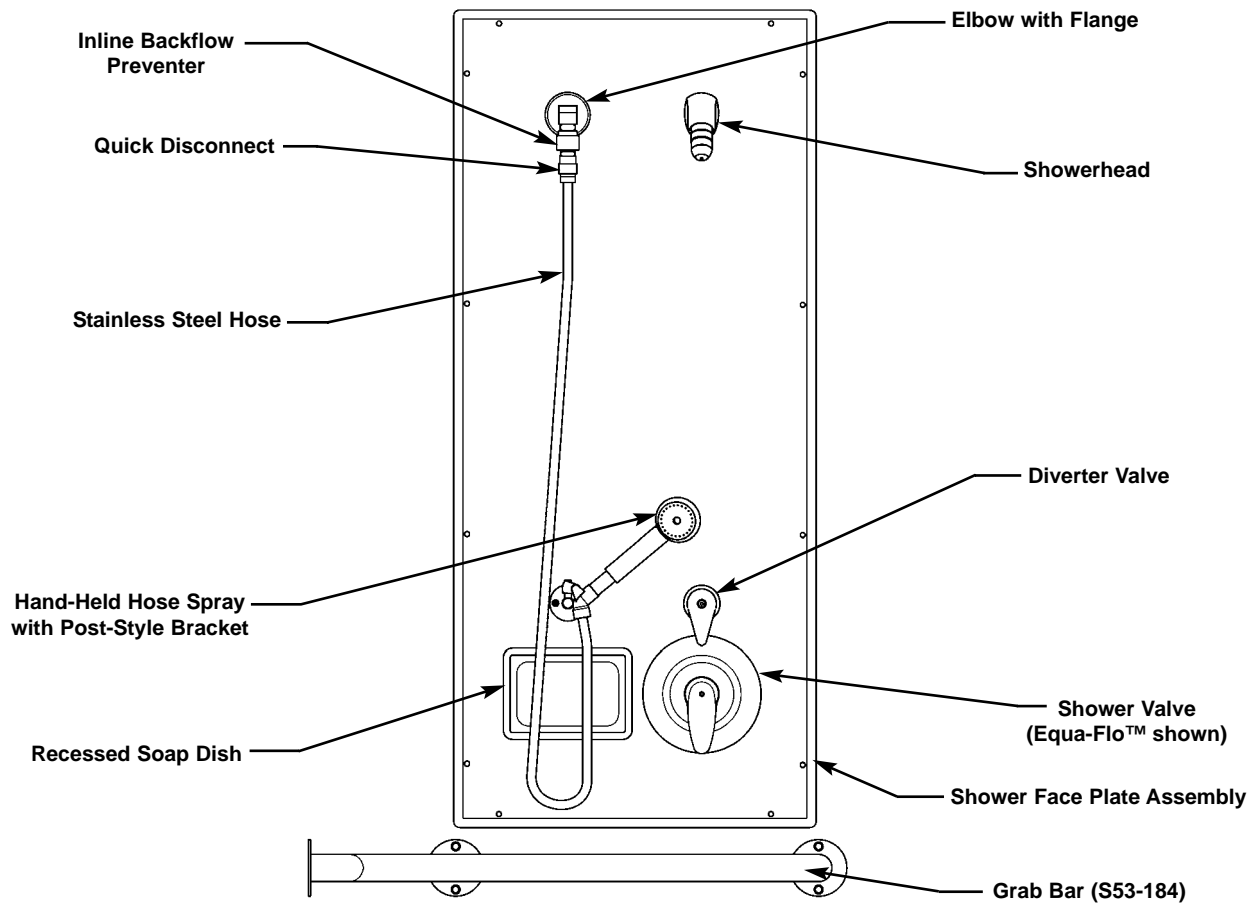
- 1/2" NPT hot and cold or 1/2" NPT tempered water supplies
- (12) 1/4" wall anchors and 1/4"-20 x 3/4" screws to install shower face plate assembly to wall
- (6) wall anchors for 1/4-20" x 1-1/4" hex socket screws to install grab bar (grab bar is designed to sustain a concentrated load of 300 pounds)
- (7) wall anchors for 1/4 x 1/2" Type AB sheet metal screws to mount shower seat

HN200 Recess-Mounted Shower Warranty

Bradley Corporation warrants to commercial and institutional purchasers only each unit free from defects in material and workmanship under normal use and service upon the following terms and conditions:

1. This warranty is limited to replacing or repairing, at our option, transportation charges prepaid by the purchaser, any Bradley unit or part thereof which our inspection shall show to have been defective within the limitations of this warranty.
2. The period during which HN200 Shower components are warranted is one (1) year, measured from the date of our invoice.
3. This warranty does not cover installation or any other labor charges and does not apply to any units which have been damaged by accident, abuse, improper installation or improper maintenance.
4. The replacement or repair of defective units as stated in this warranty shall constitute the sole remedy of the purchaser and the sole liability of Bradley Corporation under this warranty. Bradley Corporation shall not otherwise be liable under any circumstances for incidental, consequential or indirect damages caused by defects in the repair or replacement thereof.
5. This warranty extends only to commercial and institutional purchasers and does not extend to any others, including consumer customers of commercial and institutional purchasers.
6. This warranty is in lieu of all other warranties, express or implied, including any implied warranty of merchantability or fitness for a particular purpose or otherwise.

HN200 Components and Shower Stall Dimensions



Installation Instructions

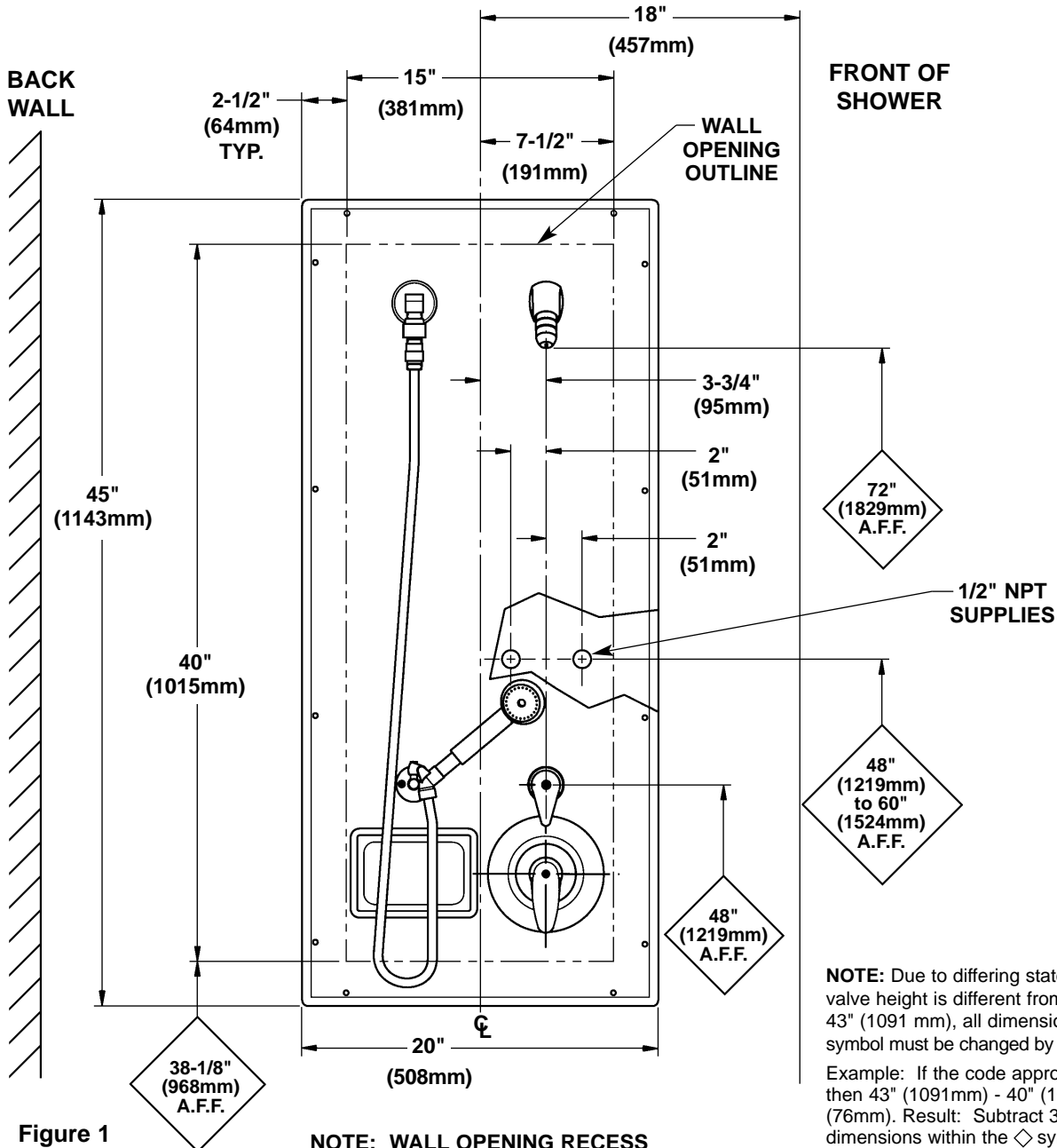
NOTE: Flush the supply lines before making connections.

NOTE: Install the supply inlets no lower than 48" and no higher than 60" off of finished floor.

Step 1: Rough in piping for shower

NOTE: When facing the wall, the supply pipe to the left of the centerline is HOT.

1. Rough in 1/2" NPT hot and cold water supply piping for valve at the dimension shown in Figure 1 (piping supplied by installer).



Installation Instructions *continued...*

Step 2: Make plumbing connections

NOTE: Hoses need to be connected to 1/2" NPT pipe supply before the shower is fastened to the wall.

1. Make water supply connections to the stainless steel hoses (see Figure 2). Equa-Flo™ and Thermostatic= 1/2" NPT Hot and Cold supplies. Single Valve, Accu-Zone™ Infrared Control, Air Valve and Touch Time™ = 1/2" tempered supply.

Step 3: Install face plate and grab bar

1. Position the face plate on the wall. Mark the wall and install twelve wall anchors suitable for use with 1/4"-20 x 3/4" button head Allen key screws (see Figure 3).
2. Attach the face plate to the wall with twelve 1/4"-20 x 3/4" button head Allen key screws provided (see Figure 3).
3. Attach the grab bar to the wall.
 - Position the "L" of the grab bar to fit the back wall of the shower stall.
4. Use the flange as a template and mark the six screw hole locations and install six anchors supplied by installer for 1/4"-20 x 1-1/4" flat head Allen key screws (see Figure 3).
5. Secure the grab bar to the six wall anchors using six 1/4"-20 x 1-1/4" flat head Allen key screws (provided by installer) (see Figure 3).

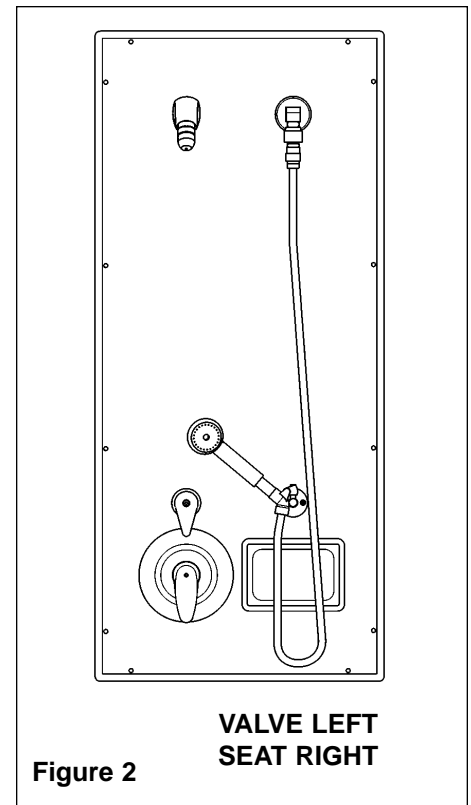


Figure 2

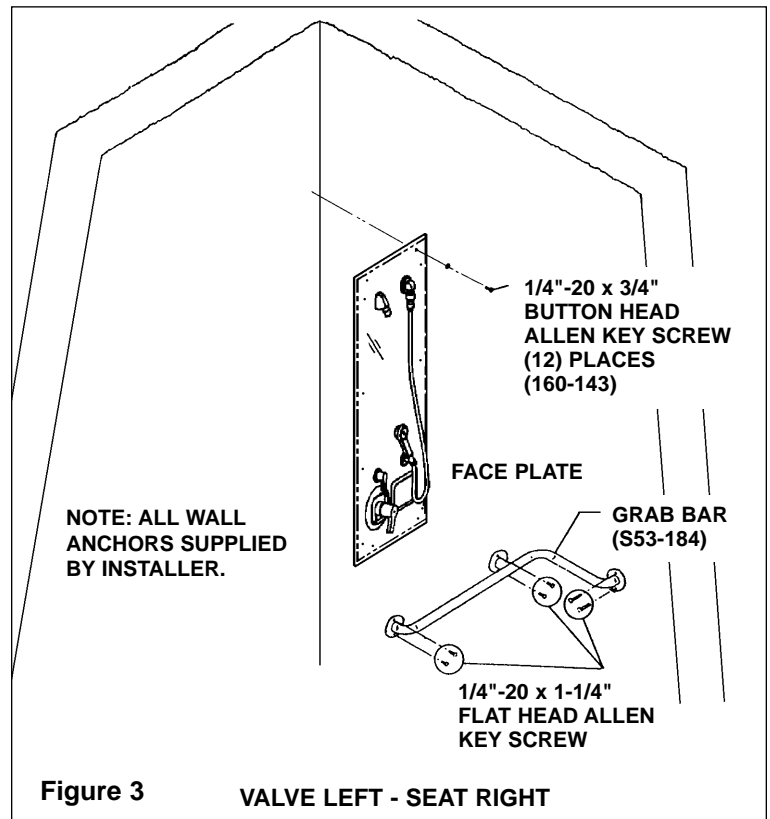


Figure 3

Installation Instructions *continued...*

Step 4: Mount shower seat

NOTE: All anchoring devices (supplied by installer) must be carefully selected to insure adequate support for the shower seat, given the type of wall construction.

1. Measure and scribe a horizontal line 16-1/16" above the finished floor (see Figure 4).
2. Position the folding shower seat against the wall with the three mounting holes on the seat centered on the scribed line.
 - Using the mounting holes as a template, mark the three mounting locations on the wall.
3. Install appropriate anchors (supplied by installer) for 1/4" sheet metal screws in the wall at the three mounting locations.
4. Mount the shower seat to the wall with the three 1/4" sheet metal screws (supplied) at the anchored mounting locations.
 - Position the seat support tube in the support bracket as shown in Figure 5. The tube should rest on the bottom of the front plate.

NOTE: When seat is properly installed, it should decline downward from back to front 2° to 3° for water drainage.

5. Place the support bracket against the wall and adjust the bracket vertically until the shower seat is level in down position.
 - Using the mounting holes on the support bracket as a template, mark the four mounting locations on the wall.
6. Install appropriate anchors (supplied by installer) for 1/4" sheet metal screws in the wall at the four mounting locations.
7. Mount the support bracket to the wall with the four 1/4" sheet metal screws (supplied) at the anchored mounting locations.

Step 5: Install curtain rod

1. Measure and cut the stainless steel curtain rod to fit the shower stall opening.
2. Mount one shower rod flange 80" (2032mm) from the floor as close to the opening of shower stall as possible with two #10-13 x 2" Phillips-head screws provided (see Figure 6).
 - Insert one end of the shower rod into the flange.
 - Slide the other shower rod flange onto the shower rod.
3. Position the shower rod and flange at the same dimensions as the first flange but on the opposite side of the shower stall opening.
4. Secure the flange to the wall with two #10-13 x 2" Phillips-head screws provided.
5. Install the ten hooks onto the curtain rod and hang the curtain onto the rod.

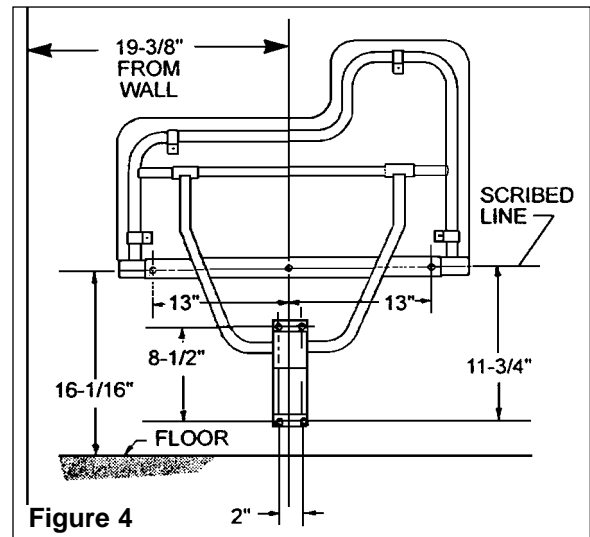


Figure 4

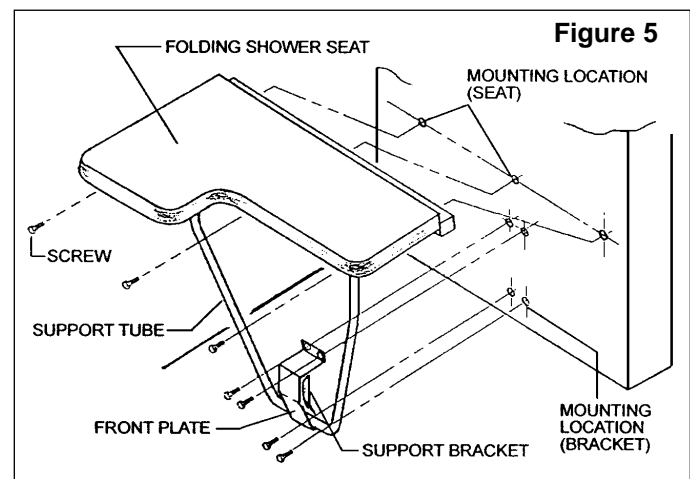


Figure 5

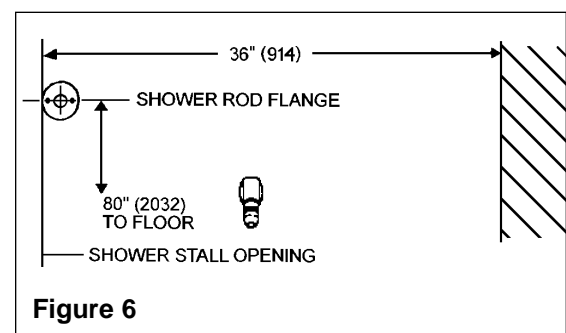


Figure 6

Cleaning and Maintenance Instructions for Stainless Steel

Material Description: Stainless steel is extremely durable, and maintenance is simple and inexpensive. Proper care, particularly under corrosive conditions, is essential. Always start with the simplest solution and work your way toward the more complicated.

Routine cleaning: Daily or as often as needed use a solution of warm water and soap, detergent, or ammonia. Apply the cleaning solution per the manufactures instructions and always use a soft cloth or sponge to avoid damaging the finish.

Stubborn Stains: To remove stains from stainless steel use a stainless steel cleaner and polish such as Ball® stainless steel cleaner or a soft abrasive. Always follow the manufactures instructions and apply in the same direction as the polish lines.



IMPORTANT: NEVER USE ORDINARY STEEL WOOL OR STEEL BRUSHES ON STAINLESS STEEL. ALWAYS USE STAINLESS STEEL WOOL OR STAINLESS STEEL BRUSHES.

Special Situations for Material

Fingerprints and Smears: To remove fingerprints or smears use a high quality stainless steel cleaner and polish in accordance with the manufactures instructions. Many of these products leave a protective coating the helps prevent future smears and fingerprints.

Grease and Oil : To remove grease and oil use a quality commercial detergent or caustic cleaner. Apply in accordance to the manufactures instructions and in the direction of the polish lines.

Precautions: Avoid prolonged contact with chlorides (bleaches, salts), bromides (sanitizing agents), thiocyanates (pesticides, photography chemicals, and some foods), and iodides on stainless steel equipment, especially if acid conditions exist.



IMPORTANT: DO NOT PERMIT SALTY SOLUTIONS TO EVAPORATE AND DRY ON STAINLESS STEEL.

The appearance of rust streaks on stainless steel leads to the belief that the stainless steel is rusting. Look for the actual source of the rust in some iron or steel particles which may be touching, but not actually a part of the stainless steel structure.

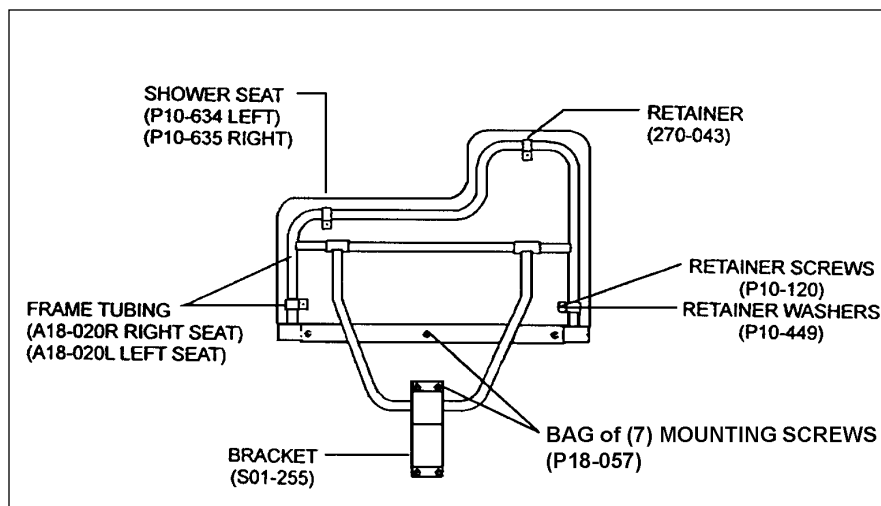
NOTE: Strongly acidic or caustic cleaners may attack the steel causing a reddish film to appear. The use of these cleaners should be avoided.

Brand Names: Use of brand names is intended only to indicate a type of cleaner. This does not constitute an endorsement, nor does the omission of any brand name cleaner imply its inadequacy. Many products named are regional in distribution, and can be found in local supermarkets, department and hardware stores, or through your cleaning service. It is emphasized that all products should be used in strict accordance with package instructions.

Shower Seat Repair Parts

158-010 Left Hand Plastic Seat (Valve Right)

158-011 Right Hand Plastic Seat (Valve Left)



Shower Curtain Repair Parts

Curtain Pre-pack S30-068

ITEM	PART NO.	DESCRIPTION	QUANTITY
1	170-006	Vinyl Shower Curtain	1
	170-006D	Duck Shower Curtain	
	170-006E	Herculite Shower Curtain	
2	151-001	Curtain Hook	10
3	269-367	Curtain Rod	1
4	150-157	Shower Rod Flange	2
5	P10-412	#10-13 x 2" Phillips-Head Screw	1 Bag (4 Screws)