



# WS-1K-HN Corner-Mounted Barrier-Free Wall Shower

- Completely Preassembled Corner-Mounted Shower Unit
- Ideal for Barrier-Free Shower Rooms

## Specifications

### Materials

Shower panel is type 304 stainless steel. All other exposed parts are stainless steel or chrome-plated brass. Valve bodies are brass casting. Supply inlets are flexible stainless steel hoses. Grab bar is 18 gauge.

## Standard Equipment

### Shower Panel

Shower panel, mounting frame, and top and bottom covers constructed of 18 gauge stainless steel.

### Valve Type as Selected

For more information on each valve type, please visit the Shower Valves product section on [bradleycorp.com](http://bradleycorp.com).

### Soap Dish

Standard soap dish option (SD) is a cake soap tray formed from heavy-gauge stainless steel with satin finish. Mounted to shower panel.

Recessed soap dish option (RSD) is fabricated of type 304 stainless steel with seamless corners and burr-free edges. Overall dimensions: 7-1/8" W x 5-1/16"H x 2-3/4" D. Mounted in shower panel.

### Showerhead

Standard fixed direction adjustable spray showerhead (S15).

### Hand Shower

Consisting of hand shower with on-off control, a 60" stainless steel flexible hose and post style mounting bracket to hold to shower panel. Elevated in-line backflow preventer with quick-disconnect for flexible hose.

### Flow Control

A 1.5 GPM (5.7 LPM) flow control is standard. Actual flow may vary, but will not exceed 2.0 GPM (7.6 LPM) max.

### Diverter Valve

Lever handle operation for easy transfer of water flow between fixed and hand shower.

### Supply Inlets

Supply inlets are flexible, stainless steel hoses with 1/2" NPT connections. Inlets are accessible through the back of the shower or through knockouts in the top and bottom covers.

## Optional Selections

### 24" Straight Grab Bar

Fabricated of 18 gauge 1-1/2" O.D. stainless steel tubing with a 1-1/2" safety statute. Flanges are 11 gauge. Load capacity in excess of 300 lbs.

### Barrier-Free Seat

Reversible phenolic shower seat. Load capacity 250 lbs. See technical data document [Bradley\\_ShowerSeat\\_9569](#) for additional information.

## ADA Requirements

### Barrier-Free Seat Location

Available in a reversible phenolic Barrier-Free seat.



*This shower complies with most, but not all, ADA dimensional requirements. Check local codes prior to installation.*

Page 1 of 2

3/19/2019

This information is subject to change without notice.

Bradley\_IndividualShowers\_WS-1K-HN



© 2019 Bradley  
P.O. Box 309, Menomonee Falls, WI 53052-0309  
800 BRADLEY (800 272 3539) +1 262 251 6000  
[bradleycorp.com](http://bradleycorp.com)



<b>Standard Selections</b> (Must select one from each category)	
<b>Showerhead Height (select one)</b>	
<input type="checkbox"/> 6'-0" Standard Height	<input type="checkbox"/> 5'-6" Juvenile Height
<b>Valve Type (select one)</b>	
<i>Hot/Tempered and Cold Supplies</i>	
<input type="checkbox"/> <b>EF</b>	Equa-Flo Pressure Balancing Valve
<input type="checkbox"/> <b>HD</b>	Equa-Flo HD Pressure Balancing Valve
<input type="checkbox"/> <b>TMV</b>	Thermostatic Mixing Valve
<i>Single Tempered/Cold Supply</i>	
<input type="checkbox"/> <b>SVL</b>	Single Compression Valve with Lever Handle
<input type="checkbox"/> <b>AST</b>	Air Pushbutton
<input type="checkbox"/> <b>TTPA</b>	TouchTime Pushbutton**
<input type="checkbox"/> <b>TTPB</b>	TouchTime Piezo Switch**
<b>Showerhead Type</b>	
<input type="checkbox"/> <b>S15</b>	Standard Showerhead (Flow Rate = 1.5 GPM/5.7 LPM)
<input type="checkbox"/> <b>SX15</b>	Severe Service Showerhead (Flow Rate = 1.5 GPM/5.7 LPM)
<input type="checkbox"/> <b>S20</b>	Standard Showerhead (Flow Rate = 2.0 GPM/7.6 LPM)
<input type="checkbox"/> <b>SX20</b>	Severe Service Showerhead (Flow Rate = 2.0 GPM/7.6 LPM)
<input type="checkbox"/> <b>SF</b>	Deluxe Showerhead w/ Ball Joint (Flow Rate = 1.5 GPM/5.7 LPM)
<input type="checkbox"/> <b>ES</b>	Economy Soft Flow w/ Ball Joint (Flow Rate = 2.0 GPM/7.6 LPM)
<input type="checkbox"/> <b>J</b>	Multi-Jet Showerhead w/ Ball Joint (Flow Rate = 1.5GPM/5.7 LPM)
<input type="checkbox"/> <b>LX</b>	Luxury Showerhead w/ Ball Joint (Flow Rate = 1.5GPM/5.7 LPM)
<input type="checkbox"/> <b>B</b>	Axis Showerhead w/ Ball Joint (Flow Rate = 1.5GPM/5.7 LPM)

<b>Optional Selections</b>	
<b>Volume Control Type (select one)†</b>	
<input type="checkbox"/> <b>AKV</b>	Allen Key Volume Control
<input type="checkbox"/> <b>LHV</b>	Lever Handle Volume Control
<input type="checkbox"/> <b>NONE</b>	No Volume Control
<b>Ball Joint Type†</b>	
<input type="checkbox"/> <b>LBJ</b>	Lockable Ball Joint
<input type="checkbox"/> <b>NONE</b>	No Ball Joint
<b>Supply Stop Type (select one)</b>	
<input type="checkbox"/> <b>ST</b>	Stops in Supplies
<input type="checkbox"/> <b>NONE</b>	No Supply Stops
<b>Shower Seat Type (select one)</b>	
<input type="checkbox"/> <b>RSS</b>	ADA Reversible Phenolic Shower Seat (Not a Transfer Seat)
<input type="checkbox"/> <b>NS</b>	No Shower Seat
<b>Grab Bar Type (select one)</b>	
<input type="checkbox"/> <b>GB</b>	24" Straight Grab Bar
<input type="checkbox"/> <b>NONE</b>	No Grab Bar
<b>Slide Bar Type (select one)</b>	
<input type="checkbox"/> <b>SB</b>	24" Slide Bar
<input type="checkbox"/> <b>B30</b>	30" Slide Bar (currently available on WS-1K-HN model only)
<input type="checkbox"/> <b>NONE</b>	No Slide Bar
<b>Soap Type (select one)</b>	
<input type="checkbox"/> <b>SD</b>	Standard Soap Dish
<input type="checkbox"/> <b>RSD</b>	Recessed Soap Dish
<input type="checkbox"/> <b>NSD</b>	No Soap Dish
<b>Shroud Type</b>	
<input type="checkbox"/> <b>SHV</b>	Vertical Shrouds (floor to ceiling height _____ ft. _____ in.)*
<input type="checkbox"/> <b>NONE</b>	No Shroud
<b>Hardware Type (select one)</b>	
<input type="checkbox"/> <b>SC</b>	Standard Screws
<input type="checkbox"/> <b>VS</b>	Vandal Resistant Screws

\*Non-cancelable, non-returnable

\*\*TTPA and TTPB valves require a low-voltage UL/CSa listed 120VAC/12VDC plug-in adapter.

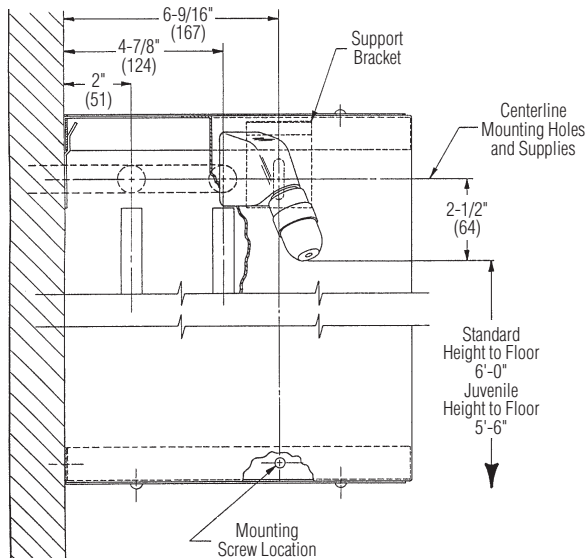
†Only available on S15 and S20 showerheads.

Verify all rough-in dimensions prior to installation.

Consult local and national codes: conformity and compliance to local and national codes is the responsibility of the installer.

2.0 GPM and 2.5 GPM showerhead flow rate does not meet California Energy Commission 20 CCR T.20, Div. 2, 1601-1609.

**Dimensions**



**Rough-Ins**

(mm)

