

Installation

Bradley 1C TouchTime™ Individual Built-In Wall Shower with Concealed Supplies

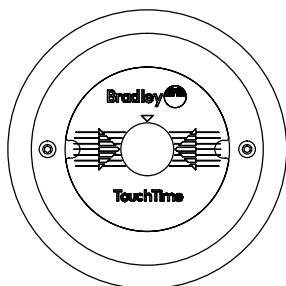
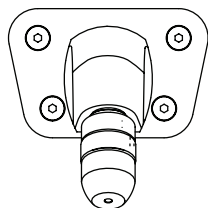
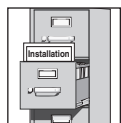


Table of Contents

Pre-Installation Information and Rough-in	2
Electrical Connections and Installation	3
Cleaning and Maintenance	4

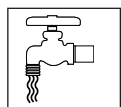
IMPORTANT!



Read this entire installation manual to ensure proper installation. When finished with the installation, file this manual with the owner or maintenance department. Compliance and conformity to local codes and ordinances is the responsibility of the installer.



Separate parts from packaging and make sure all parts are accounted for before discarding packaging material. If any parts are missing, do not begin installation until you obtain the missing parts.



Make sure that all water supply lines have been completely turned off before beginning installation.



Product warranties may be found under “Products” on our website at www.bradleycorp.com.



Pre-Installation Information

Supplies Required for Installation

- 1/2" IPS piping and 1/2" IPS tempered water supply piping and fittings (for solenoid)
- four 1/4"-20 wall anchors for showerhead and two #10 wall anchors for pushbutton assembly
- Teflon tape or teflon pipe dope
- 110 VAC power source for 24 VAC Class II transformer or 110/24 VAC Class II transformer (available from Bradley as an option)

Operation

The 1C Touch Time Shower controls water flow at each station through the use of solid state circuitry. When the pushbutton is released, a signal is sent controlling the opening and closing of the fixture's solenoid valve. The valve then delivers water to the fixture for a preset length of time (60 seconds or 180 seconds).

Recommended showerhead heights

Bradley 1C TT showers can be installed at any height (see recommended heights below). *NOTE: The heights listed below are measured from finish floor to showerhead tip.*

Age	Male	Female
Adult	6' (1.83m)	5'6" (1.68m)
Teenage	6' (1.83m)	5'6" (1.68m)
Pre-Teen	5'6" (1.68m)	5'6" (1.68m)

Components

Material: All exposed parts are stainless steel or polished chrome-plated brass.

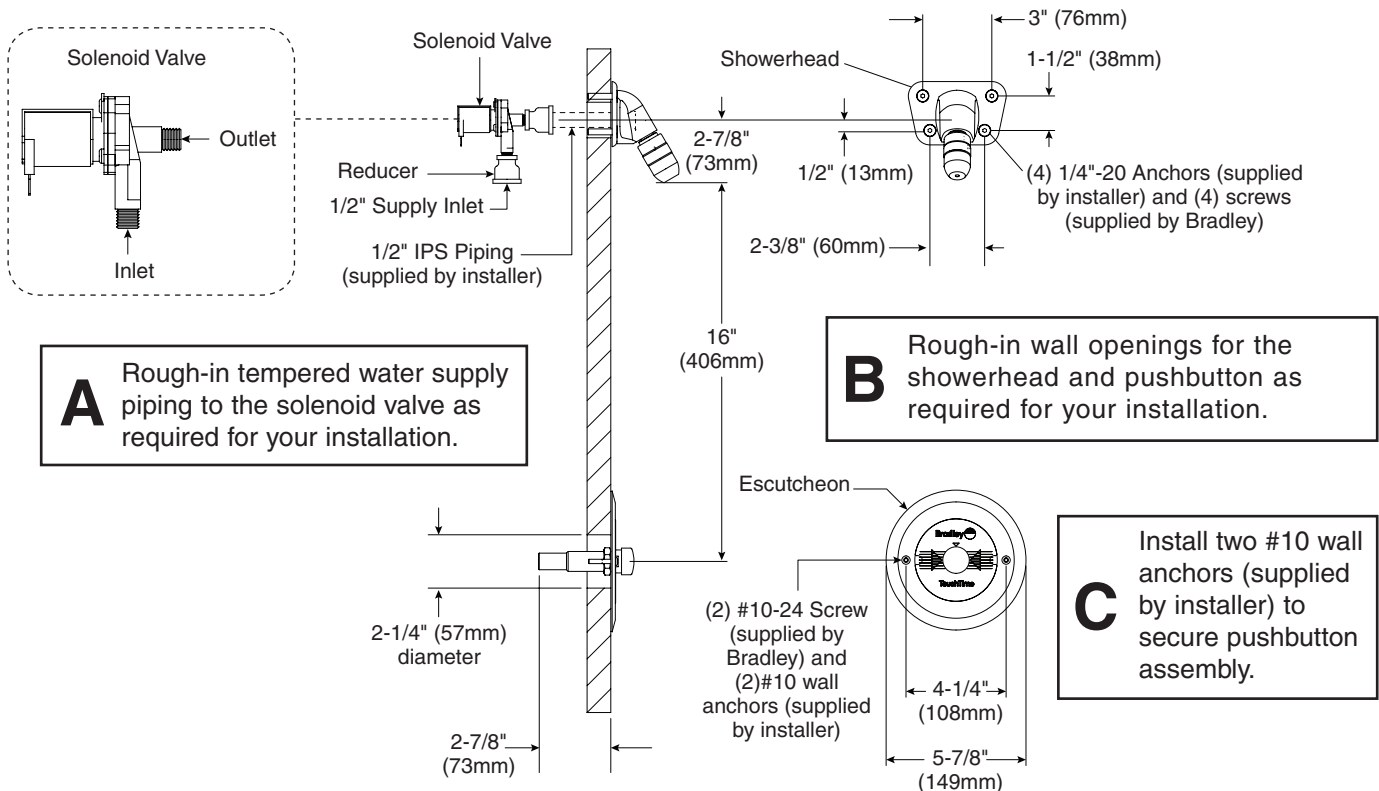
Supply Inlet: The supply inlet to the solenoid valve is 1/2" IPS.

Solenoid Valve: Solenoid valves have few moving parts making them less prone to mechanical failure.

Rough-in

IMPORTANT: Your 1C TT Shower must be connected with a 24 VAC transformer power supply. Connection to 110 VAC will result in damage to the electronics and could result in personal injury.

IMPORTANT: Refer to recommended shower heights shown above.



1 Make electrical connections

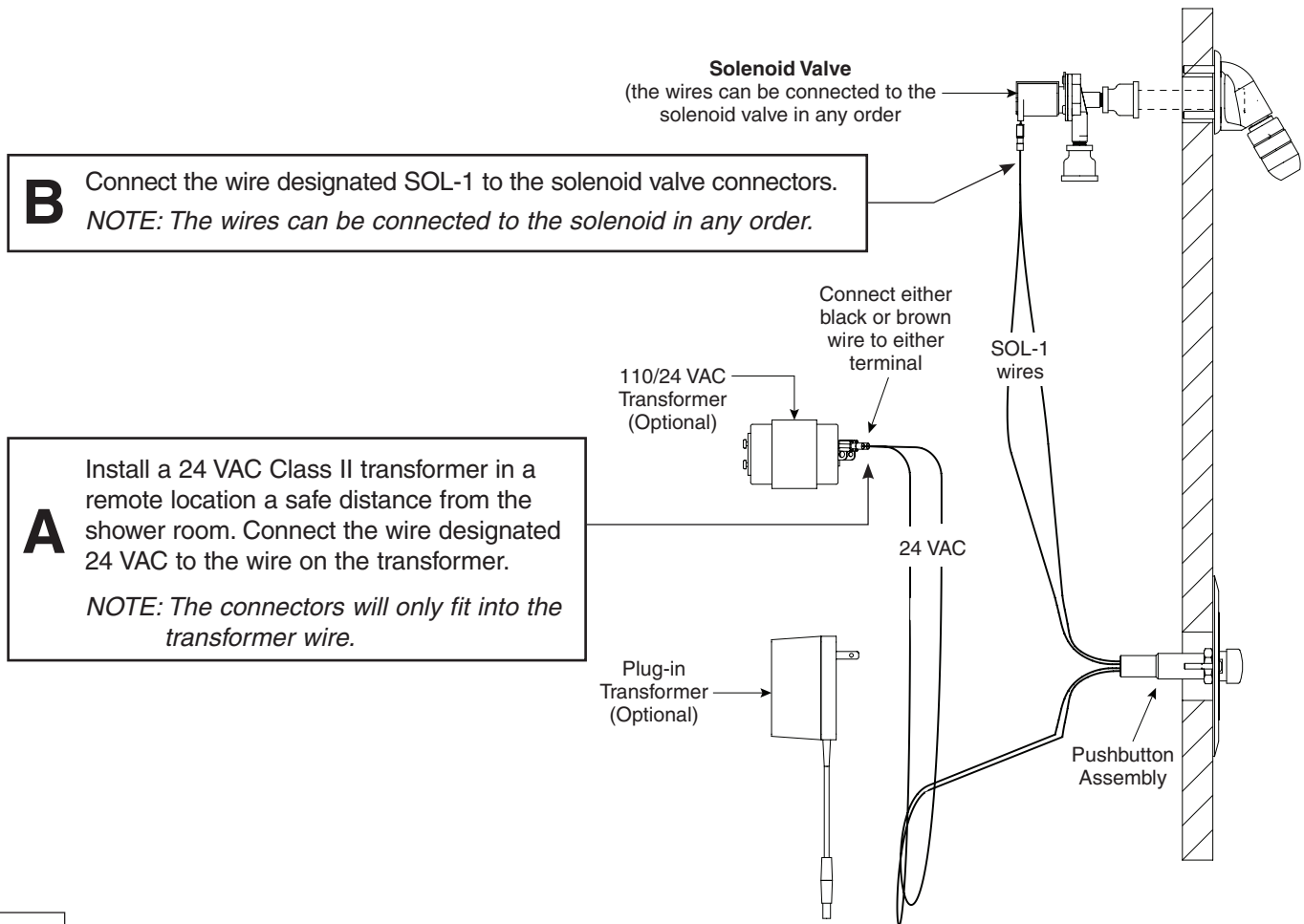
NOTE: Refer to figure below when making electrical connections

IMPORTANT: DO NOT put the 24 VAC Class II transformer in the shower room. Check local codes and ordinances for proper location and connection requirements. Conformity to local codes is the responsibility of the installer.

IMPORTANT: DO NOT turn 24 VAC power on to your shower until installation is complete.

IMPORTANT: Verify that the electrical source to the fixture is 24 VAC.

IMPORTANT: Connection of leads other than shown in figure below may cause permanent damage to the electrodes.



2 Complete Installation

A Secure the showerhead to the 1/4"-20 wall anchors (supplied by installer) using the screws provided.

B Secure the pushbutton to the #10 wall anchors (supplied by installer).

C Turn on the water supply to your 1C TT shower and check for leaking.

D Turn on the 24 VAC power to the shower and press the pushbutton several times to purge air from the lines.

Touch Time™ Valve Parts List

For service please see service guides 215-1369-20 for solenoid valve and 215-1369-12 for TouchTime valve.

Cleaning Stainless Steel

Material Description: Stainless steel is extremely durable, and maintenance is simple and inexpensive. Proper care, particularly under corrosive conditions, is essential. Always start with the simplest solution and work your way toward the more complicated.

Routine cleaning: Daily or as often as needed use a solution of warm water and soap, detergent, or ammonia. Apply the cleaning solution per the manufactures instructions and always use a soft cloth or sponge to avoid damaging the finish.

Stubborn Stains: To remove stains from stainless steel use a stainless steel cleaner and polish such as Ball® stainless steel cleaner or a soft abrasive. Always follow the manufactures instructions and apply in the same direction as the polish lines.

IMPORTANT: Never use ordinary steel wool or steel brushes on stainless steel. Always use stainless steel wool or stainless steel brushes.

Special Situations for Material

Fingerprints and Smears: To remove fingerprints or smears use a high quality stainless steel cleaner and polish in accordance with the manufactures instructions. Many of these products leave a protective coating the helps prevent future smears and fingerprints.

Grease and Oil: To remove grease and oil use a quality commercial detergent or caustic cleaner. Apply in accordance to the manufactures instructions and in the direction of the polish lines.

Precautions: Avoid prolonged contact with chlorides (bleaches, salts), bromides (sanitizing agents), thiocyanates (pesticides, photography chemicals, and some foods), and iodides on stainless steel equipment, especially if acid conditions exist.

IMPORTANT: Do not permit salty solutions to dry and evaporate on stainless steel.

The appearance of rust streaks on stainless steel leads to the belief that the stainless steel is rusting. Look for the actual source of the rust in some iron or steel particles which may be touching, but not actually a part of the stainless steel structure.

NOTE: Strongly acidic or caustic cleaners may attack the steel causing a reddish film to appear. The use of these cleaners should be avoided.

Brand Names: Use of brand names is intended only to indicate a type of cleaner. This does not constitute an endorsement, nor does the omission of any brand name cleaner imply its inadequacy. Many products named are regional in distribution, and can be found in local supermarkets, department and hardware stores, or through your cleaning service. It is emphasized that all products should be used in strict accordance with package instructions.