

# 50B Metering Valve

## Features

- Conserves Water and Energy
- Ruby Orifice with Self-Cleaning Mechanism
- Vandal Resistant
- Chrome-Plated Valve Body

## Operation

Precise mechanical metering designed for both water and energy conservation. Highly consistent timing cycles are achieved through use of a laser-drilled ruby orifice and a unique self-cleaning mechanism. This mechanism consists of a spring/clean-out pin combination that cleans the orifice each time the valve is activated.

The 50B metering valve is an excellent choice for public shower areas where reliability, water/energy savings, and vandal resistance are important. The low-profile and the smooth exposed surfaces help reduce potential tampering.

Valve bodies are made of chrome-plated brass. All internal components feature anti-liming and corrosion-resistant materials designed to minimize the effects of hard water.

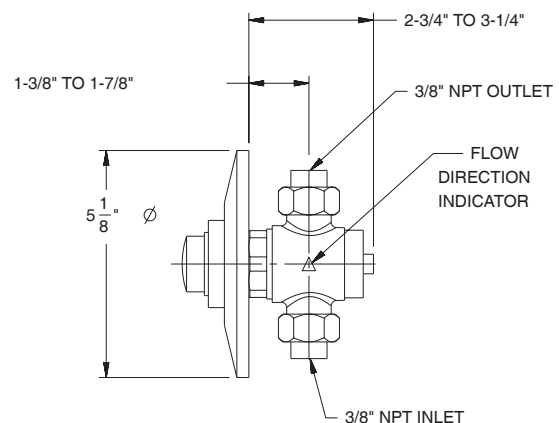
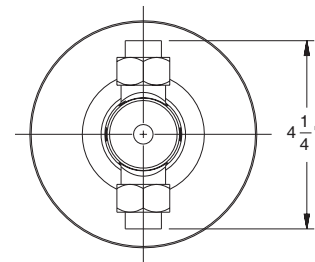
## 50B Mechanical Metering Valve

### 30-Second Fixed Timing Cycle

The timing cycle is preset to deliver a flow of water 30 (+5/-10) seconds in duration. The push button projects less than 1-1/2" from the mounting surface (in-wall or panel-mounted).



50B Metering Valve  
(1C-PM)



Document No. 5380

This information is subject to change without formal notice.  
© 2004 Bradley Corporation  
10-11-2005 (1 Page Total)

**Bradley** 

P.O. Box 309, Menomonee Falls, WI 53052-0309  
Phone 1-800-BRADLEY FAX 262-251-5817  
<http://www.bradleycorp.com>