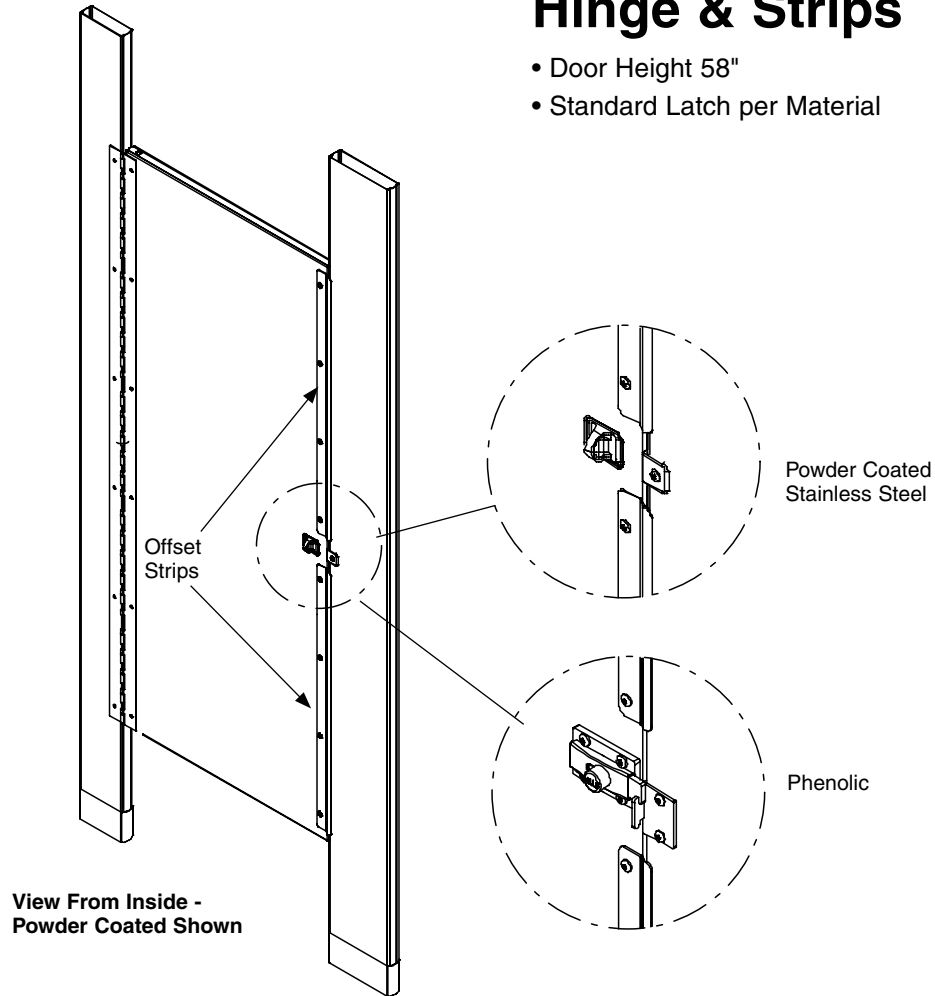


# Restroom Partitions Inswing

# Installation No-Site™ Continuous Hinge & Strips

- Door Height 58"
- Standard Latch per Material



### Instructions:

1. Position strips as shown above, so they cover gap between door and pilaster.
2. Make sure strips are plumb.
3. Use strips as templates for marking pilot holes. See chart below for pilot hole diameter and depth.
4. Drill holes into one side of door and/or pilaster only.
5. Attach using #14 x 5/8" screws (provided).

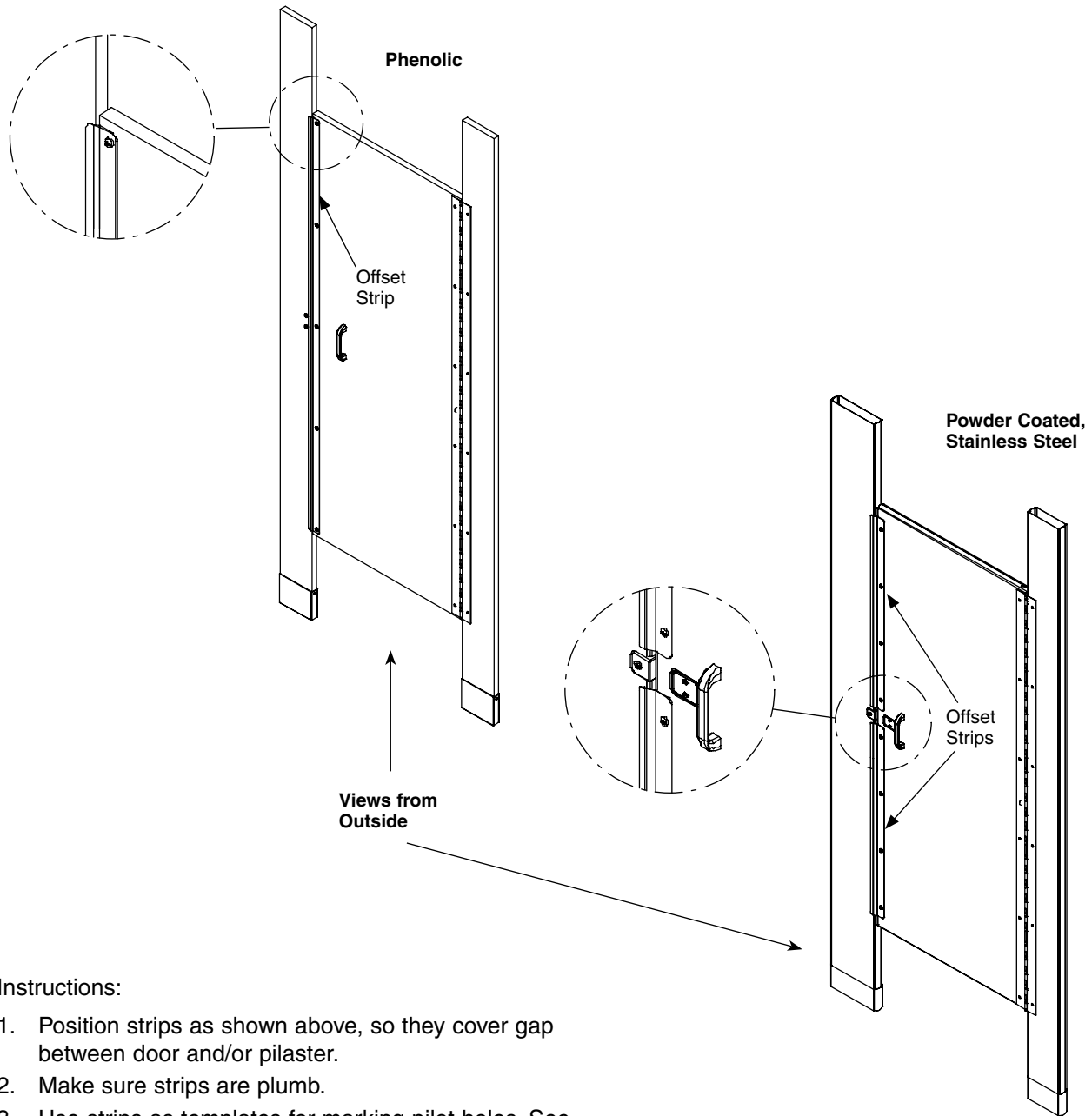


*When installing the partition components, consult the applicable Mills Partition submittal drawing and standard installations for compartment layout dimensions, locating brackets, and door mounting. The installation should be complete and all hardware installed before attaching the No-Site™ Strips.*

Material	Pilot Hole Diameter	Pilot Hole Depth
Powder Coated	3/16"	One Face Only
Stainless Steel	3/16"	One Face Only
Phenolic	15/64"	5/8"



# Restroom Partitions Outswing



**Instructions:**

1. Position strips as shown above, so they cover gap between door and/or pilaster.
2. Make sure strips are plumb.
3. Use strips as templates for marking pilot holes. See chart below for pilot hole diameter and depth.
4. Drill holes into one side of door or pilaster only.
5. Attach using #14 x 5/8" screws (provided).

Material	Pilot Hole Diameter	Pilot Hole Depth
Powder Coated	3/16"	One Face Only
Stainless Steel	3/16"	One Face Only
Phenolic	15/64"	5/8"