



# LVGD1 Verge® Wash Basin – LVG-Series

- ADA and TAS Compliant
- Serves One User at a Time
- Elongated Basin is Constructed of Evero® Natural Quartz Surface
- Select a Bradley Faucet or Faucet by Others
- Available in a variety of colors

## Specifications

Accommodates one user. The units handle washroom traffic quickly and economically, while providing each user with personal space.

## Construction

### Basin

Evero Geo Series is a natural quartz surface made from a blend of bio-based resin, natural quartz, granite and other exotic minerals. It is made of 25% recycled content.

Evero Pearl Series is a natural quartz surface made with bio-based resin, sea shells, recycled glass and natural quartz. It is made of 70% recycled content.

- Variations in the natural stone color, pattern, size, shape and shade are inherent. Due to these unique characteristics, please expect subtle shade variations when units are installed adjacent to each other.

### Access Panel

Panel is composed of decorative 300 series stainless steel.

### Support Frame

Basin assembly and access panel are secured to a heavy gauge stainless steel support frame mounted to wall.

### Vandal Resistance

Water supplies, valves, waste assembly and other optional items are concealed within the access panel/frame.

### Faucet Options

There are several hands-free faucet options available with the Verge Wash Basin. Choose from CAP-DCA, IR-DCD or IR-DCG. For more information on these standard faucet options and plug-in adapters, please enter the model number in the search box at [www.bradleycorp.com](http://www.bradleycorp.com). 4" Centerset and Centershank faucet hole drillings are available for faucets by others.

## Code Compliance and Certifications

### ANSI Standards

Evero Natural Quartz Surface meets the requirements of CSA B45.5/IAPMO Z124.

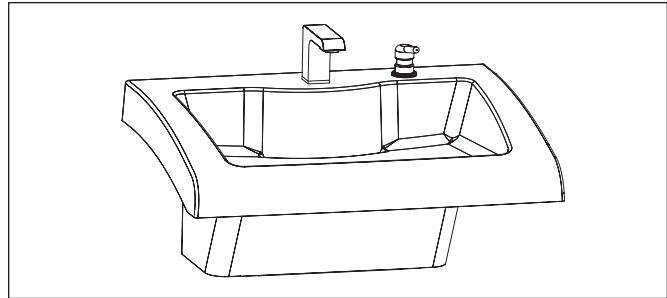
### cUPC Approval

Verge Wash Basin is Uniform Plumbing Code (UPC), International Plumbing Code (IPC) and National Plumbing Code of Canada (NPC) approved through the International Association of Plumbing and Mechanical Officials (IAPMO). Manufactured in compliance with IGC 156, CSA B45 Series (R08) & ASME A112.18.1/CSA B125.1.

- This plumbing fixture is designed for hand washing only. It is not intended to dispense water for human consumption through drinking or for preparation of food or beverages.

- Standard product selections contained within this document are third party **CERTIFIED** to NSF/ANSI 372 meeting the Lead-Free content requirement. Any product configured with custom options will be **COMPLIANT** with NSF/ANSI 372 meeting the Lead-Free content requirement.

Protected by one or more of the following U.S. Patents: D625,792 S; D633,992 S; and D642,664 S.



## Models (Must select one)

- | Model                          | Description                                 |
|--------------------------------|---|
| <input type="checkbox"/> LVGD1 | Verge Wash Basin – LVGD-Series, One-Station |

## Standard Selections (Must select one from each category)

### Faucet Type (select one)

- |                                  |                           |                                 |   |
|----------------------------------|---------------------------|---------------------------------|---|
| <input type="checkbox"/> IR-DCG  | Infrared Faucet Battery   | <input type="checkbox"/> 4" SET | 4" Centerset Drilling (1-1/4" Drillings Only) |
| <input type="checkbox"/> IR-DCD  | Infrared Faucet Battery   | <input type="checkbox"/> SHANK  | Centershank Drilling (1-1/4" Drillings Only)  |
| <input type="checkbox"/> CAP-DCA | Capacitive Faucet Battery |                                 |   |

### Soap Dispenser Type (select one)

- |                                      |   |
|--------------------------------------|---|
| <input type="checkbox"/> 6324-68     | 32-oz. Plastic Globe, 4" Spout  |
| <input type="checkbox"/> 6315-KT0000 | Battery IR Metering Soap Dispenser Kit (with batteries and 1,000-shot soap) |
| <input type="checkbox"/> 6334        | 16 oz. Plastic Globe, 3-1/2" Spout  |
| <input type="checkbox"/> SDO         | 1-1/4" Soap Drilling Only   |
| <input type="checkbox"/> NSD         | No Soap Dispenser, No Drilling  |

### Water Supply Type (select one)

- |                               |  |
|-------------------------------|--|
| <input type="checkbox"/> TMA  | Navigator® Thermostatic Mixing Assembly (Hot and Cold Supplies) w/Stops and Supply Hoses |
| <input type="checkbox"/> NONE | No Valve Option Selected (includes stops and supply hoses)                               |

### Color of Evero® Basin (select one)

#### Geo Series

- |                                     |            |                                   |             |                                    |              |
|-------------------------------------|------------|-----------------------------------|-------------|------------------------------------|--------------|
| <input type="checkbox"/> ANDORRA    | Andorra    | <input type="checkbox"/> EVEREST  | Everest     | <input type="checkbox"/> MYKONOS   | Mykonos      |
| <input type="checkbox"/> ANTARCTICA | Antarctica | <input type="checkbox"/> GLACIER  | Glacier Bay | <input type="checkbox"/> PATAGONIA | Patagonia    |
| <input type="checkbox"/> BLACK-SEA  | Black Sea  | <input type="checkbox"/> KALAHARI | Kalahari    | <input type="checkbox"/> SIERRA    | Sierra Madre |
| <input type="checkbox"/> DENALI     | Denali     | <input type="checkbox"/> MOJAVE   | Mojave      | <input type="checkbox"/> YUKON     | Yukon        |

#### Pearl Series (available at an additional charge) (non-cancelable, non-returnable)

- |                                |       |                                     |            |
|--------------------------------|-------|-------------------------------------|------------|
| <input type="checkbox"/> AKOYA | Akoya | <input type="checkbox"/> BLACK-MOON | Black Moon |
|--------------------------------|-------|-------------------------------------|------------|

### Access Panel Type (select one)

- |                                |                 |
|--------------------------------|-----------------|
| <input type="checkbox"/> STAIN | Stainless Steel |
|--------------------------------|-----------------|

### Waste Assembly Type:

- |                                   |                                     |
|-----------------------------------|-------------------------------------|
| <input type="checkbox"/> S-POLY   | Single Plastic Polypropylene P-Trap |
| <input type="checkbox"/> S-CHROME | Single Chrome-Plated P-Trap         |

## Optional Selections

### Faucet Adapter Type:

- |                             |   |
|-----------------------------|---|
| <input type="checkbox"/> PT | Plug-in adapter to convert battery operated CAP-DCA, IR-DCD or IR-DCG |
|-----------------------------|---|

### Soap Adapter Type:

- |                                   |  |
|-----------------------------------|--|
| <input type="checkbox"/> P19-231F | Plug-in adapter - 6315 soap dispenser (must order as a separate line item) |
|-----------------------------------|--|

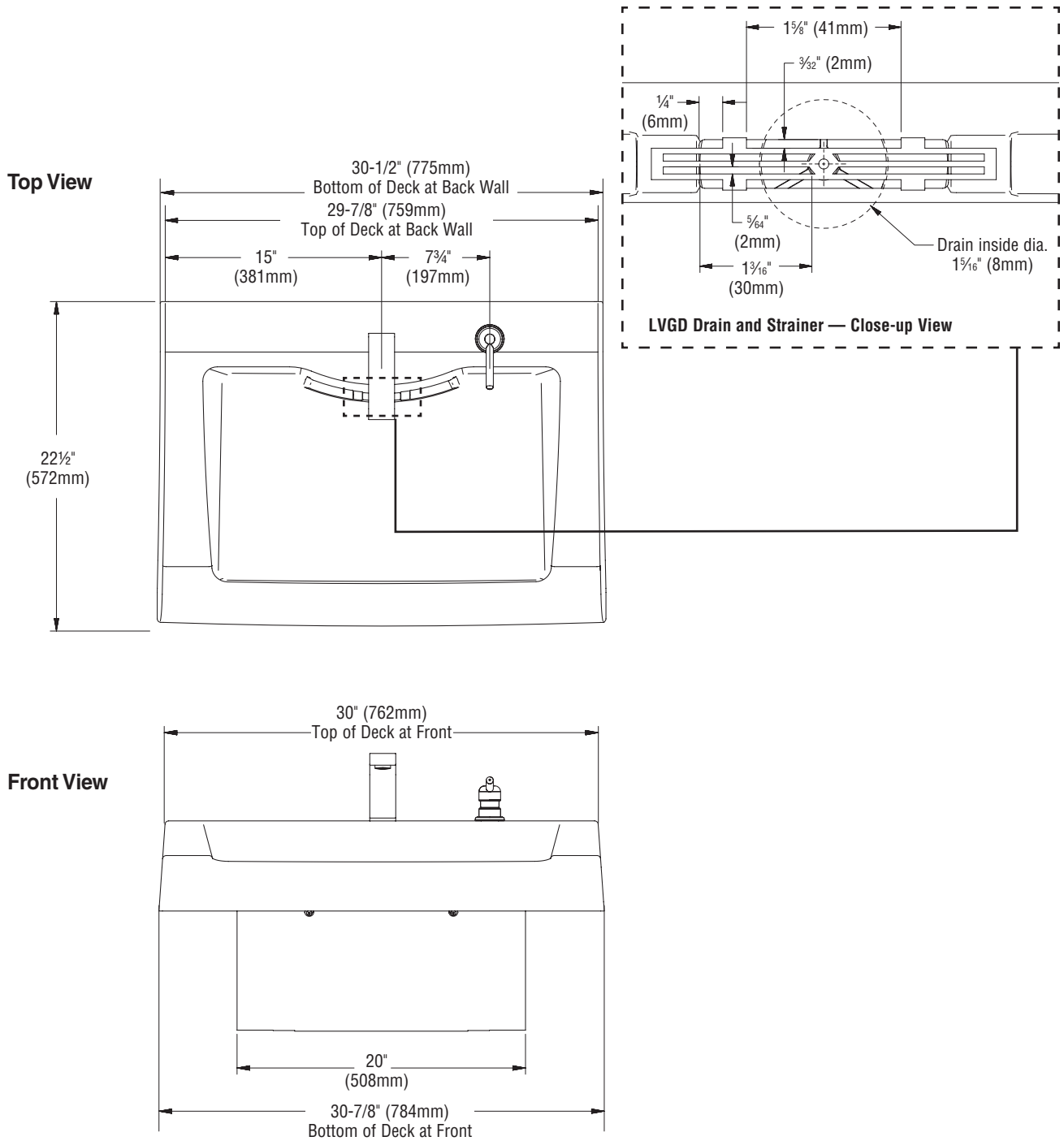
For more information on Evero Natural Quartz Surface, faucets, valves, transformers, and the soap dispensers, please visit [bradleycorp.com](http://bradleycorp.com).





# LVGD1 Verge® Wash Basin – LVG-Series

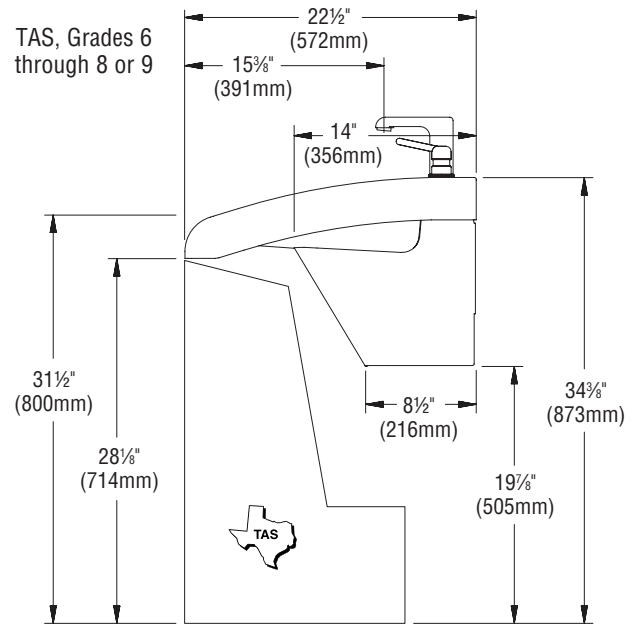
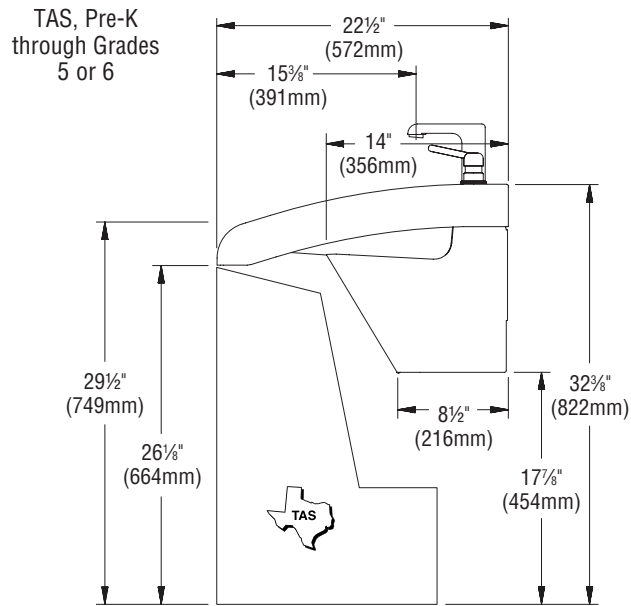
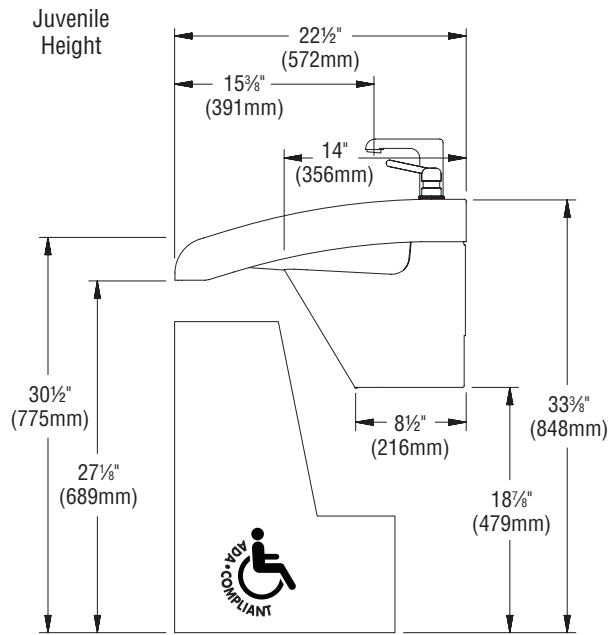
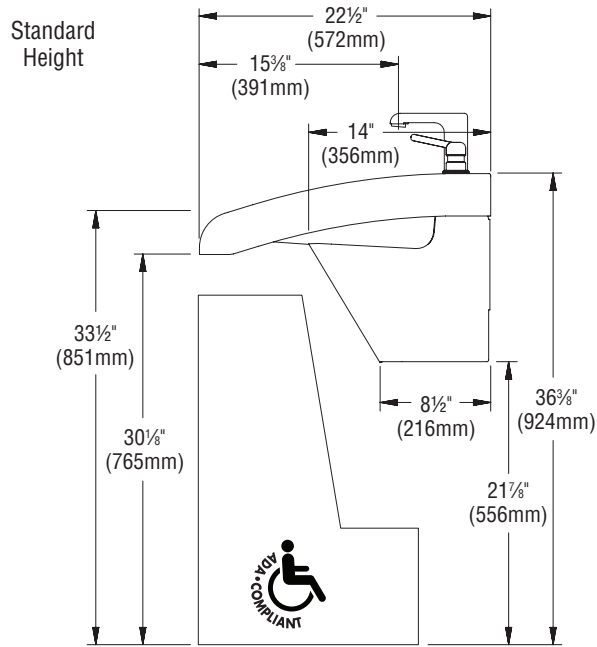
## Dimensions for LVGD1 Verge Wash Basin





# LVGD1 Verge® Wash Basin – LVG-Series

## Dimensions for LVGD1 Verge Wash Basin



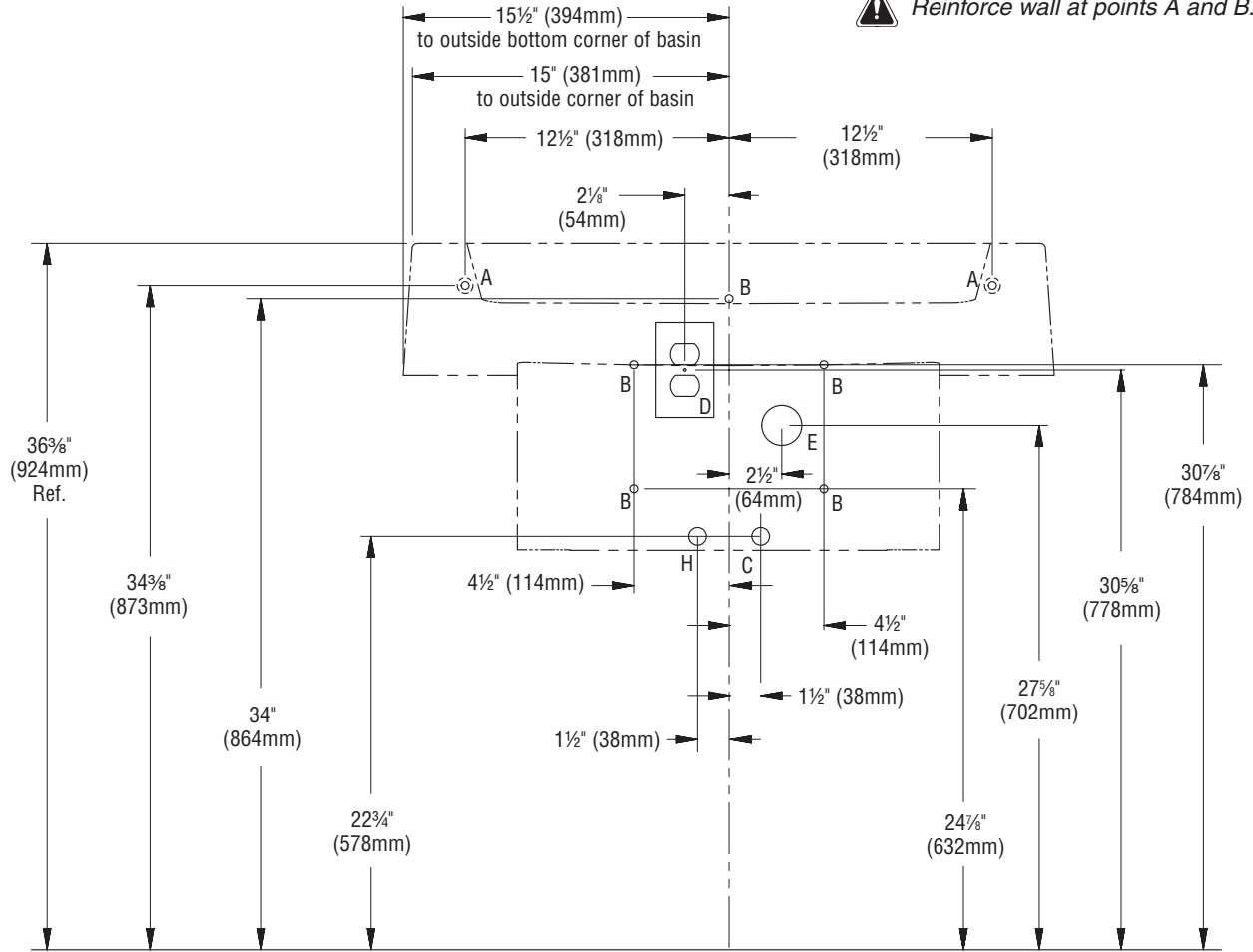


# LVGD1 Verge® Wash Basin – LVG-Series

## Rough-Ins for LVGD1 Verge Wash Basin

Standard rough-in shown.

Reinforce wall at points A and B.



CODE	DESCRIPTION	QTY.
A	3/8" Lav Deck Bowl Anchors with a Minimum Pull-Out Force of 1,000 lbs. (reinforce walls at anchor points)	2
B	3/8" Lav Deck Frame Anchors with a Minimum Pull-Out Force of 1,000 lbs. (reinforce walls at anchor points)	5
H, C	1/2" Hot/Cold Supplies, Stub-Out 2" From Wall	1
D	110v GFI Protected Electrical Outlet (AC faucet and soap only)	1
E	1 1/2" NPT Drain, Stub-Out 2" from Wall	1
RIM HEIGHT	VERTICAL HEIGHT ADJUSTMENTS FOR CODES A-E and H	FIXTURE STYLE
33 1/2"	None	Standard Height
31 1/2"	Subtract 2"	TAS, Grades 6 through 8 or 9
29 1/2"	Subtract 4"	TAS, Pre-K through Grades 5 or 6
30 1/2"	Subtract 3"	Juvenile Height