

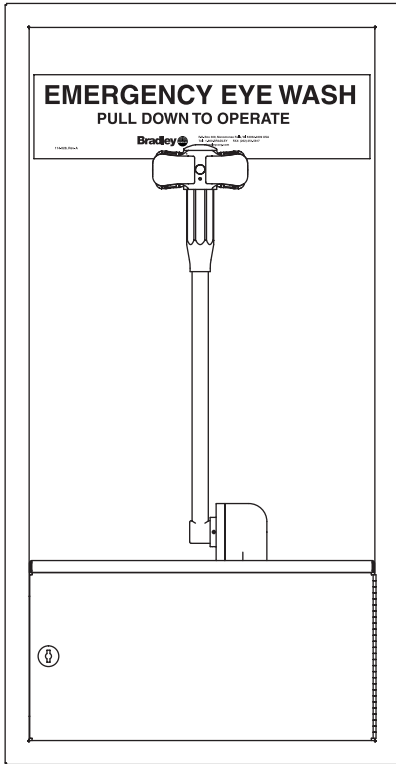
Installation

S19284HB (Eyewash) S19284JB (Eye/Face Wash)

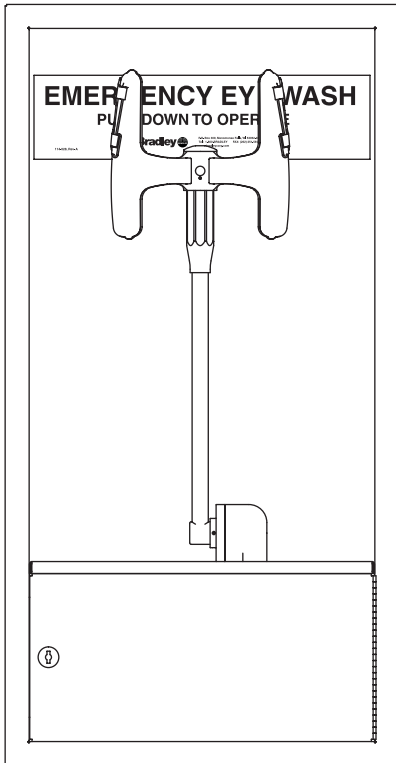
Barrier-Free Cabinet-Mounted Swing-Down
Eyewash and Eye/Face Wash

Table of Contents

Pre-Installation Information	2
S19284HB Dimensions	3
S19284JB Dimensions	4
Installation	5
S19284HB Assembly of Components	6
S19284JB Assembly of Components	7
S19284HB and S19284JB Parts List	8



S19284HB



S19284JB



WARNING

Flush the water supply lines before beginning installation and after installation is complete. Test the unit for leaks and adequate water flow. Main water supply to the eyewash should be "ON" at all times. Provisions shall be made to prevent unauthorized shutoff.

CAUTION

Emergency equipment must be supplied with tepid water (60°F to 100°F/15.6°C to 37.8°C). Any prolonged exposure to near freezing water affects the body's ability to maintain body temperature, increasing the risk of hypothermia.

NOTICE

Before installing this product, ensure that there are adequate clearances around the product and activation of the product does not interfere with other products or obstructions.

Avoid cleaners containing organic solvents, alcohols and hydrocarbons. Rinse with water after cleaning.

IMPORTANT

The installation and location of all safety drench showers, eye and eye/face washes must comply with the requirements of ANSI/ISEA Z358.1.

Read this installation manual completely to ensure proper installation, then file it with the owner or maintenance department. Compliance and conformity to drain requirements and other local codes and ordinances is the responsibility of the installer.

Separate parts from packaging and make sure all parts are accounted for before discarding any packaging material. If any parts are missing, do not begin installation until you obtain the missing parts.

The ANSI/ISEA Z358.1 standard requires an uninterrupted supply of flushing fluid. Bradley plumbed emergency fixtures require a minimum of 30 PSI (0.21MPa) flowing pressure.

Self-closing spring-loaded valves are not UL classified to ANSI/ISEA Z358.1.

Weekly activation must be conducted on all plumbed emergency equipment to ensure a suitable flushing fluid supply is present and any sediment build-up in the supply line is cleared. Emergency equipment should be inspected monthly to address any maintenance issues ensuring the equipment is in good operating condition and that there are no signs of wear.

Workers who may come in contact with potentially hazardous materials should be trained regarding the placement and proper operation of emergency equipment per ANSI/ISEA Z358.1.

For questions regarding the operation or installation of this product, visit www.bradleycorp.com or call 800-BRADLEY (272.3539).

Product warranties and parts information may also be found under "Products" on our web site at bradleycorp.com.

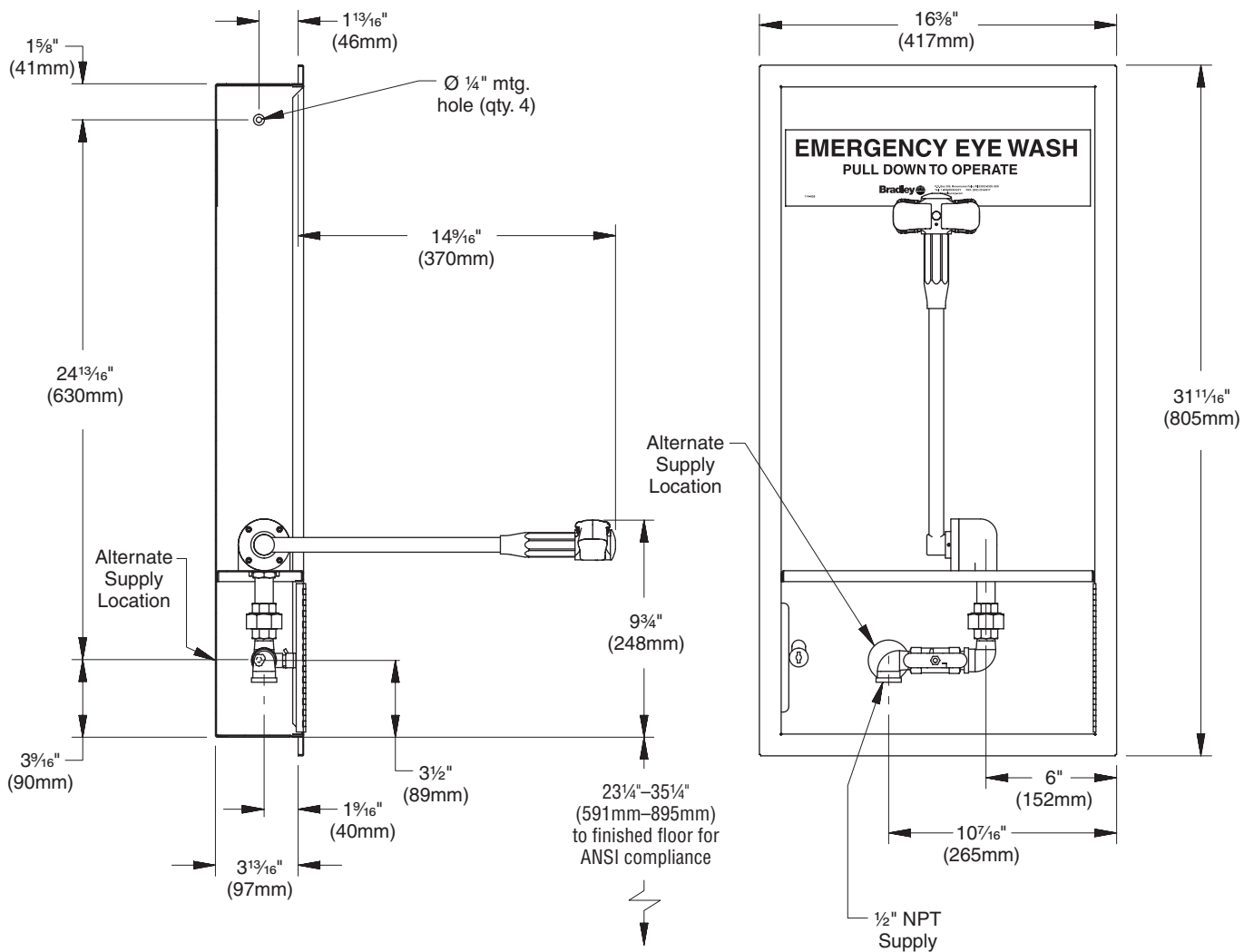
Supplies Required:

- Piping to ½" NPT water supply inlet on unit
- Bolts for cabinet mounting
- Pipe sealant
- Sign-mounting hardware

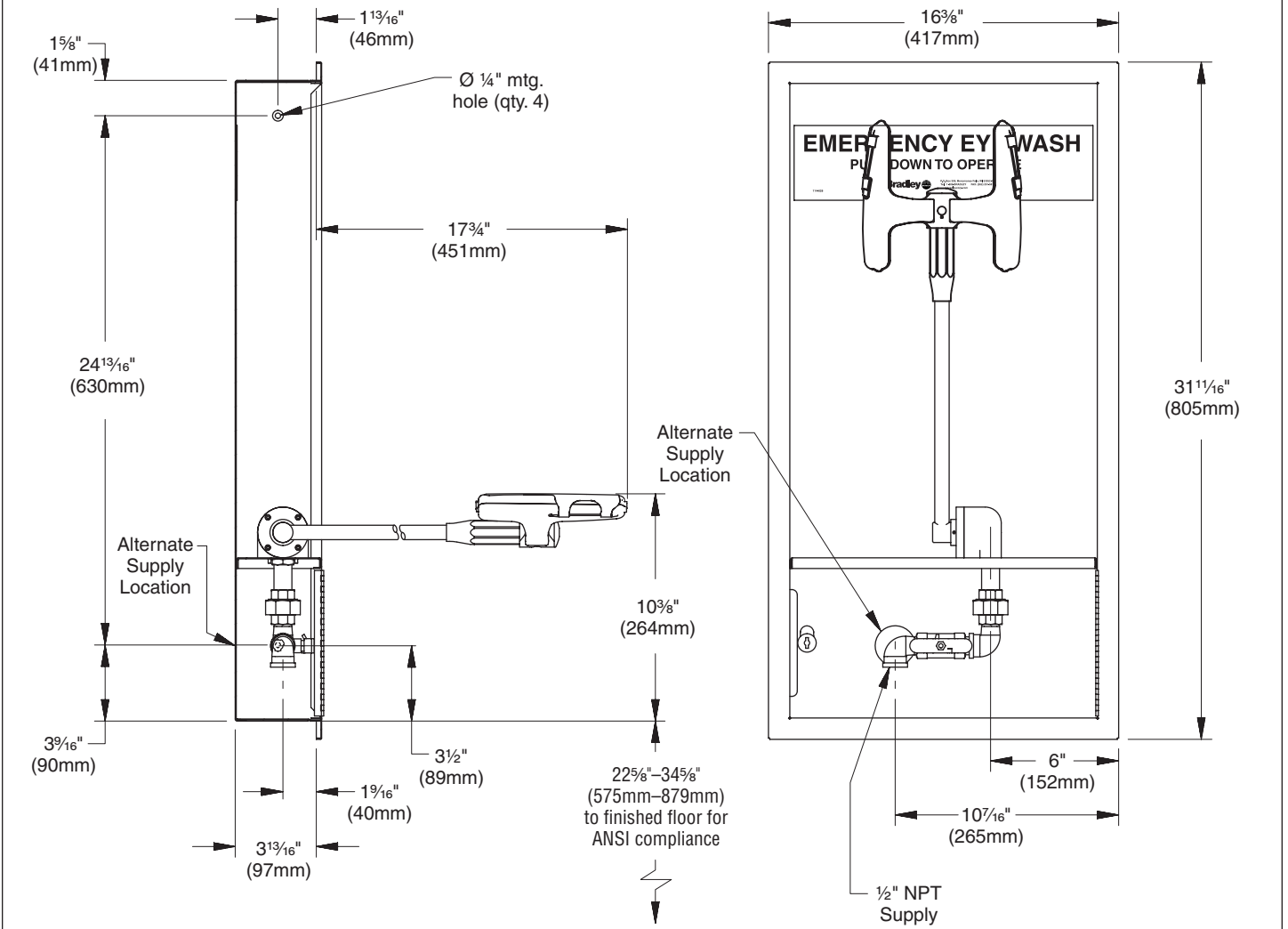


Local codes may require the installation of a backflow prevention valve to complete proper installation. Compliance with local codes is the responsibility of the installer. Valve must be tested annually to verify that it is functioning properly. Backflow prevention valves are not included with the fixture and may be supplied by the contractor or purchased from Bradley Corporation.

S19284HB Dimensions

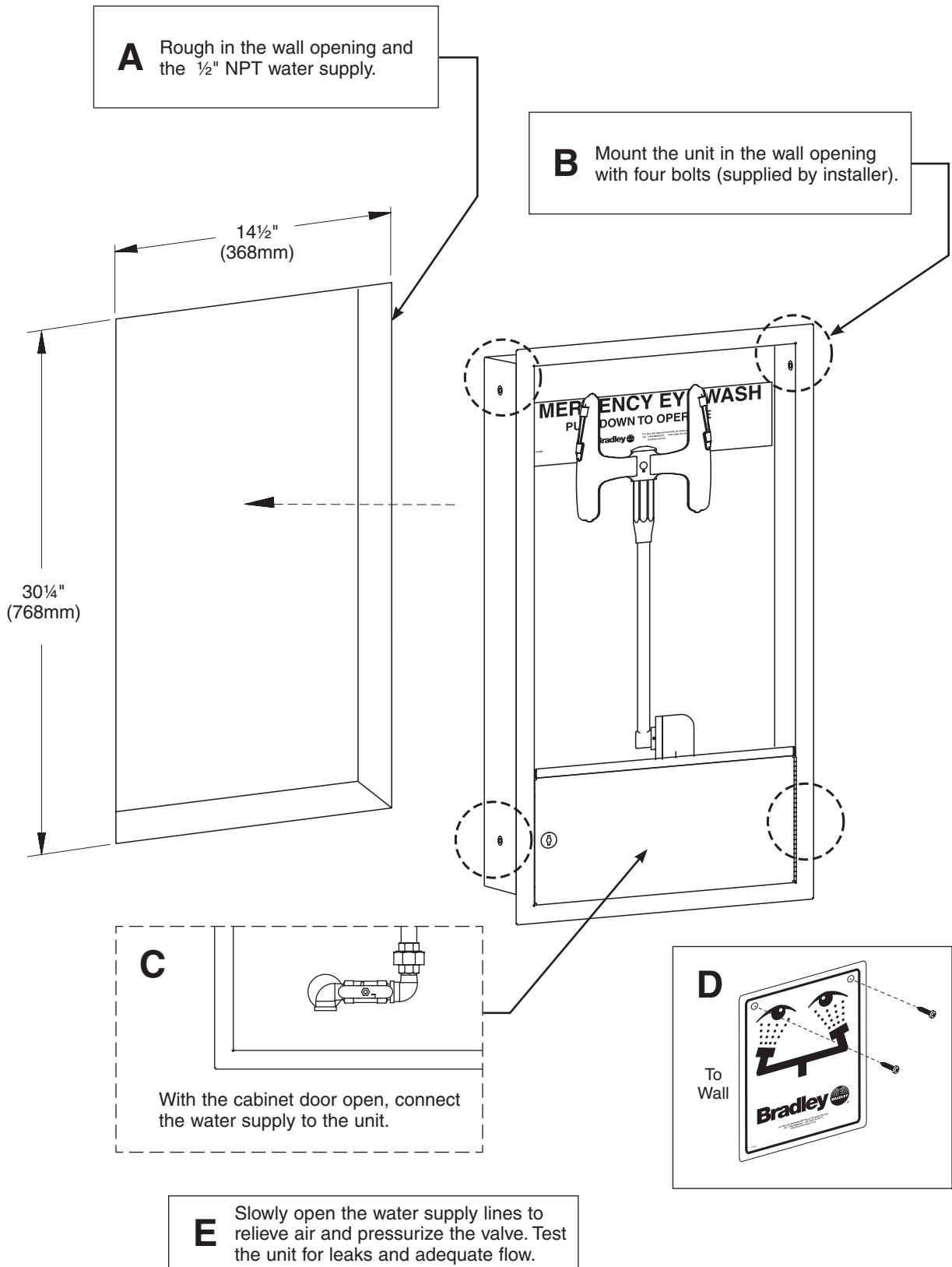


S19284JB Dimensions



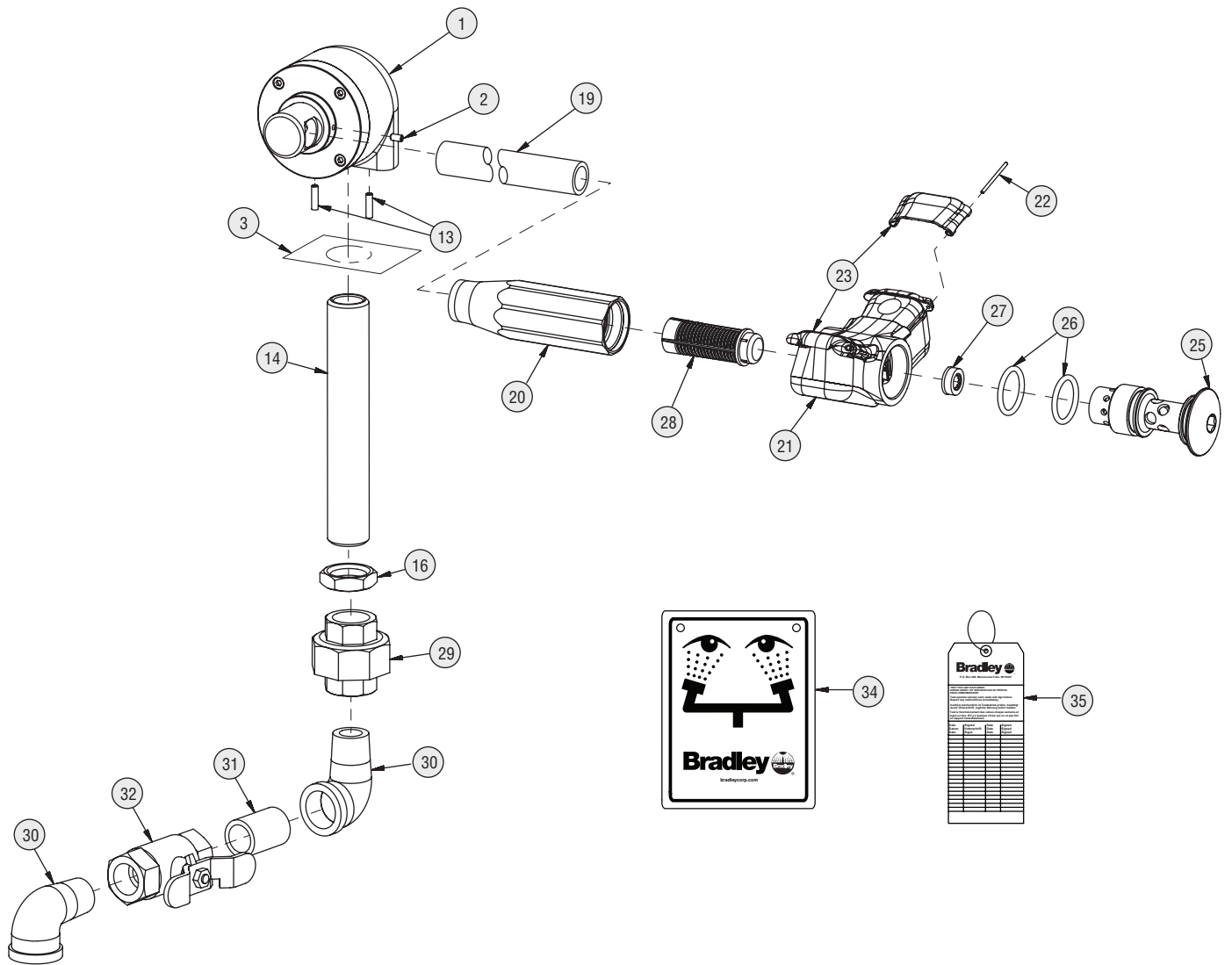
Installation

Halo eye/face wash unit is shown. Halo eyewash unit is similar.



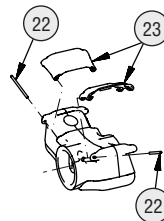
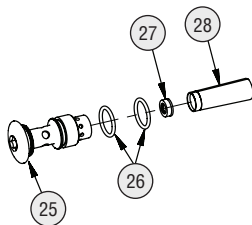
Assembly of Components — S19284HB

Shown in the "ON" position.



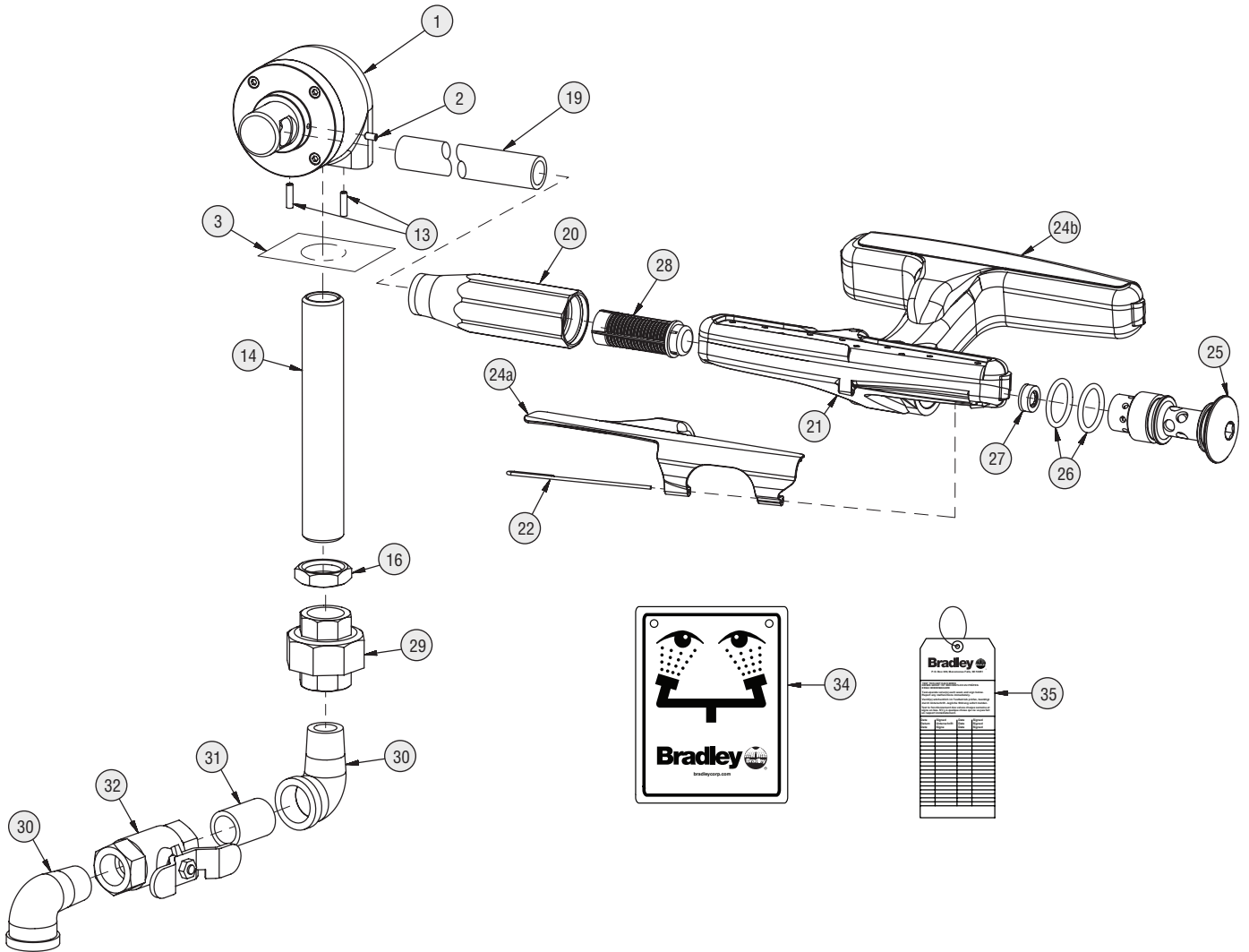
Prepack S65-339 includes items 26, 27, 28
 Prepack S88-068 includes items 25, 26, 27, 28

Eyewash Cover Prepack
 S45-2675 includes items
 22 and 23

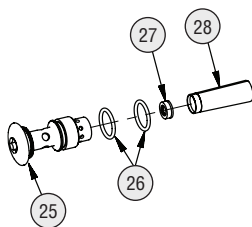


Assembly of Components — S19284JB

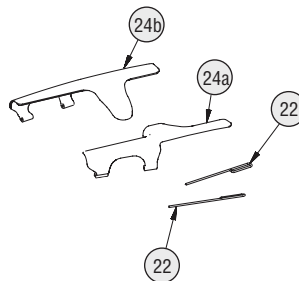
Shown in the "ON" position.



Prepack S65-339 includes items 26, 27, 28
Prepack S88-068 includes items 25, 26, 27, 28



Eye/Face Wash Cover
Prepack S45-2676 includes
items 22, 24a and 24b



Parts List — S19284HB

Item	Part No.	Qty	Description	Item	Part No.	Qty	Description
1*	N/A	1	Valve not available for service; must replace with S39-827BF.	23	in service kit	2	Flip Cover, Eyewash
2	160-473	1	Screw, Set	25	115-158	1	Cap
3	S39-812	1	Cabinet Assembly	26	125-157	2	O-Ring
13	160-474	2	Screw, Set	27	125-175	1	Flow Control
14	113-514	1	Shank, 1/2" x 2 1/2"	28	S65-340	1	Screen (incl. 3 per pack)
16	110-115	1	Nut, Brass 1/2"-14 NPSM	29	169-348	1	Union
19	113-1230	1	Pipe, 3/8" x 11 1/4" Chrome Red Brass	30	169-639	2	90° Street Elbow
20	171-006	1	Body, Mount 3/8" NPT Female	31	113-006DH	1	Nipple, Close
21	S05-190	1	Sprayhead Ass'y Eyewash (includes)	32	S27-342	1	Stop Valve
22	in service kit	2	Pivot Pin	34	114-051	1	Safety Sign
				35	204-421	1	Emergency Inspection Tag

* S39-827BF includes Items 1, 2, 13, 14, 16, 19, 20, 21 (less flip covers and pivot pins), 25, 26, 27, 28. The sprayhead assembly in this kit does not include flip covers or pivot pins. Therefore, Service Kit S45-2675 must be ordered separately.

Parts List — S19284JB

Item	Part No.	Qty	Description	Item	Part No.	Qty	Description
1*	N/A	1	Valve not available for service; must replace with S39-828BF.	24b	in service kit	1	Flip Cover, Left
2	160-473	1	Screw, Set	25	115-158	1	Cap
3	S39-812	1	Cabinet Assembly	26	125-157	2	O-Ring
13	160-474	2	Screw, Set	27	125-175	1	Flow Control
14	113-514	1	Shank, 1/2" x 2 1/2"	28	S65-340	1	Screen (incl. 3 per pack)
16	110-115	1	Nut, Brass 1/2"-14 NPSM	29	169-348	1	Union
19	113-1230	1	Pipe, 3/8" x 11 1/4" Chrome Red Brass	30	169-639	2	90° Street Elbow
20	171-006	1	Body, Mount 3/8" NPT Female	31	113-006DH	1	Nipple, Close
21	S05-192	1	Sprayhead Ass'y Eye/Face Wash (incl.)	32	S27-342	1	Stop Valve
22	in service kit	2	Pivot Pin	34	114-051	1	Safety Sign
24a	in service kit	1	Flip Cover, Right	35	204-421	1	Emergency Inspection Tag

* S39-828BF includes Items 1, 2, 13, 14, 16, 19, 20, 21 (less flip covers and pivot pins), 25, 26, 27, 28. The sprayhead assembly in this kit does not include flip covers. Therefore, Service Kit S45-2676 must be ordered separately.