



**Frameless mirror:**

- Model 747-XXXX with Clip Fasteners (Specify width and height)
- Model 747-024360 (24" x 36") **Bradex**<sup>®</sup>
- Model 747-030360 (30" x 36") **Bradex**<sup>®</sup>

**Product Materials**

**MIRROR:** first quality 1/4" float glass, thermosetting infrared-cured paint backing. Manufactured in accordance with ASTM C 1036 and ASTM C 1503. Edges ground and polished smooth.

**Installation**

Verify all rough-in dimensions prior to installation.

**MODEL 747:** Secure mounting clips (metal) to wall with screws included, then engage mirror into clips.

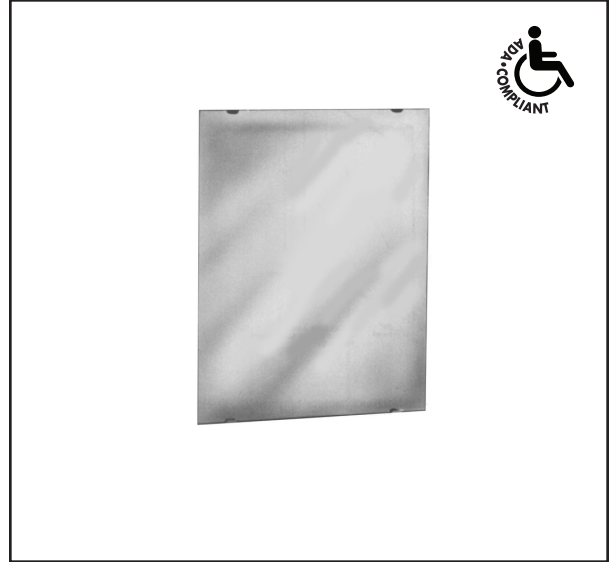
**Guide Specification**

Frameless mirror shall be of first quality 1/4" float glass, guaranteed for 15 years against silver spoilage. Edges ground and polished smooth.

**Frameless Mirror shall be Bradley Model 747-\_\_\_\_\_ " W x \_\_\_\_\_ " H (specify width and height).**

Model 747 series frameless mirrors can be fabricated to a maximum size of 60"W x 96"H.

Tolerance: +0" / -1/8"



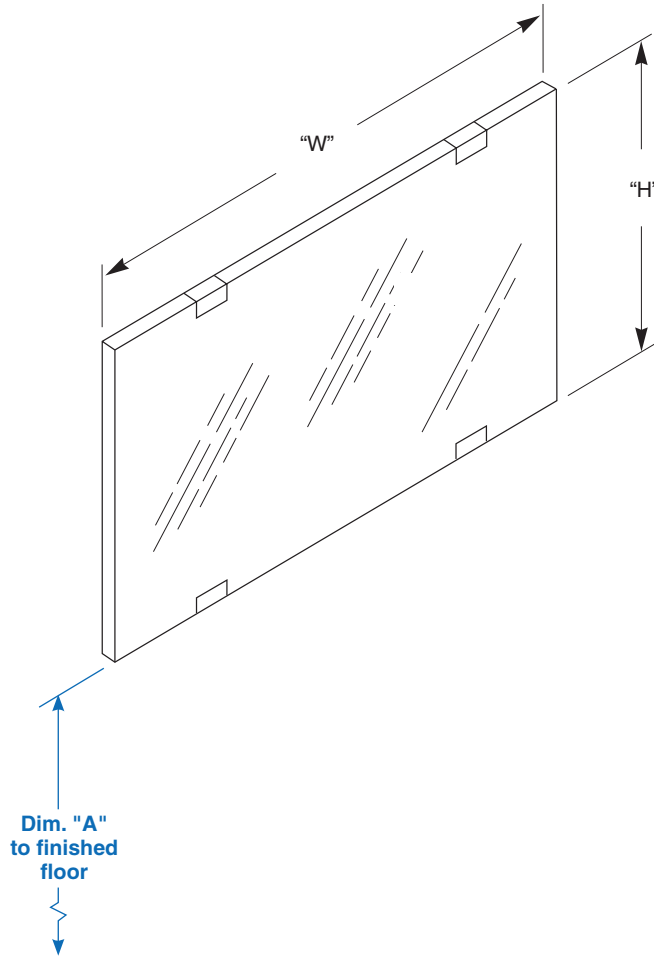
**ADA Compliant**

- Consult local and national accessibility codes for proper installation guidelines.
- Conformity and compliance to local and national codes is the responsibility of the installer.

Orders composed of products indicated as **Bradex**<sup>®</sup> will be available to ship in three days after receipt of order at the factory. There is no pricing penalty for this service from Bradley.



Dimensions



<b>Dim. "A" Key Surface:</b>	For Dim. "A"	Bottom of Unit*
Mirror's bottom edge of the reflecting surface to finished floor	40" (1016mm)	Same as Dim "A"
	37" (940mm)	Same as Dim "A"
	34" (864mm)	Same as Dim "A"
<b>Rough wall opening:</b>		
Surface Mount:	No rough wall opening, see overall dimensions	

\*The mirror is frameless which means the bottom of unit equals the reflective surface.

Orders composed of products indicated as **Bradex**® will be available to ship in three days after receipt of order at the factory. There is no pricing penalty for this service from Bradley.