

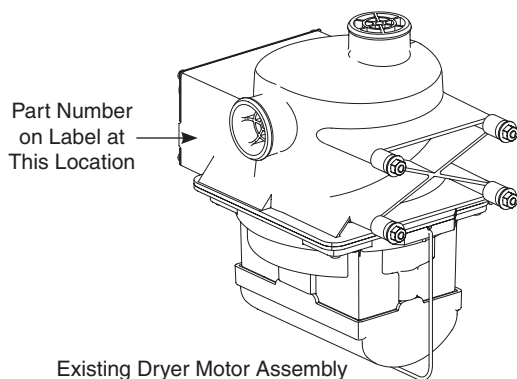
Installation

S65-403

Advocate 120V Dryer Motor Assembly Retrofit Kit

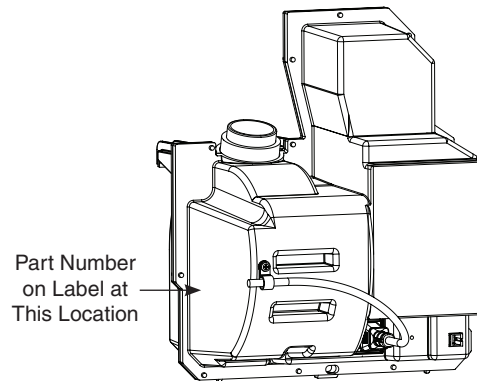


For additional information, reference Advocate AV Installation Manual 215-1771.



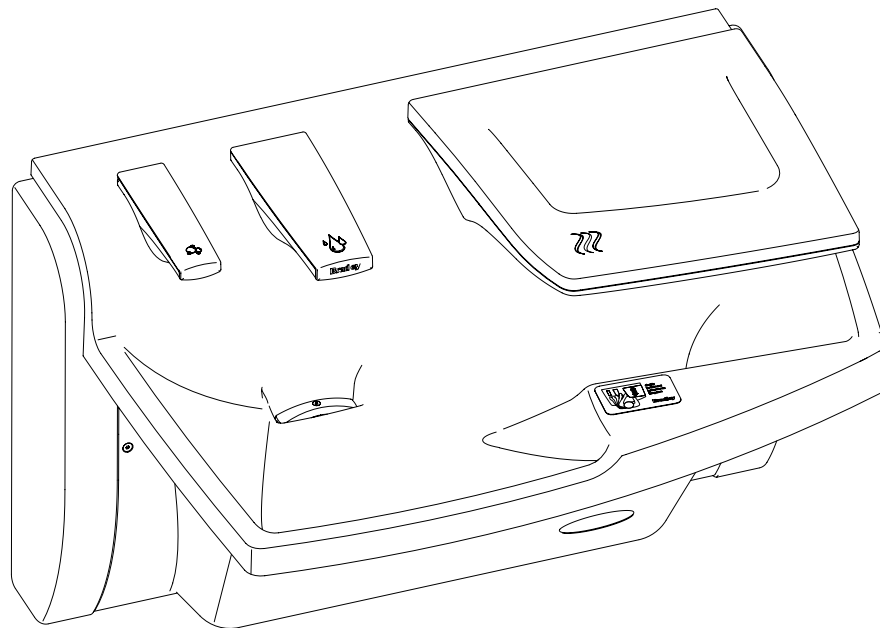
Part Number
on Label at
This Location

Existing Dryer Motor Assembly
with Brushed Motor (S39-818)

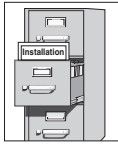


Part Number
on Label at
This Location

New 120V Dryer Motor
Assembly with Brushless Motor
(S39-835)



IMPORTANT!



Read this entire installation manual to ensure proper installation. When finished with the installation, file this manual with the owner or maintenance department.

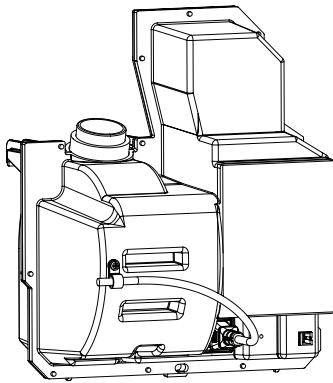


Separate parts from packaging and make sure all parts are accounted for before discarding any packaging material. If any parts are missing, do not begin installation until you obtain the missing parts.

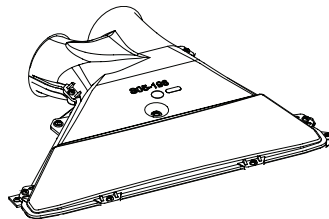


Product warranties may be found under "Product Information" on our web site at www.bradleycorp.com.

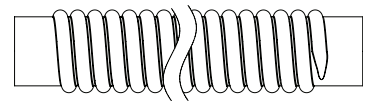
Components



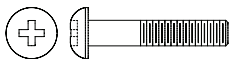
BLDC Motor Assembly, 120V
(S39-835)



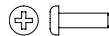
Upper Plenum Assembly
(S05-198)



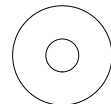
Exhaust Hose (2)
(269-2130)



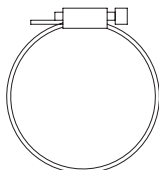
10-24 x 1 Pan Screw
(160-353)



4-40x3/8" Pan Screw
(160-478)



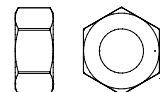
.203 x .547 x 18GA Flat
Washer (142-002AZ)



Hose Clamp
(269-678)



Flat Washer, #4
(142-078)



10-24 Hex Nut
(161-025)

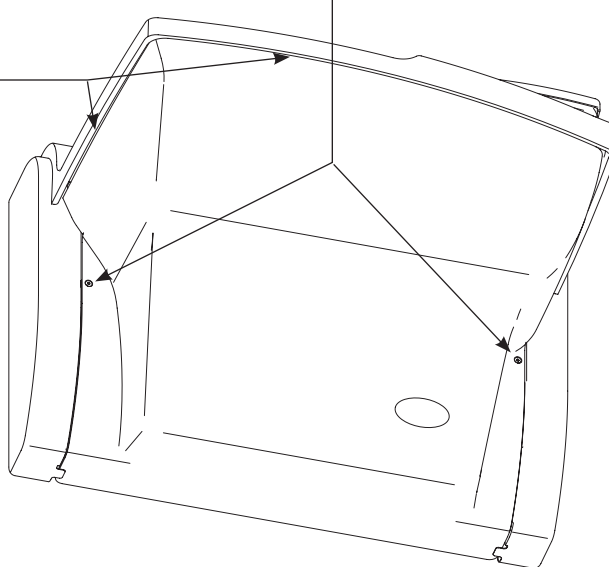
Supplies Required

- 5/16" Socket Driver
- Allen Key Set (ball drives preferable)
- Screwdrivers
 - Medium Straight Blade
 - Medium Phillips
 - Small Phillips
- Adjustable Wrench
- Side Cutter

1 Remove the Trap Cover

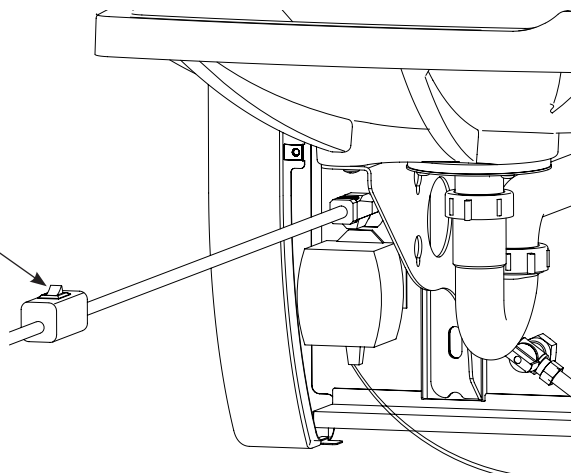
A Remove the two #10 x 1/2" flat head screws and set aside. Use 1/8" hex driver to remove trap cover.

B Rotate the trap cover down and pull towards you to remove and set aside.

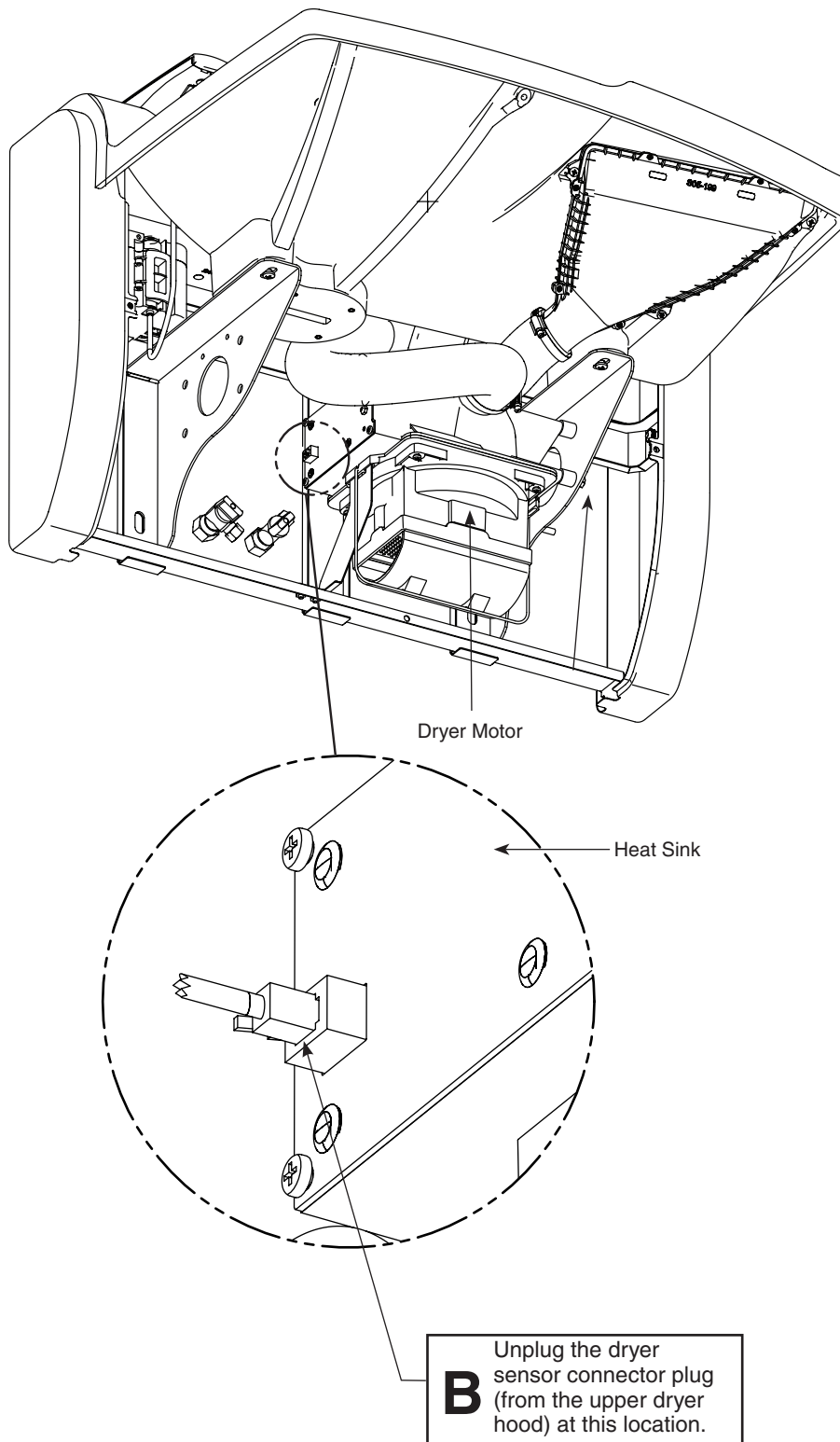


2 Unplug Dryer Cord

A Turn the dryer on/off switch to the OFF position. Unplug dryer cord.



3 Unplug Dryer Connector Plug



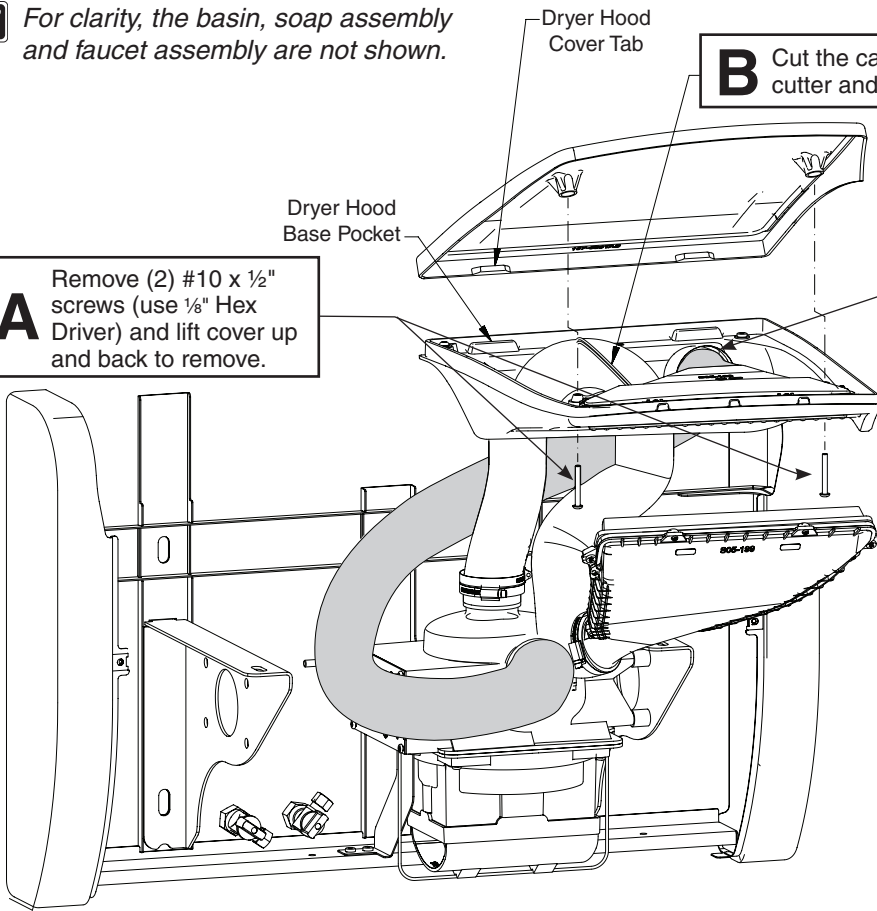
4 Remove Dryer Plenum Air Hose Assemblies

For clarity, the basin, soap assembly and faucet assembly are not shown.

A Remove (2) #10 x 1/2" screws (use 1/8" Hex Driver) and lift cover up and back to remove.

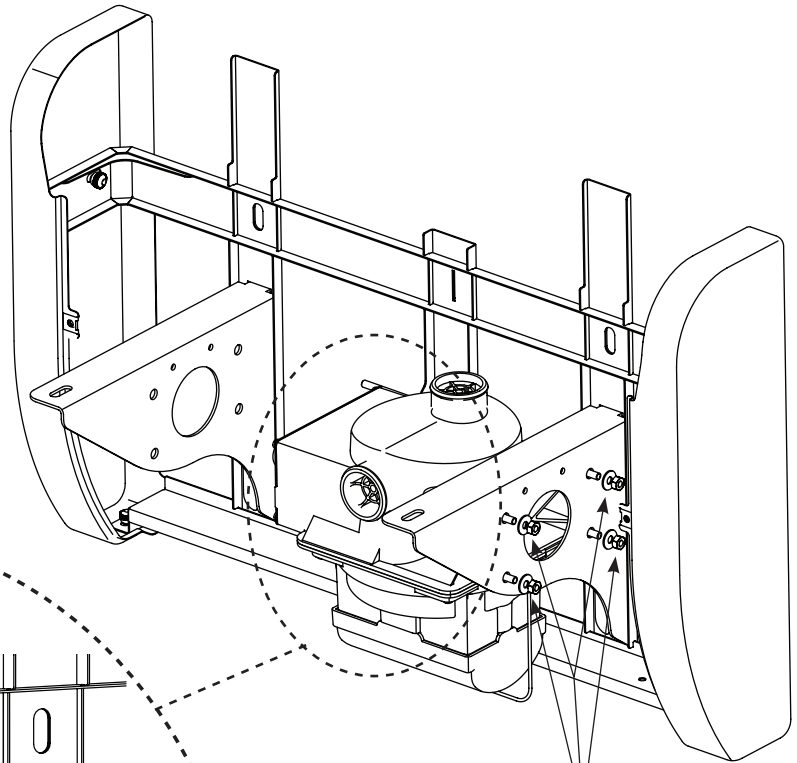
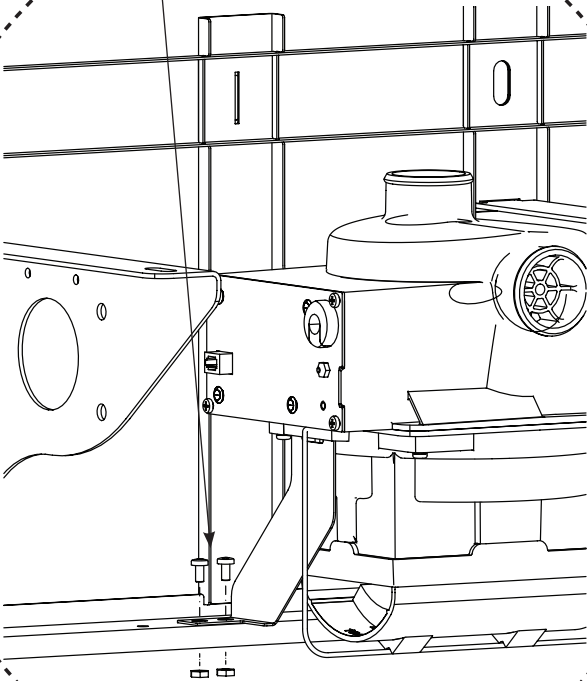
B Cut the cable tie using a side cutter and discard.

C Loosen all 4 hose clamps using a 5/16" socket driver and remove both existing air hoses. Set hose clamps aside to reuse. Discard existing hoses.



5 Remove Existing Motor

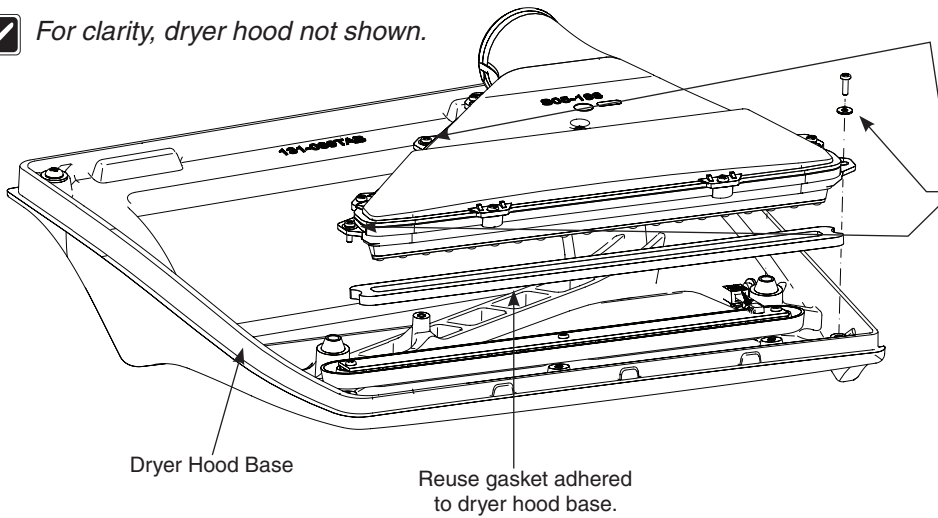
A Remove 2 screws and nuts to remove existing dryer motor assembly support bracket.



B Remove 4 nuts and washers to remove existing dryer motor assembly from frame and discard.

6 Remove Existing Upper Plenum

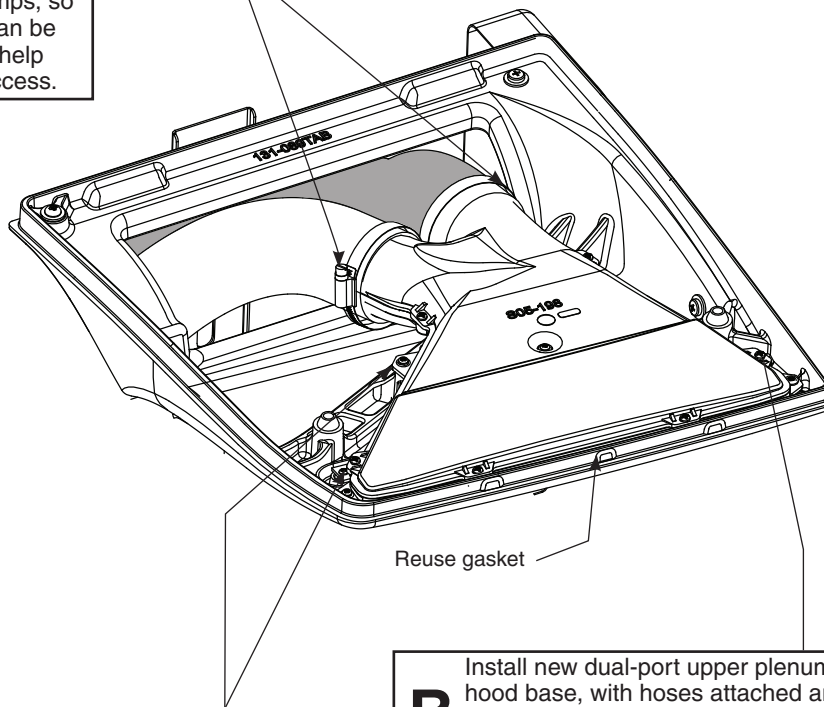
 For clarity, dryer hood not shown.



A Remove existing upper plenum by removing the (3) #4 screws and washers.

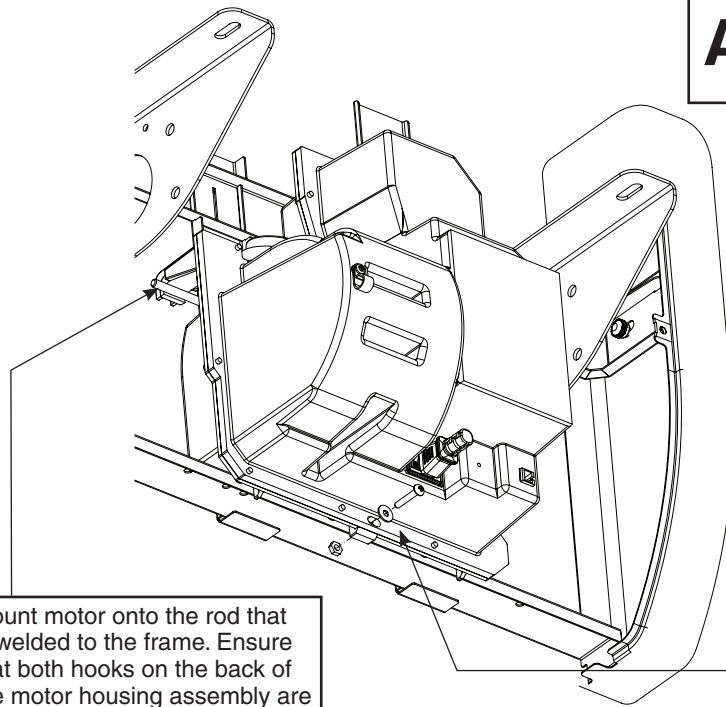
7 Install Dual-Port Upper Plenum

A Attach hoses to upper plenum using a 5/16" socket driver to tighten the hose clamps. Orient worm gears to the sides, with the hex head facing vertically upwards on both clamps, so that the dryer hood can be closed. This will also help with future service access.



B Install new dual-port upper plenum to the dryer hood base, with hoses attached and routed through the opening as shown, using the (3) #4 screws and washers as shown.

8 Attach New Motor



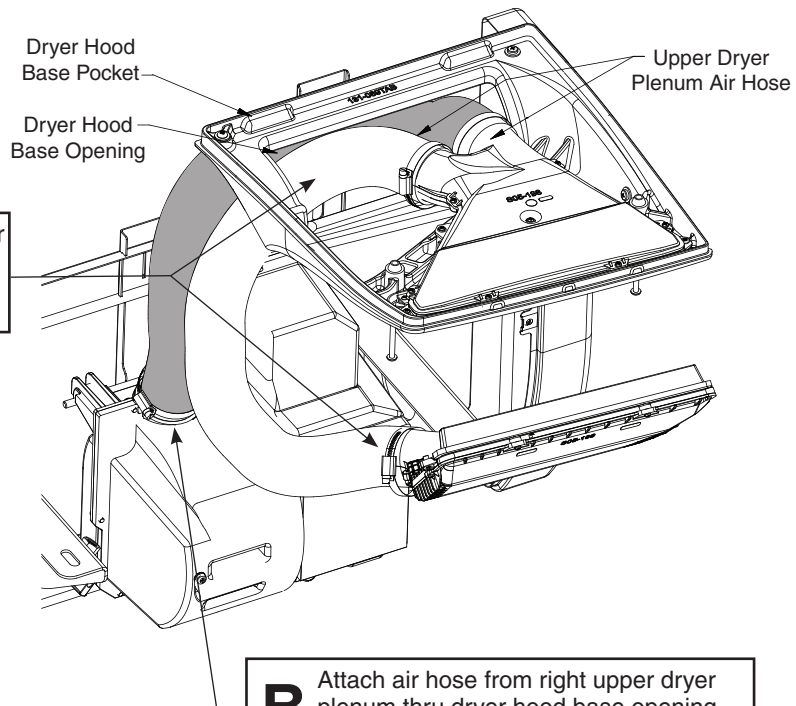
A Temporarily move the free ends of dryer air hoses out of the area that the motor assembly will be installed into.

B Mount motor onto the rod that is welded to the frame. Ensure that both hooks on the back of the motor housing assembly are engaged on the rod.

C Affix the motor bottom frame member using #10 screw, washer and nut provided.

9 Dryer Plenum Air Hose Assemblies

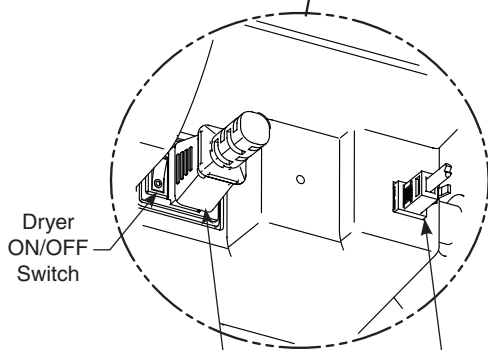
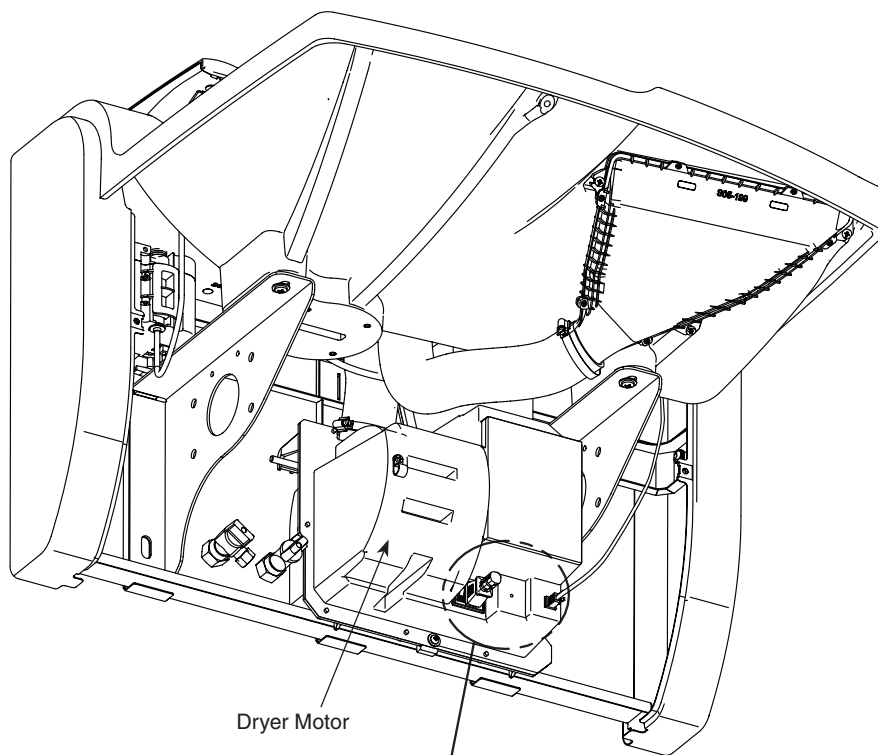
For clarity, the basin, soap assembly and faucet assembly are not shown.



A Attach air hose from left upper dryer plenum thru dryer hood base opening and down to lower dryer plenum.

B Attach air hose from right upper dryer plenum thru dryer hood base opening and down to dryer motor assembly inlet.

10 Dryer Plug-Ins

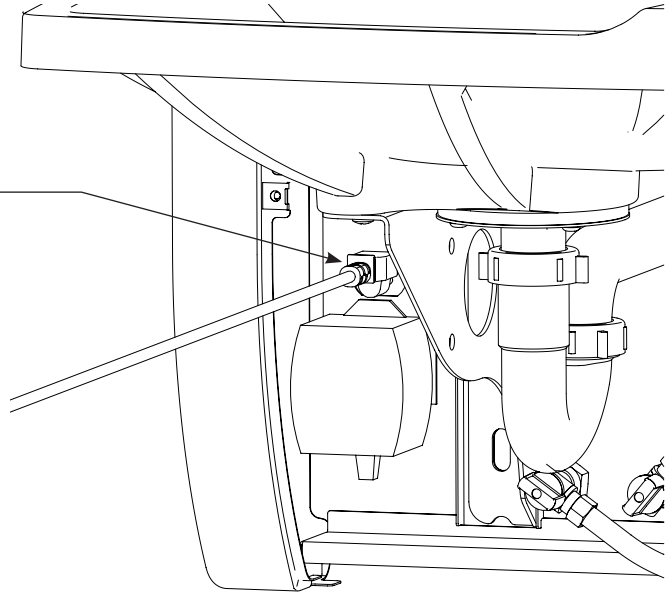


A Insert the dryer sensor connector plug (from the upper dryer hood) at this location.

11 Dryer Cord Plug-In

A Plug the dryer motor power cord into the wall outlet at this location (20 amp circuit required for 120V installation).

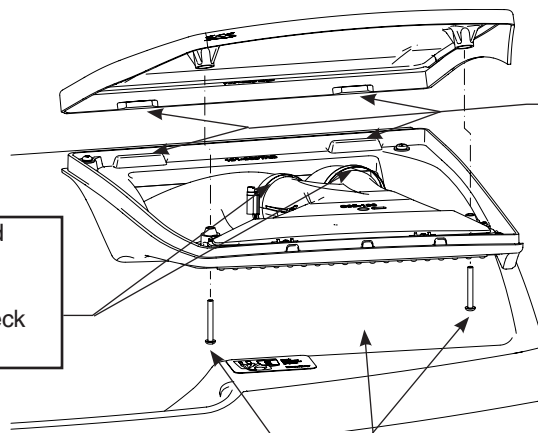
B Turn the dryer on/off switch to the ON position. (Dryer on/off switch shown on page 8.)



12 Check Dryer Activation and Reinstall Dryer Hood

B Feel for air leaks at each end of the 2 air hoses. If a leak is detected, loosen and then reinstall the hose clamp. Check for leaks again.

C If dryer activates and no air leaks are detected, reinstall dryer hood.



D Position the dryer hood cover tabs into the dryer hood base pockets.

A Test dryer for activation by placing hands into dryer cavity, moving hands forward and back.

E Secure the cover to the base with the two #10 x 3/8" screws. Use 1/8" hex driver to install screws.

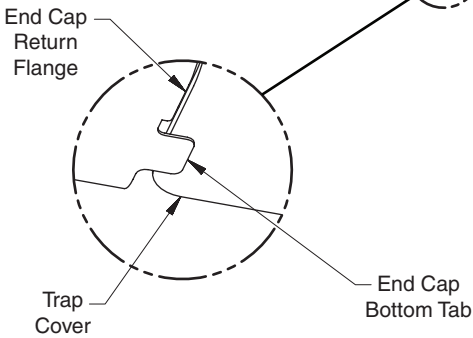
13 Reinstall Trap Cover



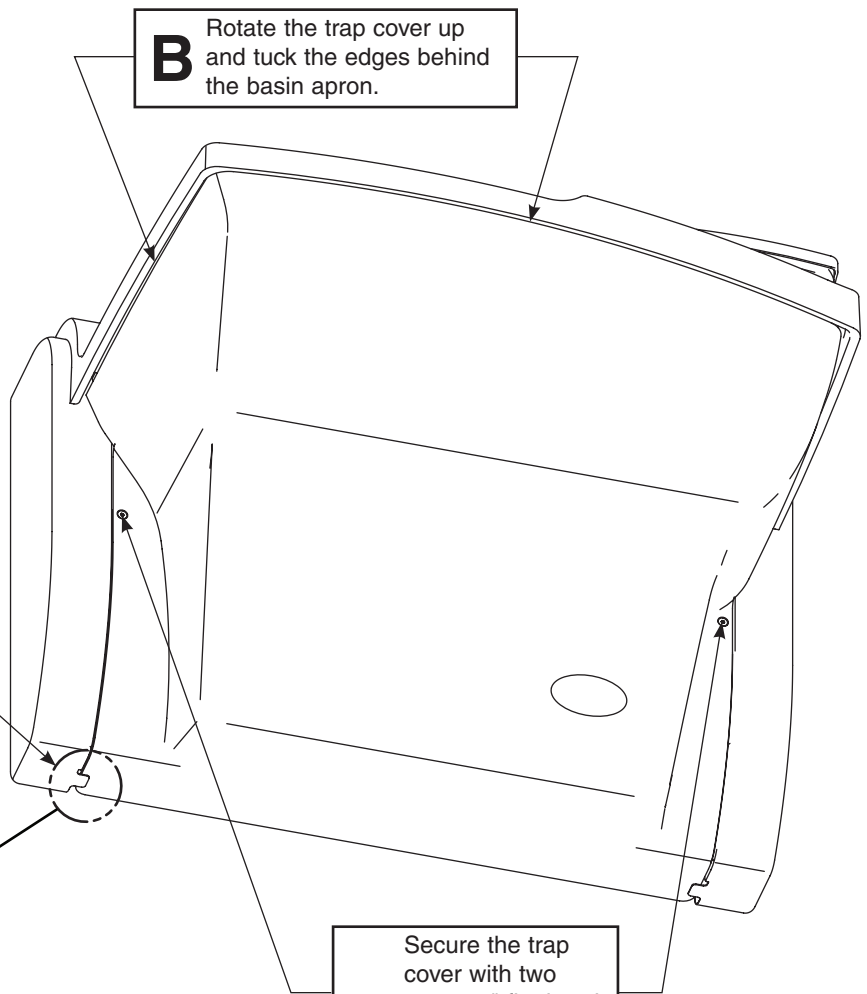
Tuck any loose wires into the frame prior to installing the trap cover to the frame.

B Rotate the trap cover up and tuck the edges behind the basin apron.

A Position the bottom of the trap cover between the end cap return flange and the bottom tab.



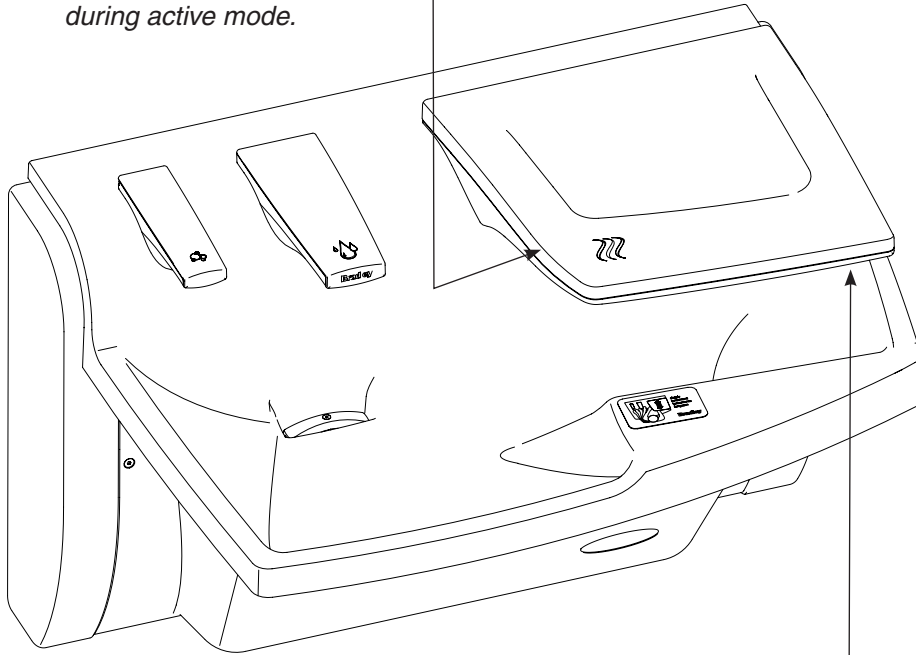
C Secure the trap cover with two #10 x 1/2" flat head screws provided. Use 1/8" hex driver to install trap cover.



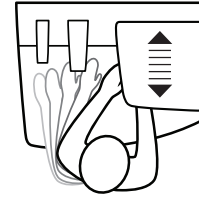
14 Cleaning Mode



The dryer cavity is illuminated in white light during stand-by mode and amber colored during active mode.



Move hands forward and backward.



slowly
lentement
lentamente
langsam

Bradley



To aid in cleaning, the dryer can be deactivated for 30 seconds. To deactivate the dryer, hold your hand beneath the upper dryer hood at this location for three seconds. The light will blink when the dryer is deactivated and will blink again (after 30 seconds) when the dryer is reactivated.