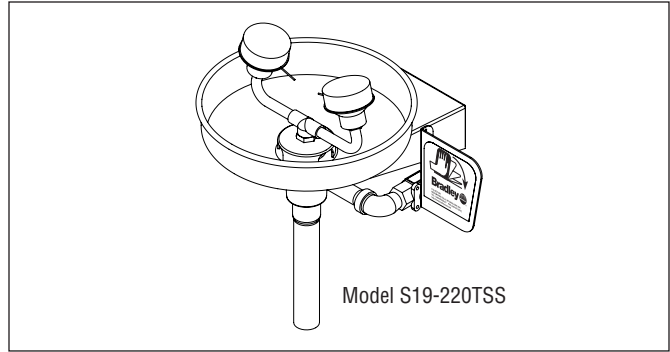


- Complies with American National Standard Z358.1
- All Stainless Steel
- Universal Identification Sign and Inspection Tag Included
- Wall Bracket Included
- Full, One-Year Warranty
- Classified by Underwriters Laboratory Inc. to ANSI Z358.1

Specifications

Unit design saves space and fits easily into any work environment. Eye/face wash operates quickly by a large, highly visible push handle. Safe, steady water flow under varying water supply conditions from 30–90 PSI is assured by integral flow control in the sprayhead assembly. NOTE: The ANSI Z358.1 standard requires an uninterrupted supply of flushing fluid at a minimum 30 PSI flowing pressure. Eye/face wash sprayheads contain an antimicrobial agent to protect the sprayheads.

This plumbing fixture is not intended to dispense water for human consumption through drinking or for preparation of food or beverages.



Model S19-220TSS

Model	Description
<input type="checkbox"/> S19-220TSS	Wall-Mount Eye/Face Wash Unit, All Stainless Steel
<input type="checkbox"/> S19-2000	Navigator EFX8 – Emergency Thermostatic Mixing Valve

Standard Equipment

Eyewash Bowl

10¾" (273mm) diameter corrosion-resistant stainless steel.

Standard Sprayhead Assembly

Twin ABS plastic perforated-disc eye/wash sprayheads with protective sprayhead covers. Safe, steady water flow under varying water supply conditions from 30–90 PSI is assured by integral flow control in the sprayhead assembly. S19-220TSS is all stainless steel except for plastic sprayheads.

Valve

Stainless steel ½" NPT stay-open ball valve. Hand operated by a large, highly visible safety yellow push handle.

Pipe and Fittings

Stainless steel

Wall Bracket

Stainless steel wall bracket. Includes three clearance holes for mounting bracket on a wall (mounting hardware not included).

Waste

1¼" drain fitting and tailpiece furnished.

Water Supply

½" NPT.

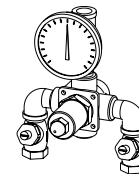
DISCONTINUED



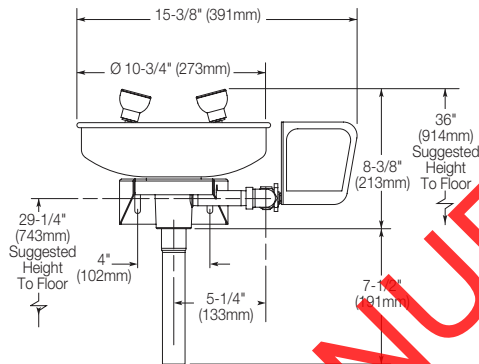
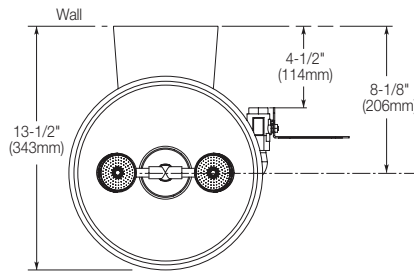
Recommended Option:

Navigator S19-2000 EFX8
 Emergency Thermostatic Mixing Valve

NAVIGATOR



Satisfies ANSI Z358.1
 tepid water requirements.



- Local codes may require the installation of a backflow prevention valve to complete proper installation. Compliance with local codes is the responsibility of the installer. Valve must be tested annually to verify that it is functioning properly. Backflow prevention valves are not included with the fixture and may be supplied by the contractor or purchased from Bradley Corporation.*
- All dimensions assume standard thread engagement. Variations in manufacturing allow for +/- 1/8" (3mm) per threaded joint. To find the tolerance of a dimension, add the number of thread joints in between a dimension and multiply it by 1/8" (3mm).*

DISCONTINUED