



# S19-2150 (EFX20) Emergency Fixture Thermostatic Mixing Valve

- Exceeds ANSI Z358.1
- ASSE 1071 Certified
- Reliable Liquid-Filled Thermostat with 10-Year Warranty
- Integral Strainer Checkstops on Inlets
- Adjustable Set Point within Temperature Range
- Accurate Temperature Control to within  $\pm 3^\circ$  F
- Built-in Cold Water Bypass, Assuring Cold Flow
- Positive Shutoff of Hot Supply When Cold Supply is Lost
- Easy Installation and Serviceability
- Dirt and Lime Resistant
- Dial Thermometer
- Factory Assembled and Tested
- Universal Mounting Capability
- Cabinet Features:
  - 18 Gauge Body & Door
  - Left-Hand Hinge
  - Cylinder Lock
  - Inlet/Outlet Knock-Out Holes for Mounting Flexibility
  - Stainless Steel or Baked White Enamel Finishes
  - Surface-Mounted or Recessed Style



## Valve Model

Model	Description
<input type="checkbox"/> S19-2150	Emergency Fixture Thermostatic Mixing Valve

## Valve Specifications

**Maximum Operating Pressure**  
125 PSI (860 kPa)

**Maximum Inlet Temperature**  
180° F (82° C)

**Recommended Inlet Temperature**  
120° F (49° C) – 140° F (60° C)

<b>Temperature Range</b>	<b>Set Point</b>
<b>Std.</b> 65° F (18° C) to 90° F (32° C)	85° F (29° C)

### Flow Capacities – GPM

Model	Min. Flow	Pressure Drop – PSI						
		5	10	15	20	30	45	60
S19-2150	3	6.0	9.5	12.5	15.0	19.5	25.5	30.5

Minimum cold water bypass at 30 PSID: 8.0 GPM

### Flow Capacities – L/Min

Model	Min. Flow	Pressure Drop – Bar						
		.5	1.0	1.5	2.0	2.5	3.0	4.0
S19-2150	11.5	29.0	46.0	60.0	72.0	83.5	96.5	113.5

Minimum cold water bypass at 2.1 Bar: 30.3 L/Min

### Application

[Drench Showers](#)

Complies with  
ANSI/ISEA Z358.1

## Configurable Valve Model (select one)

Model	Description
<input type="checkbox"/> EFX20	EFX20 Thermostatic Mixing Valve with Options
<input type="checkbox"/> CAB-EFX20	EFX20 Thermostatic Mixing Valve <b>Cabinet Only</b>

## Optional Valve Selections

<b>Finish</b>	
<input type="checkbox"/> R	Rough Brass (standard)
<input type="checkbox"/> C	Chrome Plated
<b>Bracket</b>	
<input type="checkbox"/> B	Wall Mounting Bracket
<input type="checkbox"/> O	None
<b>Piped Assembly</b>	
<input type="checkbox"/> P	Piped Assembly with Inlet and Outlet Shutoff
<input type="checkbox"/> N*	Piped Assembly only
<input type="checkbox"/> O	None
<b>Optional Cabinet Selections</b>	
<b>Cabinets (includes bracket)</b>	
<input type="checkbox"/> SS	Surface Mount Stainless Steel
<input type="checkbox"/> RS	Recessed Stainless Steel
<input type="checkbox"/> SE	Surface Mount White Enamel
<input type="checkbox"/> RE	Recessed White Enamel
<input type="checkbox"/> O	None
<b>Window</b>	
<input type="checkbox"/> W	Plexi-Glass Window in Door
<input type="checkbox"/> O	None

\*Requires cabinet selection

## Code Compliance and Certifications

ASSE 1071 & UPC certified.



*This plumbing fixture is not intended to dispense water for human consumption through drinking or for preparation of food or beverages.*

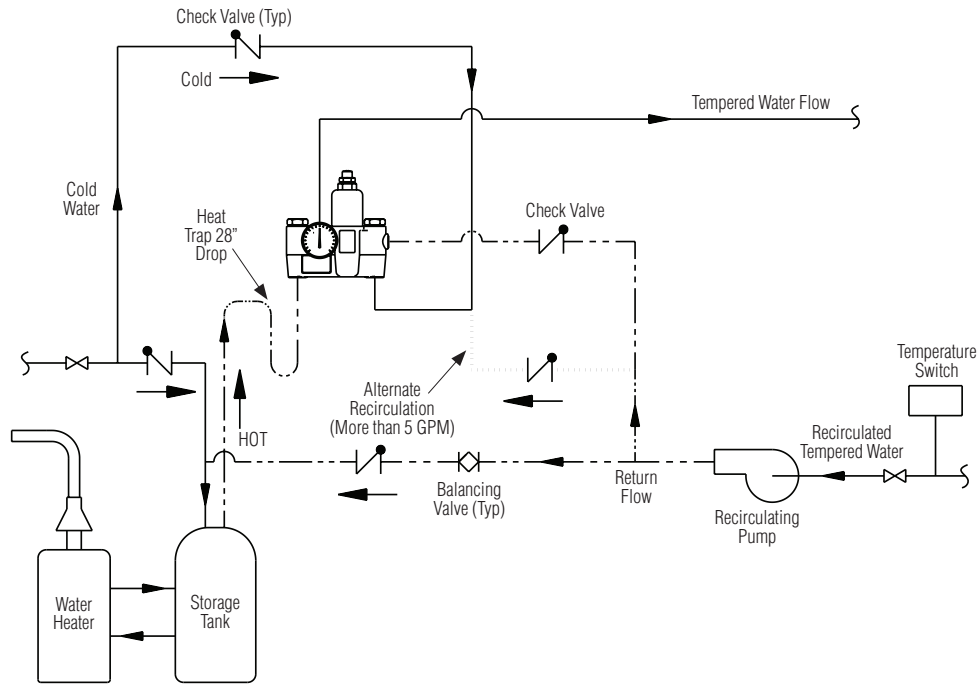
Engineer's Approval \_\_\_\_\_



# S19-2150 (EFX20) Emergency Fixture Thermostatic Mixing Valve

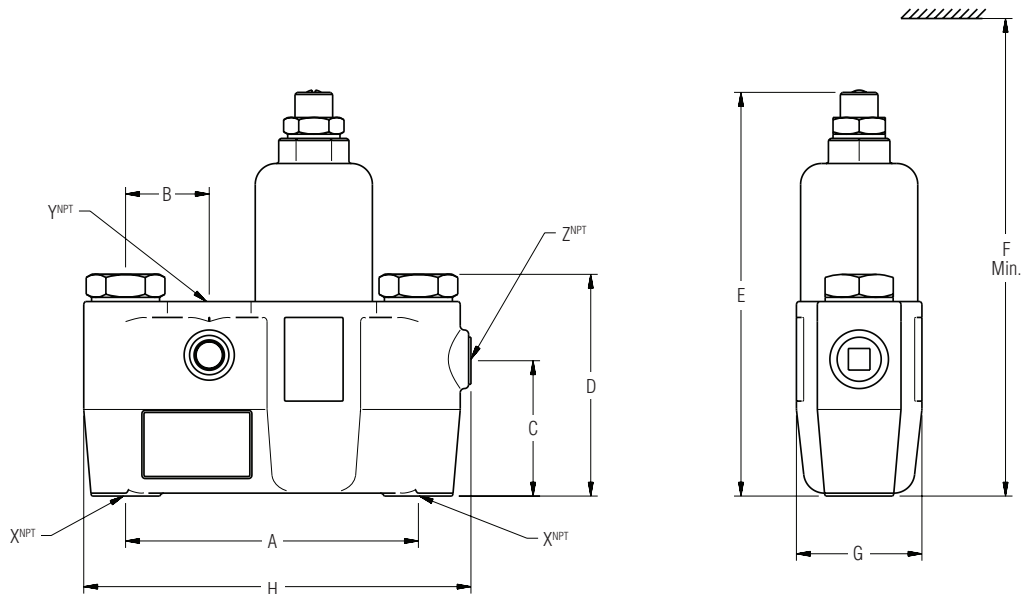
## Recirculation Diagram

(mm)



## Dimensions

Model	A	B	C	D	E	F	G	H	X <sup>NPT</sup>	Y <sup>NPT</sup>	Z <sup>NPT</sup>
S19-2150	7" (178)	2" (51)	3-1/4" (84)	4-3/4" (119)	8" (203)	14" (356)	3-1/8" (79)	9-1/4" (234)	3/4"	1"	3/4"





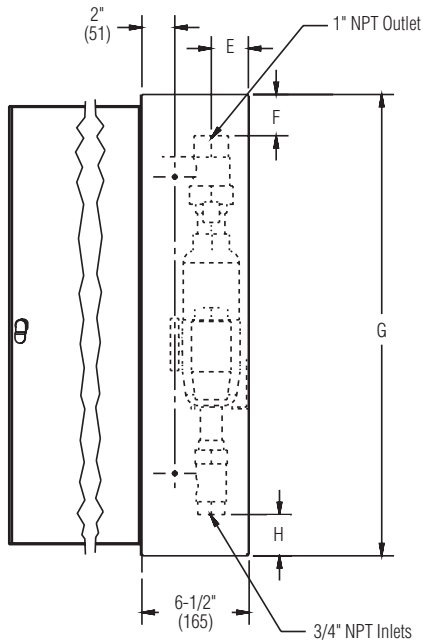
# S19-2150 (EFX20) Emergency Fixture Thermostatic Mixing Valve

## Dimensions — Surface-Mounted Cabinet

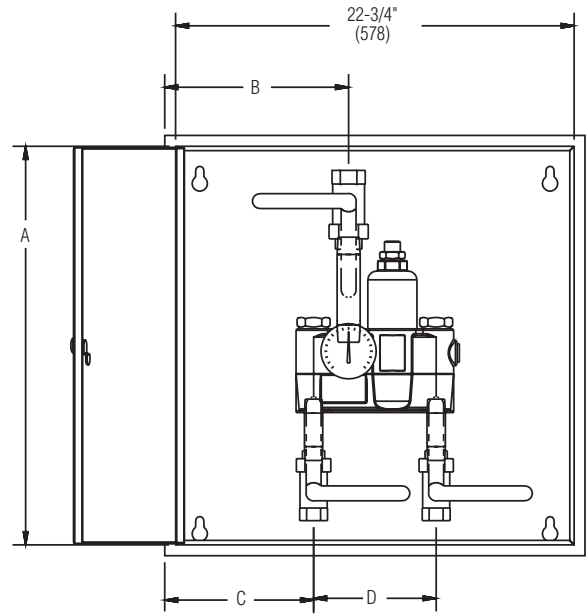
(mm)

Model	A	B	C	D	E	F	G	H	I	J	K	L
S19-2150	22-3/4" (578)	10-1/2" (267)	8-1/2" (216)	7" (178)	2" (51)	2" (51)	24" (610)	2" (51)	6-1/4" (159)	7-1/2" (191)	20" (508)	8-7/16" (214)

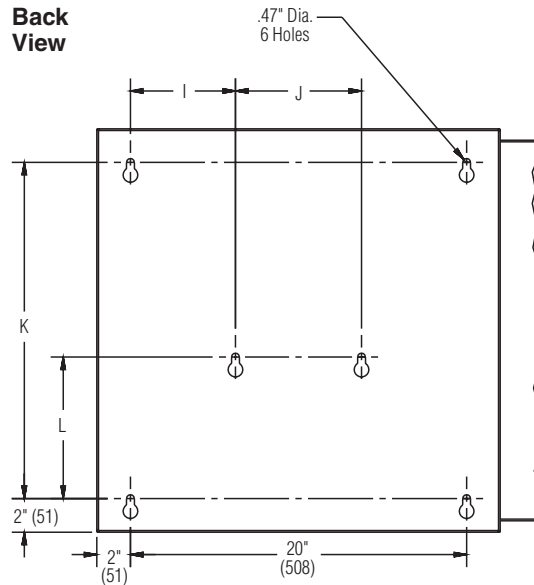
**Side View**



**Front View**



**Back View**





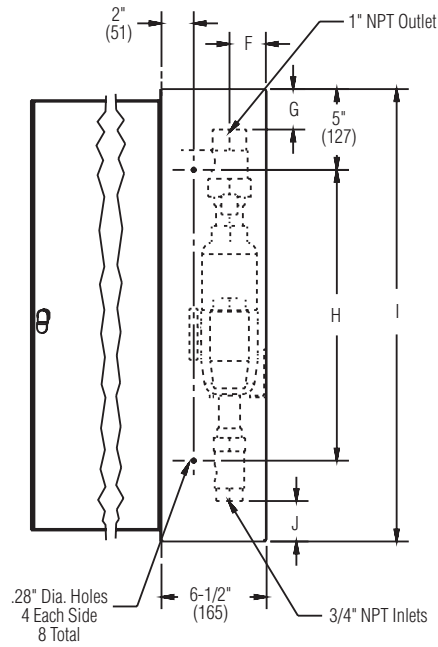
# S19-2150 (EFX20) Emergency Fixture Thermostatic Mixing Valve

## Dimensions — Recessed Cabinet

(mm)

Model	A	B	C	D	E	F	G	H	I	J
S19-2150	26" (660)	22-3/4" (578)	10-1/2" (267)	8-1/2" (216)	7" (178)	2" (51)	2" (51)	14" (356)	24" (610)	2" (51)

Side View



Front View

