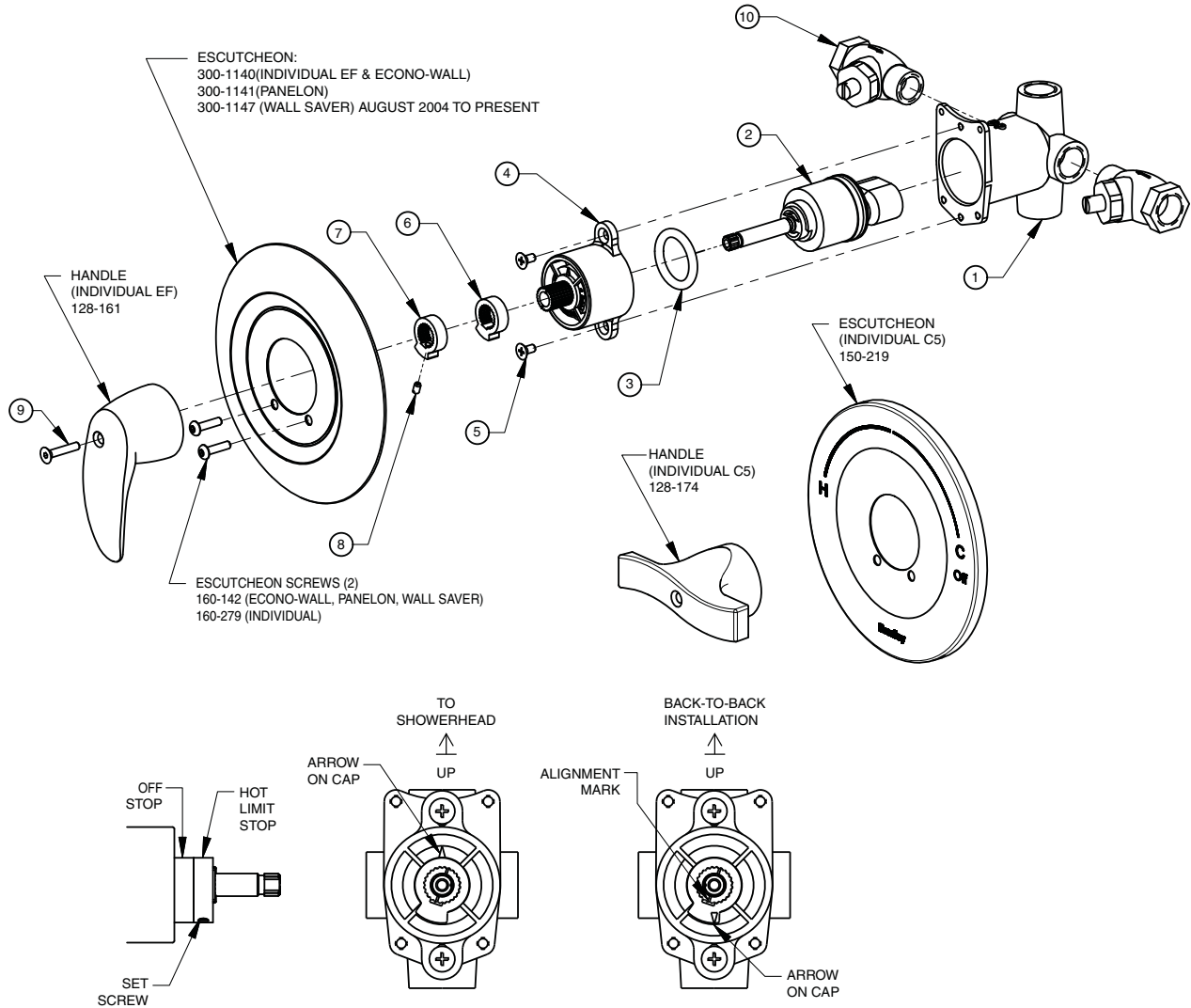


Equa-Flo Pressure Balancing Valve, August 2004 to Present For Individual, Econo-Walls, Wall Savers and Panelons Showers



Equa-Flo valves are equipped with a temperature limit stop which can be used to limit the temperature of tempered water discharged.



IMPORTANT: The hot limit stop as shown above has been set for maximum temperature operation. For temperatures other than the maximum, the stop may be repositioned as described below. Failure to adjust the hot limit stop to a safe shower temperature could result in the user being scalded.

To adjust the temperature, remove the handle and loosen the set screw. Remove the HOT limit stop and reposition to desired setting. Turn the limit stop clockwise for a HOTTER setting and counterclockwise for a COOLER setting.

When assembling the cartridge assembly into the valve body and cap, lubricate the stem and O-rings with S45-125 grease.

If the desired position falls between adjacent positions on the spline, flip the HOT limit stop over so the other face shows. This shifts the stop position by 1/2 spline.

FOR BACK-TO-BACK INSTALLATION: On the valve that is installed “backwards”.

- A. Remove (2) screws that hold down cap.
- B. Rotate cap and cartridge assembly 180°; re-install screws.
- C. Remove both limit stops and rotate 180°. Align with Alignment Mark as shown.
- D. Adjust hot limit stop the same as for a standard installation.

Equa-Flo Pressure Balancing Valve Parts List *(August, 2004 to Present)* Individual, Econo-Walls, Wall Savers and Panelons

Item	Part No.	Description	Assembly	Gasket Repair Kit S65-276	Cartridge Assembly Repair Kit S65-277
			Qty		
1	118-144	Valve Body	1	—	—
2	269-1785	Cartridge Assembly	1 (See Note 4)	—	1 (See Note 4)
3	125-161	O-ring	—	1 (See Note 3)	1 (See Note 4)
4	107-551	Cap	1	—	—
5	160-454	Screw 10-24 x 3/8 Flat Head	2	—	—
6	144-041	Limit Stop, OFF	1	—	—
7	144-033	Limit Stop, HOT	1	—	—
8	160-252	Set Screw 8-32 x 1/4	1	—	—
9	160-214	Screw 10-24 x 1 Flat Head	1	—	—
10	S27-102	Check Stop	2	—	—
11	300-0402	Foam Rim Seal (not shown)	1	—	—

Notes:

1. *Complete Valve Replacement/Retrofit Kit*

S65-265 Individual and Econo-Wall Showers
S65-265A Panelon
S65-265B Wall Saver

Kit part numbers contain all parts necessary to replace/retrofit one station only. Customer must order proper amount of kits; example: Three S265 kits required for a 3W Econo-Wall Shower.

2. *Part numbers on this page apply only to Equa-Flo valves built from 1983 to Present; Equa-Flo valves built prior to 1983 must use S65-092 Retrofit Kit.*

3. *Gasket Repair kit also contains the three external O-rings (not shown on exploded diagram) supplied with the 269-1785 cartridge assembly.*

4. *If the 269-1785 Cartridge is disassembled, it cannot be reassembled and must be replaced. The 269-1785 Cartridge assembly cannot be ordered separately; cartridge assembly must be ordered as part of the Repair Kit that includes the O-ring.*