

Installation

S19-130F

Drench Shower - Cord-Operated

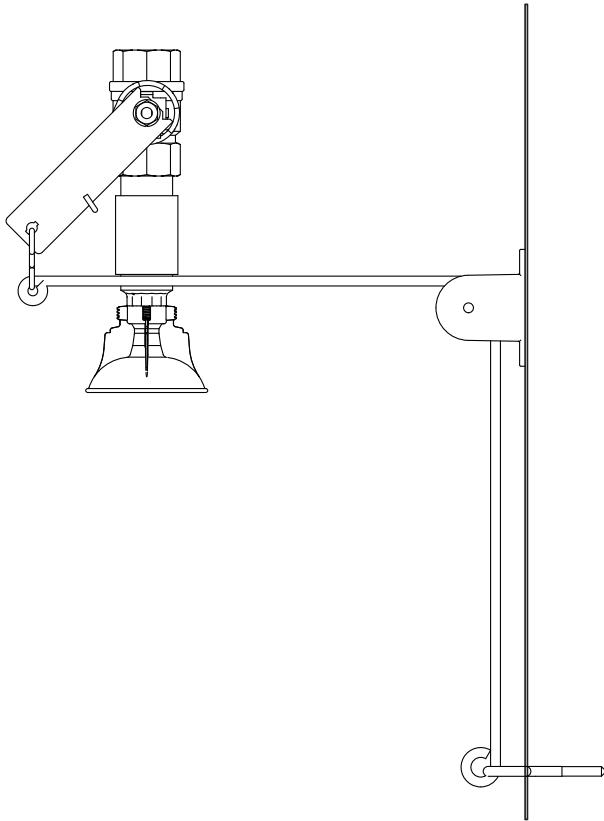


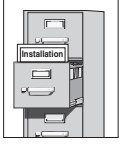
Table of Contents

Pre-Installation Information	2
Installation	3
S19-130F Components and Parts List	4



Model S19-130F is not ANSI compliant.

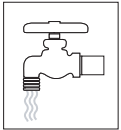
⚠ WARNING ⚠



Read this installation manual completely to ensure proper installation, then file it with the owner or maintenance department. Compliance and conformity to drain requirements and other local codes and ordinances is the responsibility of the installer.



Separate parts from packaging and make sure all parts are accounted for before discarding any packaging material. If any parts are missing, do not begin installation until you obtain the missing parts.



Flush the water supply lines before beginning installation and after installation is complete. Test the unit for leaks and adequate water flow. Main water supply to the eyewash should be "ON" at all times. Provisions shall be made to prevent unauthorized shutoff.



The ANSI Z358.1 standard requires an uninterrupted supply of flushing fluid at a minimum 30 PSI (0.21 MPa) flowing pressure. Flushing fluid should be tepid per ANSI Z358.1.



The inspection and testing results of this equipment should be recorded weekly to verify proper operation. Emergency fixtures with self-closing ball valves do not comply with ANSI Z358.1.



Workers who may come in contact with potentially hazardous materials should be trained regarding the placement and proper operation of emergency equipment per ANSI Z358.1.



For questions regarding the operation or installation of this product, visit www.bradleycorp.com or call 1-800-BRADLEY.

Product warranties and service parts information may also be found under "Products" on our web site at www.bradleycorp.com.

Installation

Supplies Required:

- Teflon tape and pipe sealant
- Piping to 1" NPT water supply inlet
- Adequate supply pipe supports
- Appropriate hardware to mount pulley to wall
- Minimum 4" (102 mm) drain to accommodate 30 gallons (115 liters) per minute discharge for shower waste
- Sign-mounting hardware

Step 1: Assemble components

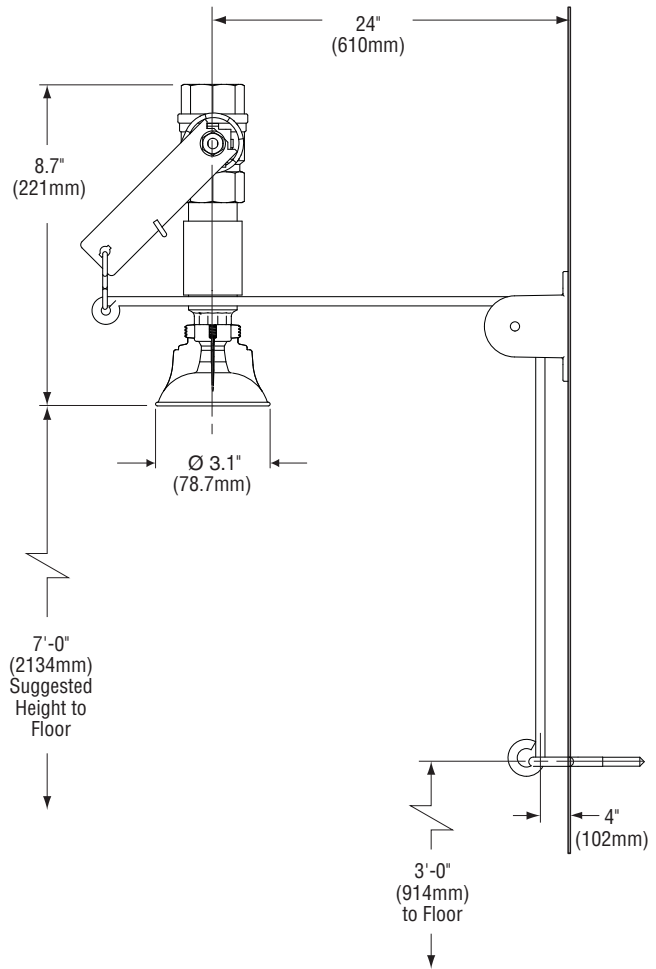
1. Assemble components as shown on page 4.
 - Apply pipe sealant or tape (by installer) to all male-threaded pipe joints.
 - Bottom edge of showerhead should be 7'-0" (2134 mm) from the floor.

Step 2: Connect water supply

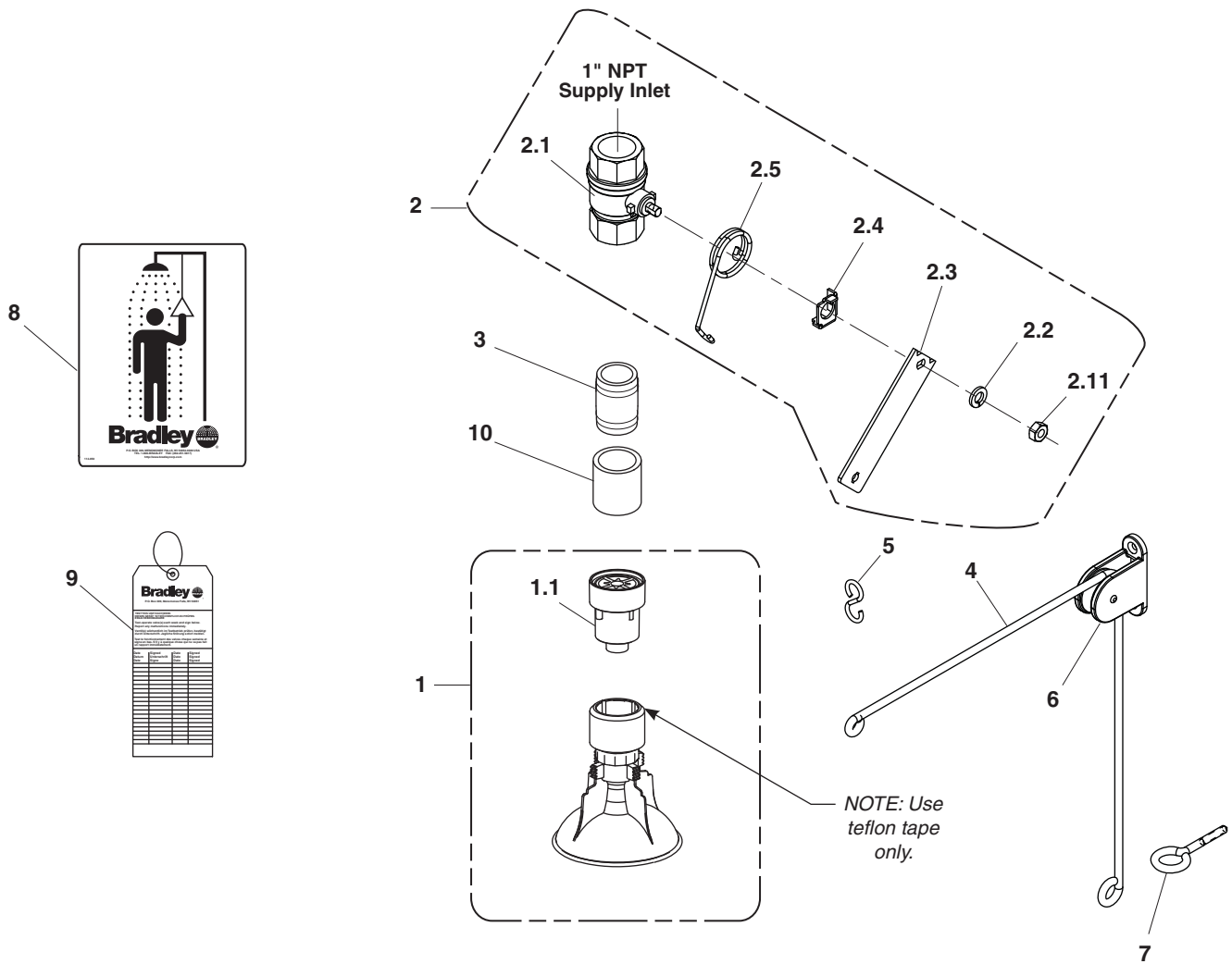


IMPORTANT: Do not rely on Bradley's Drench Shower to support supply piping.

1. Connect water supply piping to 1" NPT inlet on unit (piping supplied by installer). Provide adequate supports (supplied by installer) for supply pipe using pipe hangers or other means.
2. Mount the pulley and the eye screw to the wall (pulley hardware supplied by installer).
3. Secure one end of the nylon cord to the "S" hook on the eyewash valve handle. Feed the cord through the pulley and then secure it to the eye screw.
4. Mount the safety sign to the wall using sign-mounting hardware supplied by installer.
5. Open water supply lines. Test for leaks and adequate water flow.



Assembly of Components



Parts List

Item	Part No.	Qty	Description	Item	Part No.	Qty	Description
1	S24-188	1	Plastic Showerhead Assembly	3	113-006LN	1	Pipe Nipple 1" Close
1.1	S24-187	1	Flow Control Assembly, 23 GPM	4	169-860A	1	1/4" Nylon Cord
2	S19-0011	1	Self-Closing Spring Assembly	5	269-646	1	"S" Hook
2.1	S27-286	1	Ball Valve with Jam Nut	6	269-655	1	Pulley
2.11	110-214	1	Jam Nut only	7	269-765	1	Eye Screw
2.2	142-002CH	1	Washer	8	114-050	1	Safety Sign
2.3	128-129	1	Handle	9	204-421	1	Emergency Inspection Tag
2.4	140-720	1	Stop Bracket	10	169-1027	1	Coupling 1" NPT
2.5	S19-001	1	Kit, Spring Torsion				