

Installation

Soap System for Tereon® and Terrazzo Multi-Founts®

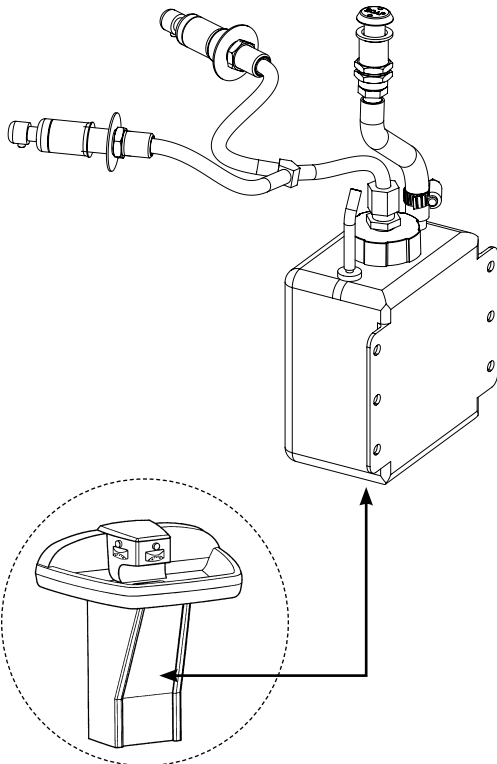
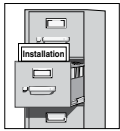


Table of Contents

Components & Repair Parts	2
Drilling for No-Soap to Soap Conversion	3
Installation	4
Soap and Valve Maintenance	5

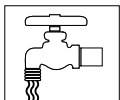
IMPORTANT!



Read this entire installation manual to ensure proper installation. When finished with the installation, file this manual with the owner or maintenance department.



Separate parts from packaging and make sure all parts are accounted for before discarding any packaging material. If any parts are missing, do not begin installation until you obtain the missing parts.



Before beginning soap tank installation, rinse out the tank with hot water to remove the packing dust. Allow the tank to air dry. Clean the soap system on a monthly basis to ensure optimum performance and maximum service life.

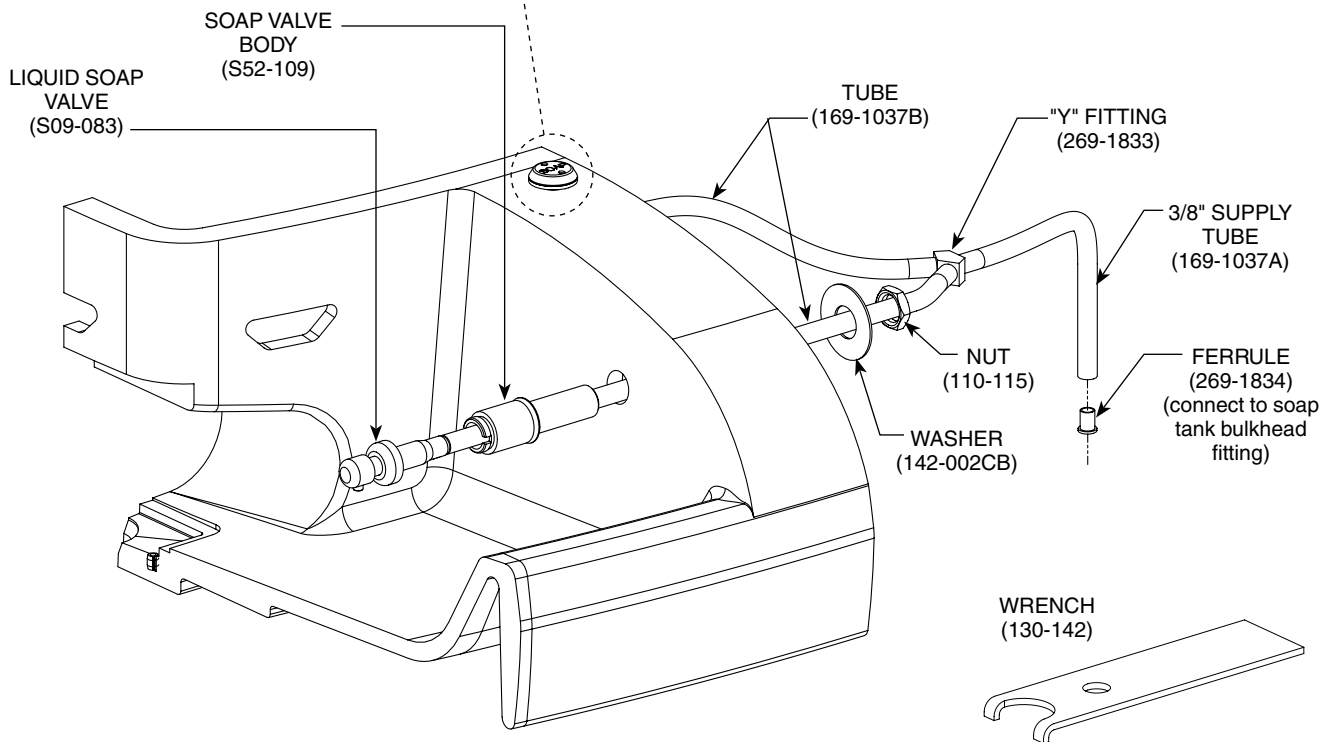
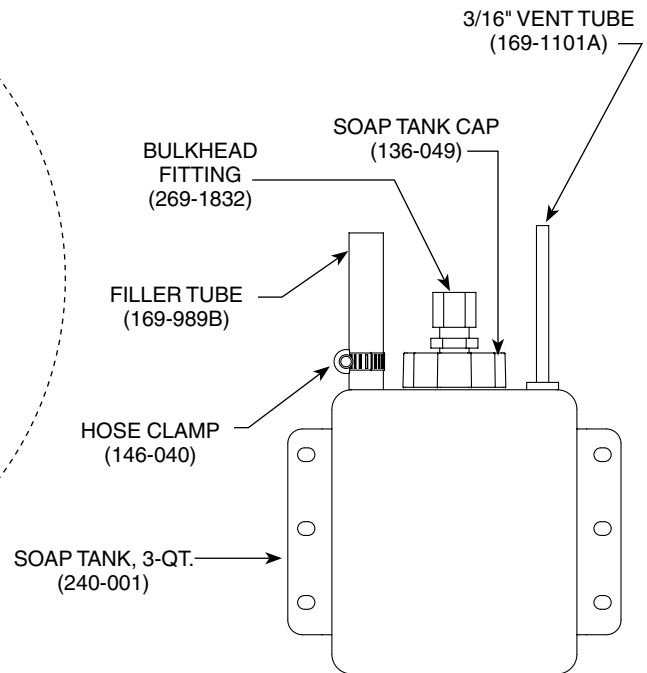
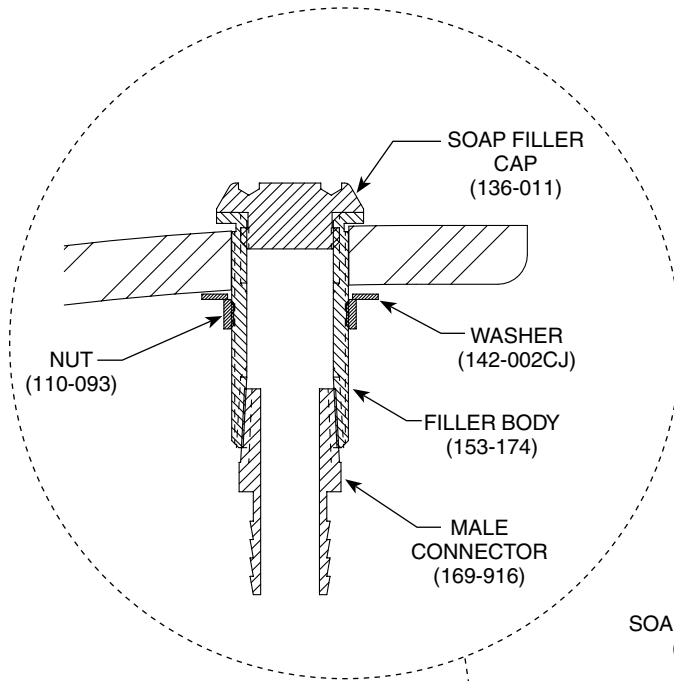


Product warranties may be found under “Products” on our web site at bradleycorp.com.

Components and Repair Parts

Soap Valve Only Retrofit Assembly for Multifounts (S50-398)

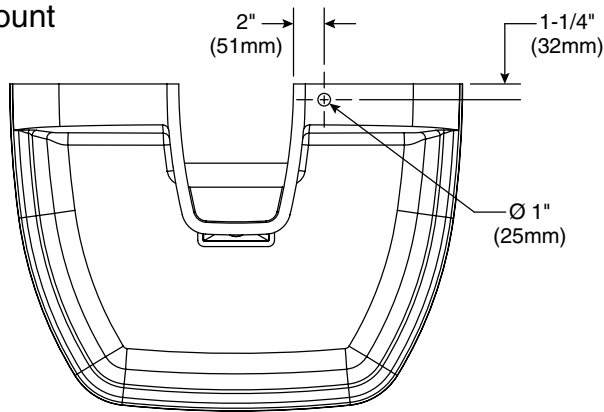
(Does not include soap filler cap assembly, soap tank, filler tube or vent tube)



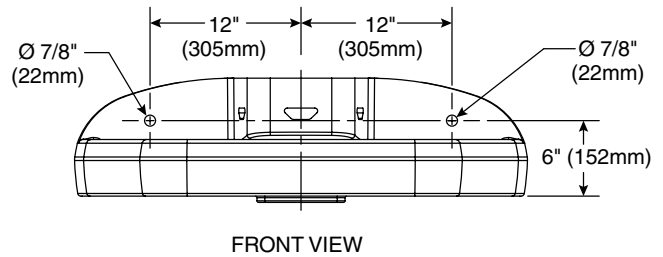
Drilling Holes for No-Soap to Soap Conversion

(Terreon Multifounts Only)

Tri-Fount

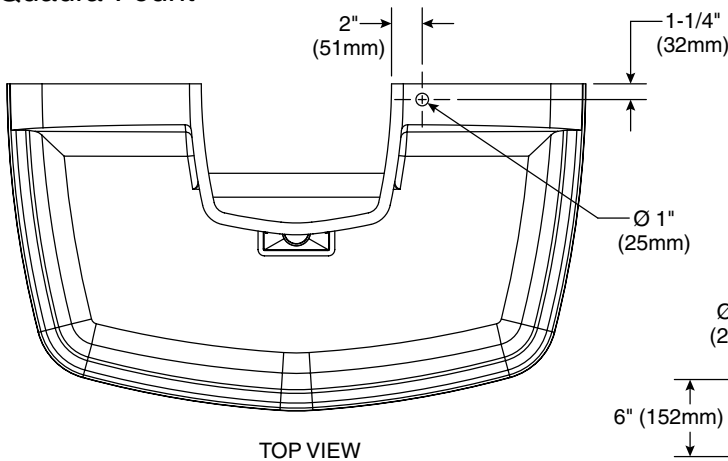


TOP VIEW

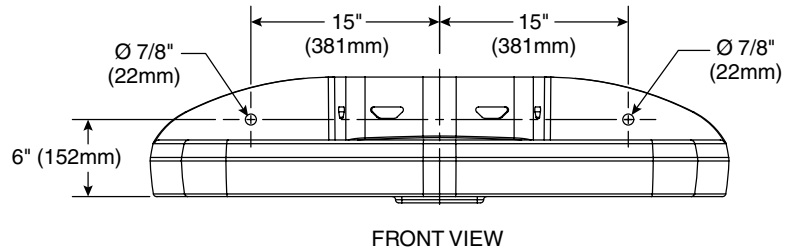


FRONT VIEW

Quadra-Fount

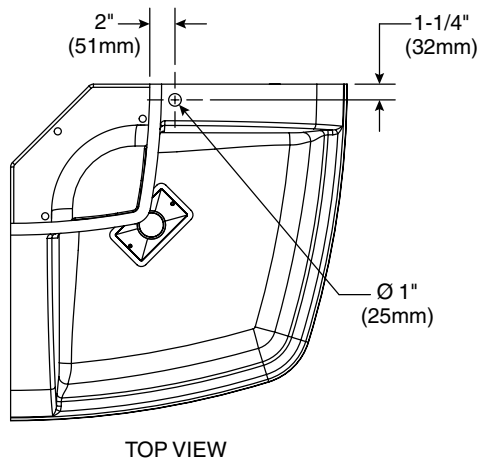


TOP VIEW

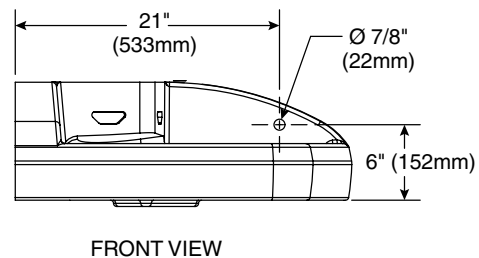


FRONT VIEW

Corner-Fount




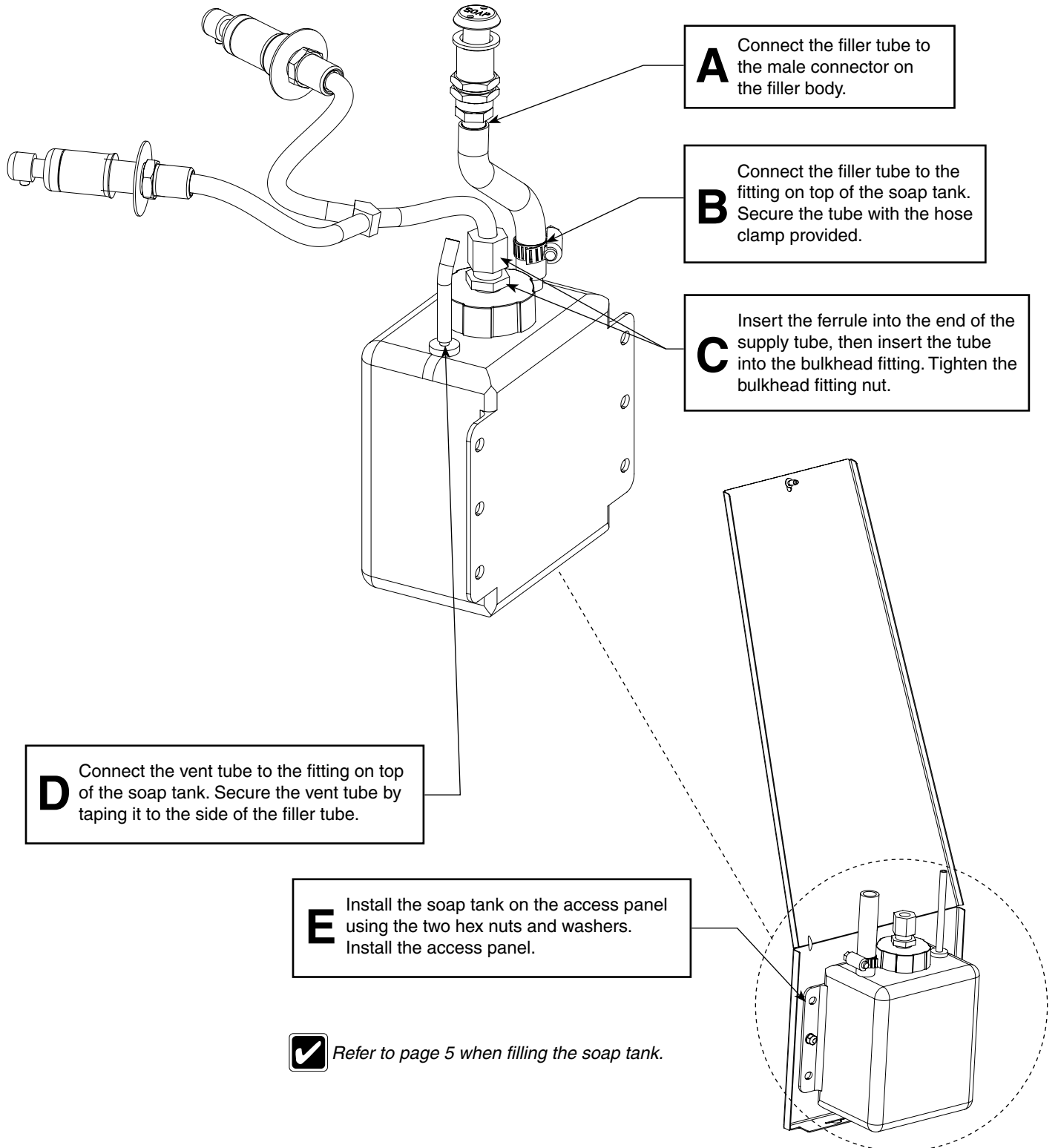
TOP VIEW



FRONT VIEW

Installation

 The filler and vent tubes may be trimmed on juvenile height units to facilitate filling of the soap dispenser.




A Connect the filler tube to the male connector on the filler body.

B Connect the filler tube to the fitting on top of the soap tank. Secure the tube with the hose clamp provided.

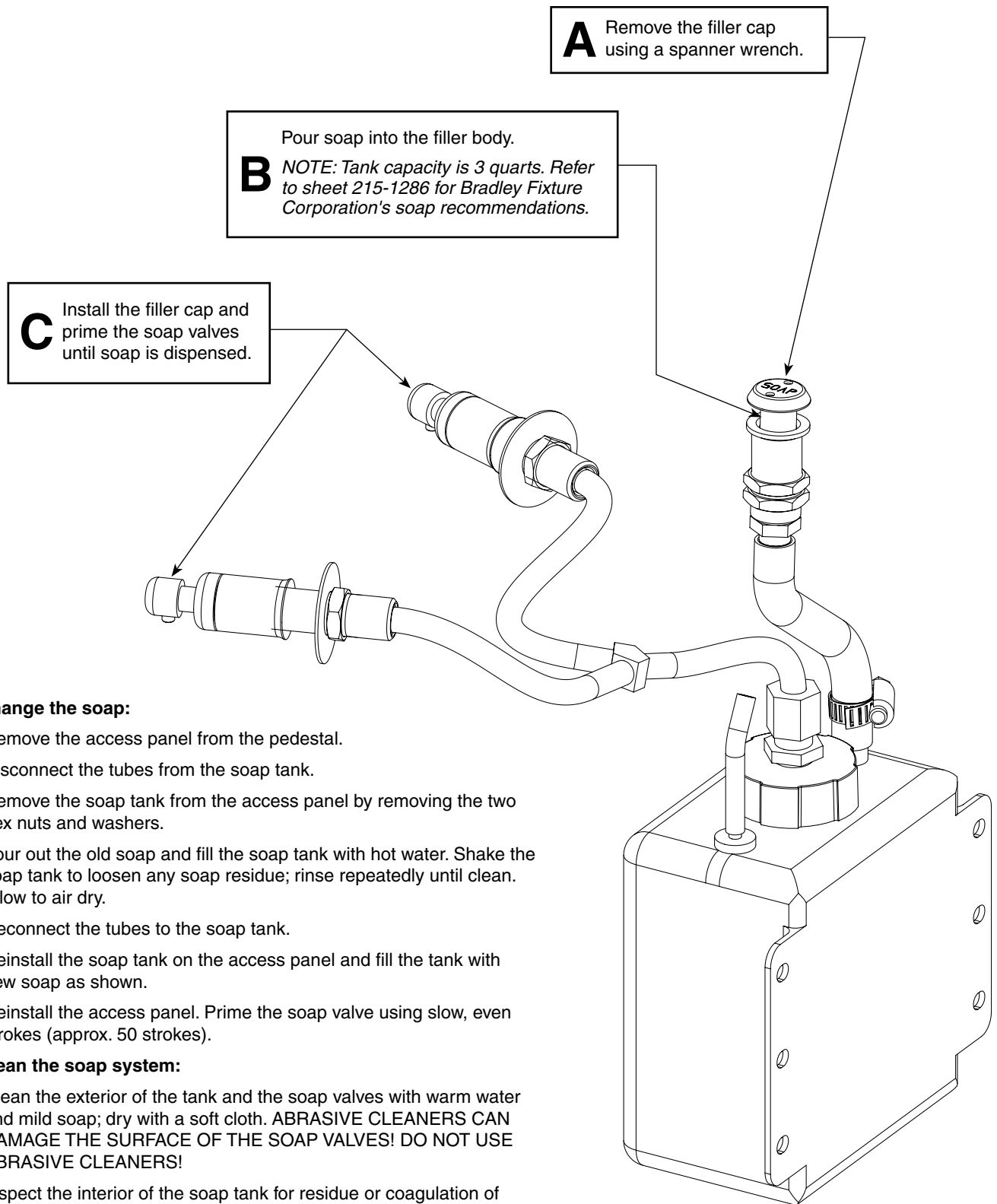
C Insert the ferrule into the end of the supply tube, then insert the tube into the bulkhead fitting. Tighten the bulkhead fitting nut.

D Connect the vent tube to the fitting on top of the soap tank. Secure the vent tube by taping it to the side of the filler tube.

E Install the soap tank on the access panel using the two hex nuts and washers. Install the access panel.

 Refer to page 5 when filling the soap tank.

Soap and Valve Maintenance



To change the soap:

1. Remove the access panel from the pedestal.
2. Disconnect the tubes from the soap tank.
3. Remove the soap tank from the access panel by removing the two hex nuts and washers.
4. Pour out the old soap and fill the soap tank with hot water. Shake the soap tank to loosen any soap residue; rinse repeatedly until clean. Allow to air dry.
5. Reconnect the tubes to the soap tank.
6. Reinstall the soap tank on the access panel and fill the tank with new soap as shown.
7. Reinstall the access panel. Prime the soap valve using slow, even strokes (approx. 50 strokes).

To clean the soap system:

1. Clean the exterior of the tank and the soap valves with warm water and mild soap; dry with a soft cloth. **ABRASIVE CLEANERS CAN DAMAGE THE SURFACE OF THE SOAP VALVES! DO NOT USE ABRASIVE CLEANERS!**
2. Inspect the interior of the soap tank for residue or coagulation of soap. If necessary, clean and refill the soap tank as outlined above.
3. Clean the internal components by pumping hot water through the soap system until a clean flow of water comes out of the valve.