

Installation

E19-310JJ

Combination Drench Shower and Eyewash

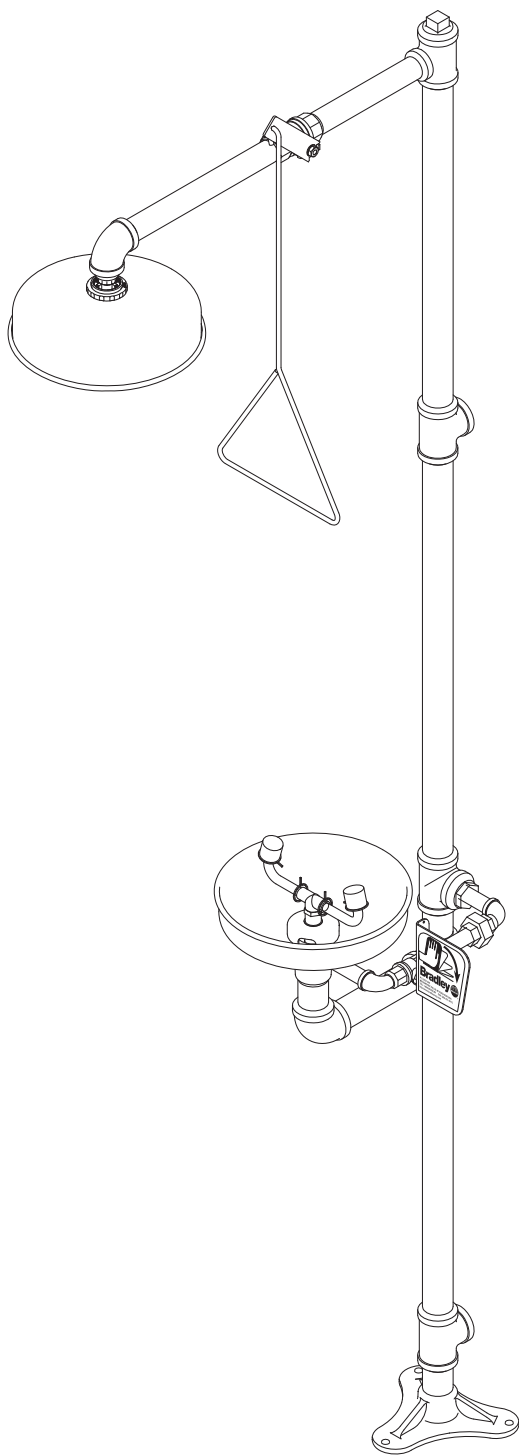
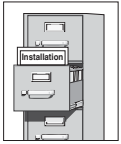


Table of Contents

Pre-Installation Information	2
Installation Instructions	3
Assembly of Components	4
Parts List	5

 **IMPORTANT** 



Read this installation manual completely to ensure proper installation, then file it with the owner or maintenance department. Compliance and conformity to drain requirements and other local codes and ordinances is the responsibility of the installer.



Separate parts from packaging and make sure all parts are accounted for before discarding any packaging material. If any parts are missing, do not begin installation until you obtain the missing parts.



Flush the water supply lines before beginning installation and after installation is complete. Test the unit for leaks and adequate water flow. Main water supply to the eyewash should be "ON" at all times. Provisions shall be made to prevent unauthorized shutoff.



The ANSI Z358.1 standard requires an uninterrupted supply of flushing fluid at a minimum 0.21 MPa (30 PSI) flowing pressure. Flushing fluid should be tepid per ANSI Z358.1.



The inspection and testing results of this equipment should be recorded weekly to verify proper operation. This equipment should be inspected annually to ensure compliance with ANSI Z358.1.



Workers who may come in contact with potentially hazardous materials should be trained regarding the placement and proper operation of emergency equipment per ANSI Z358.1.



For questions regarding the operation or installation of this product, visit www.bradleycorp.com or call 1-800-BRADLEY.

Product warranties and parts information may also be found under "Products" on our web site at www.bradleycorp.com.

Installation

Supplies Required:

- (3) M10 floor anchors and bolts
- Teflon tape and pipe sealant
- Piping to 1-1/4" BSP water supply inlet and 1-1/4" BSP drain outlet on unit
- Adequate supply pipe supports
- Minimum 102mm (4") drain to accommodate 115 liters (30 gallons) per minute discharge for shower waste
- OPTIONAL: sign-mounting hardware

NOTE: Local codes may require the installation of a backflow prevention valve to complete proper installation. Compliance with local codes is the responsibility of the installer. Valve must be tested annually to verify that it is functioning properly. Backflow prevention valves are not included with the fixture and may be supplied by the contractor or purchased from Bradley Corporation.

Step 1: Secure base to floor

1. Install three suitable anchors (supplied by installer) for M10 bolts in the floor.
2. Bolt the base to the floor anchors using M10 bolts (supplied by installer).

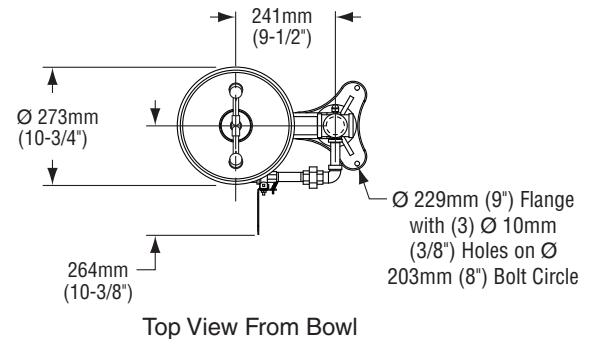
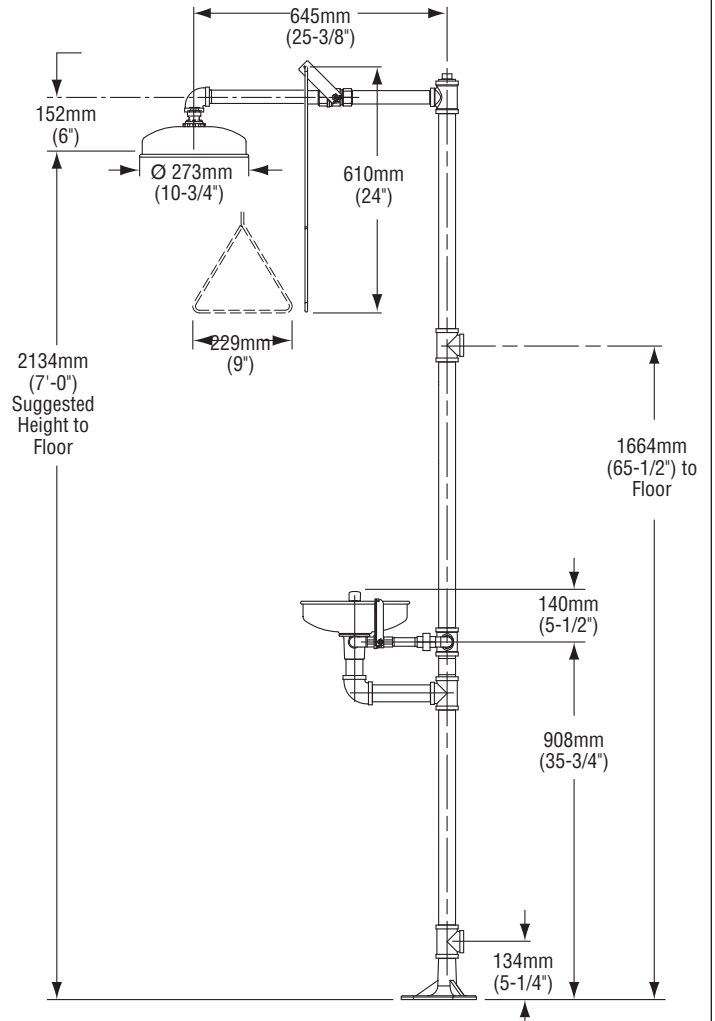
Step 2: Assemble components

1. Assemble the remaining unit components as shown on page 4.
 - Apply pipe sealant (by installer) to all male-threaded pipe joints.
 - Use the rubber grip pad provided or a strap wrench around pipes when tightening to prevent marring. Place the grip pad on the pipe, then put the wrench over the grip pad and turn the pipe with the wrench.
 - Bottom edge of the showerhead should be 2134mm (7'-0") from the floor.

Step 3: Connect water supply

IMPORTANT: Do not rely on Bradley's Combination Unit to support supply piping.

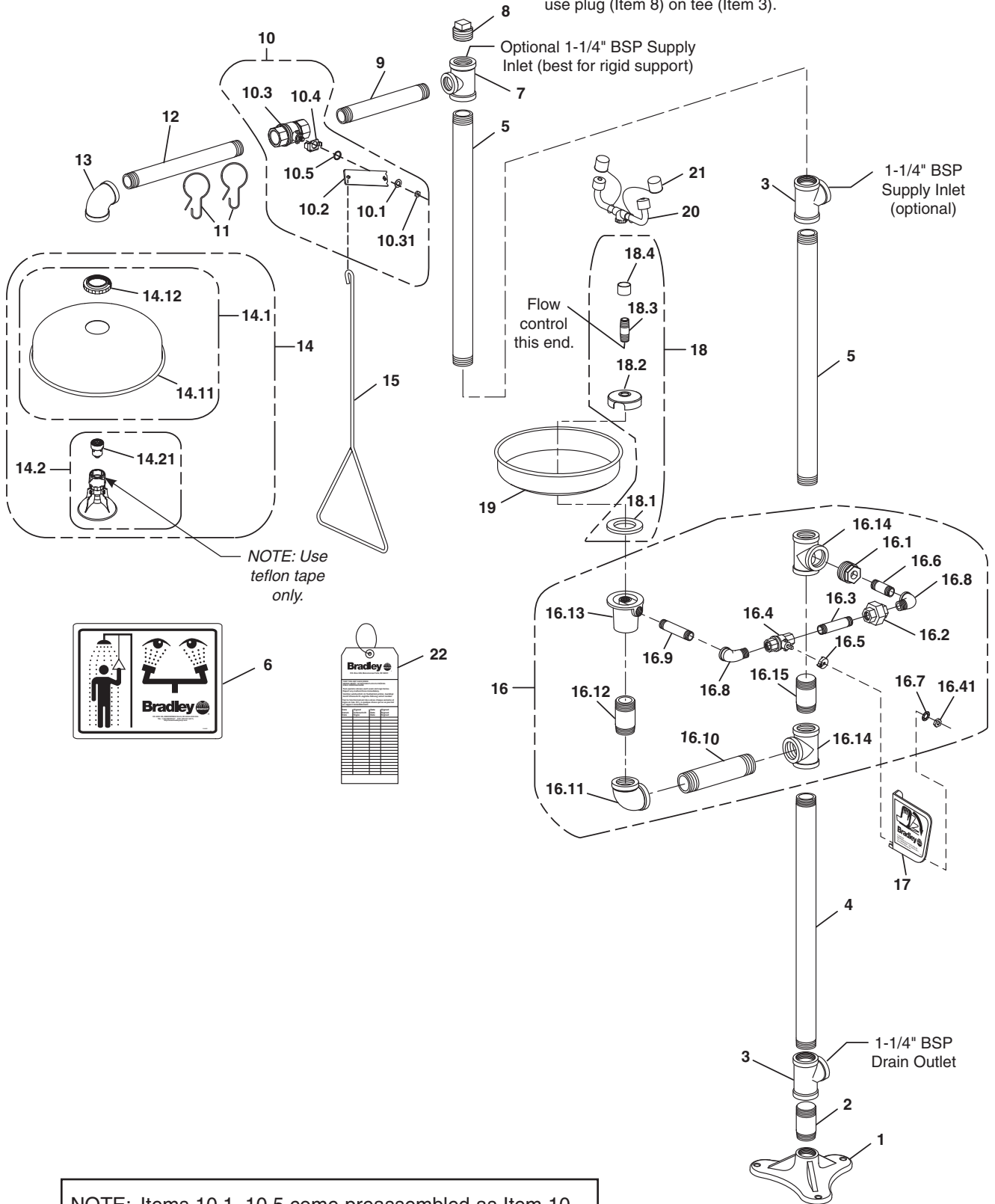
1. Connect water supply piping to 1-1/4" BSP inlet on unit (piping by installer). Provide adequate supports (by installer) for supply pipe using pipe hangers or other means.
2. Connect drain piping to 1-1/4" BSP drain outlet on unit (piping by installer).
3. Hang the safety sign from the unit with the curtain hooks provided (or mount it to the wall using sign-mounting hardware by installer).



NOTE: All dimensions assume standard thread engagement. Variations in manufacturing allow for +/- 3mm (1/8") per threaded joint. To find the tolerance of a dimension, add the number of thread joints in between a dimension and multiply it by 3mm (1/8").

Assembly of Components

NOTE: If tee is used as a supply inlet, use plug (Item 8) on tee (Item 3).



NOTE: Items 10.1–10.5 come preassembled as Item 10.
 Items 14.1–14.2 come preassembled as Item 14.
 Items 18.1–18.4 come preassembled as Item 18.

Parts List

Item	Part No.	Qty	Description	Item	Part No.	Qty	Description
1	131-044	1	Base	16.1	269-252	1	Red. Bushing 1-1/4" x 1/2" NPT
2	S06-189	1	Plgd. Nipple 1-1/4" NPT x 76mm	16.2	269-255	1	Union 1/2" Female NPT
3	269-253B	2	Pipe Tee 1-1/4" NPT & BSP	16.3	113-597E	1	Pipe 1/2" NPT x 79mm
4	113-600E	1	Pipe 1-1/4" NPT x 826mm	16.4	S27-282	1	1/2" Ball Valve with Nut
5	113-599E	1	Pipe 1-1/4" NPT x 572mm	16.41	110-215	1	Jam Nut only
6	114-052E	1	Safety Sign	16.5	153-372R	1	Ball Valve Adapter
7	269-249B	1	Reducing Tee 1-1/4"	16.6	113-601E	1	Pipe 1/2" NPT x 57mm
8	269-951	2	Pipe Plug	16.7	142-002DA	1	Lockwasher
9	113-595	1	Pipe 1" NPT x 229mm	16.8	169-862	1	90° Street Elbow 1/2" NPT
10	S30-059	1	Stay-Open Ball Valve Assy. 1" NPT	16.9	113-596E	1	Pipe 1/2" NPT x 89mm
10.1	142-002DC	1	Lockwasher	16.10	113-598E	1	Pipe 1-1/4" NPT x 165mm
10.2	128-129	1	Handle	16.11	269-256	1	90° Pipe Elbow 1-1/2" NPT
10.3	S27-278	1	1" Ball Valve with Nut	16.12	113-593E	1	Pipe 1-1/4" x 76mm
10.31	110-214	1	Jam Nut only	16.13	111-049	1	Inlet Drain Fitting
10.4	140-720	1	Stop Bracket	16.14	269-253	2	Pipe Tee 1-1/4" NPT
10.5	124-048	1	Washer, Friction	16.15	S06-189	1	Plgd. Nipple Solid
11	151-001	2	Curtain Hook	17	S08-336	1	Handle Assembly
12	113-594	1	Pipe 1" NPT x 305mm	18	S45-1787	1	Cup Strainer Prepack
13	169-1073	1	90° Elbow 1" NPT	18.1	173-009	1	Cup Strainer
14	S24-189	1	Stainless Steel Showerhead Assy.	18.2	S21-072	1	Supply Pipe
14.1	S24-193	1	Shroud Assembly	18.3	124-028	1	Center Seal Gasket
14.11	187-053	1	Showerhead Shell	18.4	113-1159	1	Spacer, Drain
14.12	154-147	1	Ring	19	187-053	1	Stainless Steel Eyewash Bowl
14.2	S24-188	1	Plastic Showerhead Assembly	20	S05-091	1	Eyewash Yoke
14.21	S24-187	1	Flow Control Assembly, 23 GPM	21	107-371	2	Dust Cover
15	128-156A	1	Pull Rod - 24" Long	22	204-421	1	Emergency Tag
16	S39-530	1	Eyewash Sub-Assy.	23	269-915	1	Grip Pad (not shown)

Prepack S30-070 includes items 16.4, 16.41, 16.5, 16.7, 17

Prepack S30-071 includes items 16.41, 16.5, 16.7, 17