

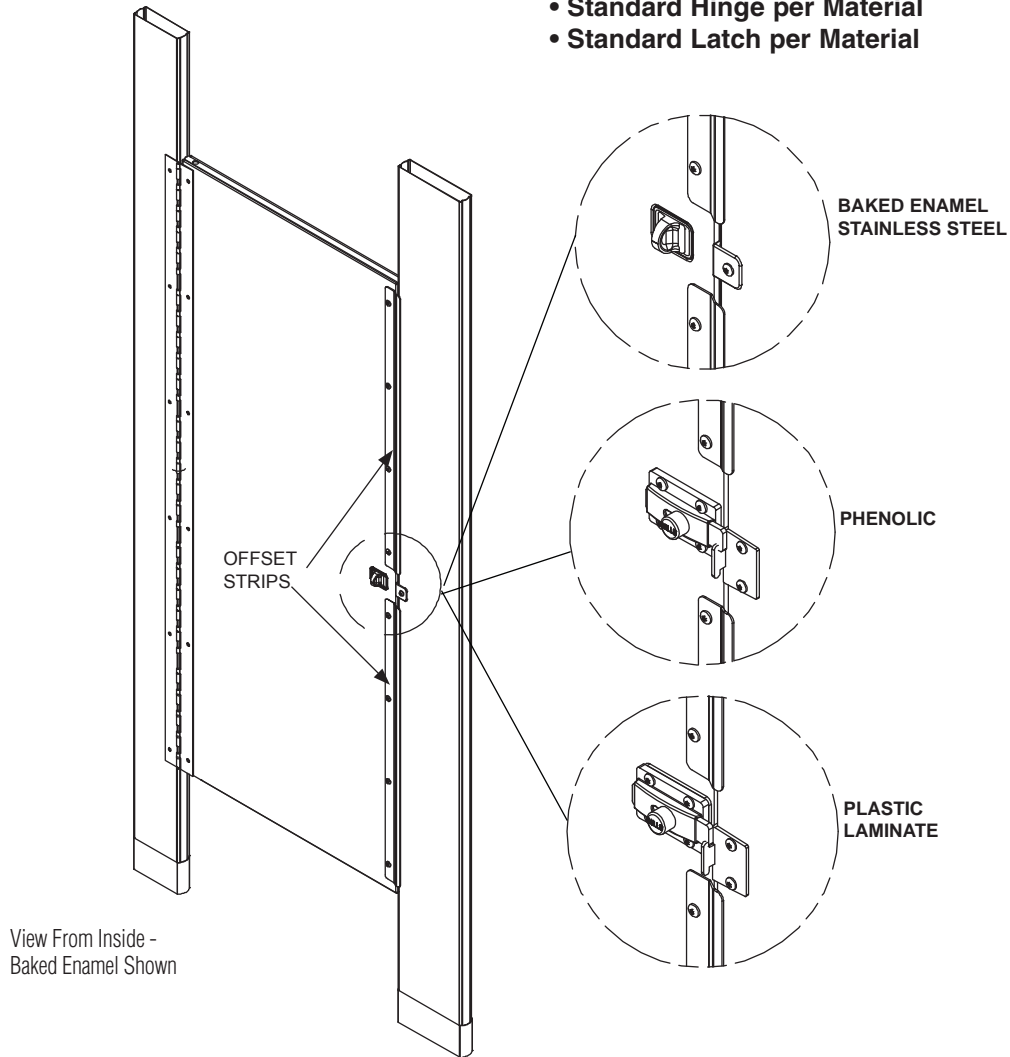
# Restroom Partitions

## Inswing

# Installation

## No-Sight Door Strips

- Door Height 58"
- Standard Hinge per Material
- Standard Latch per Material



### Instructions:

1. Position strips as shown above, so they cover gap between door and pilaster .
2. Make sure strips are plumb.
3. Use strips as templates for marking pilot holes. See chart below for pilot hole diameter and depth.
4. Drill holes through one side of door and/or pilaster only .
5. Attach using #14 x 5/8" screws (provided).

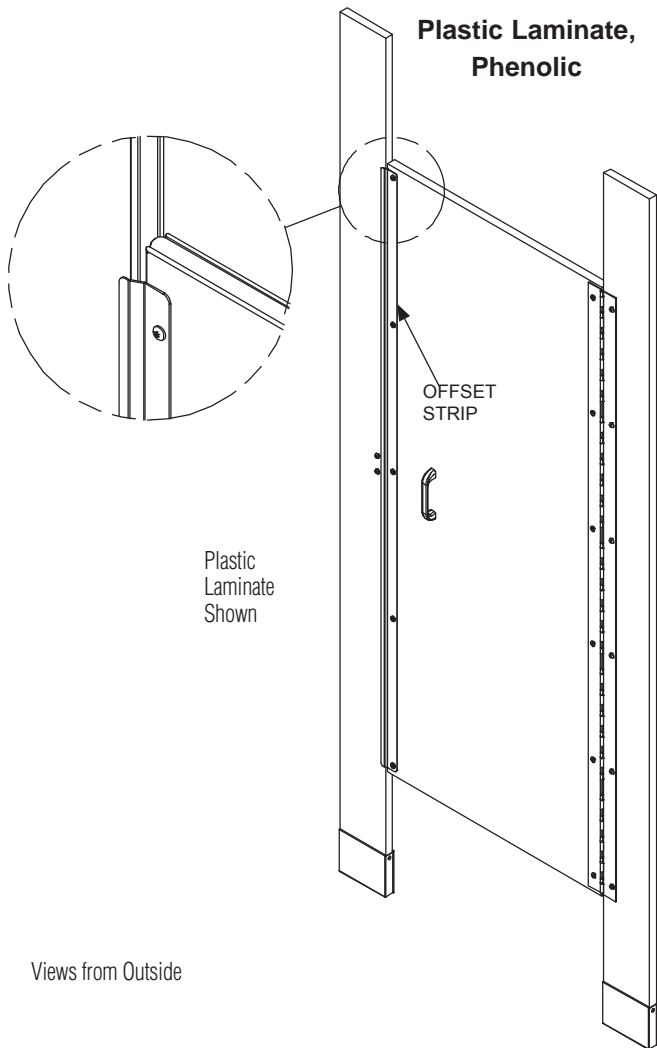


*When installing the partition components, consult the applicable Mills Partition submittal drawing and standard installations for compartment layout dimensions, locating brackets, and door mounting. The installation should be complete and all hardware installed before attaching the No-Sight Strips.*

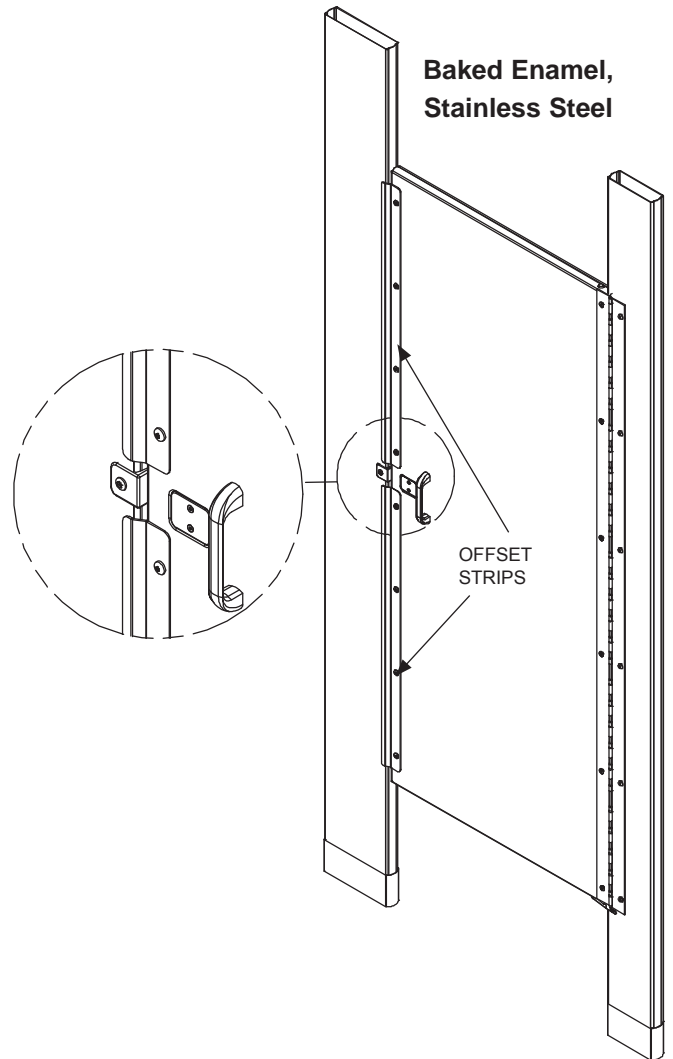
Material	Pilot Hole Diameter	Pilot Hole Depth
Baked Enamel	3/16"	One Face Only
Stainless Steel	3/16"	One Face Only
Phenolic	15/64"	5/8"
Plastic Laminate	7/32"	5/8"



# Outswing



Views from Outside



**Instructions:**

1. Position strips as shown above, so they cover gap between door and/or pilaster.
2. Make sure strips are plumb.
3. Use strips as templates for marking pilot holes. See chart at right for pilot hole diameter and depth.
4. Drill holes through one side of door or pilaster only.
5. Attach using #14 x 5/8" screws (provided).

Material	Pilot Hole Diameter	Pilot Hole Depth
Baked Enamel	3/16"	One Face Only
Stainless Steel	3/16"	One Face Only
Phenolic	15/64"	5/8"
Plastic Laminate	7/32"	5/8"