

# Terreon® Lav Deck

## Model 3020 Series

- Lavatory Deck with Integral Bowls
- Unique, Repairable Terreon® Solid Surface Material
- Designed to ADA Guidelines
- Drilled or Equipped with Faucets
- Serves Multiple Users

### Specifications

Terreon® Lav Deck Model 3020 accommodates multiple users. The Lav Deck features a solid surface counter top with integral oval bowl. The Terreon® Lav Deck comes drilled for either 4" centerset, 8" centerset or centershank faucet mounting, or equipped with optional faucets. Optional deck mounted soap dispensers available.

### Construction

#### Counter Top/Bowl

Constructed of Terreon®, a densified solid surface material composed of an acrylic modified polyester resin. Terreon® is resistant to chemicals, stains, burns and impact. Surface damage can be easily repaired with everyday cleaners or fine grit abrasives.

### Mounting Options

The Terreon® Lav Decks are designed for a variety of mounting options including concealed arm carriers (supplied by others). This style of mounting eliminates the need for casework beneath the deck.

### Barrier-Free (ADA Compliant)

#### Standard Height Mounting

Terreon® Lav Decks mounted at standard height are designed to comply with all ADA guidelines on reach and clearances. To comply with ADA, the rim height on the 3020 Lav Deck must be 34" max. above the finished floor. To be completely ADA compliant, the Terreon® Lav Deck must be equipped with ADA compliant faucets and trap cover.

#### Juvenile Height Mounting .

The 3020 Lav Deck mounted with counter surface no higher than 31" is compliant with ADA Accessibility Guidelines for Buildings and Facilities: Buildings Elements Designed for Children's Use; Final Rule.

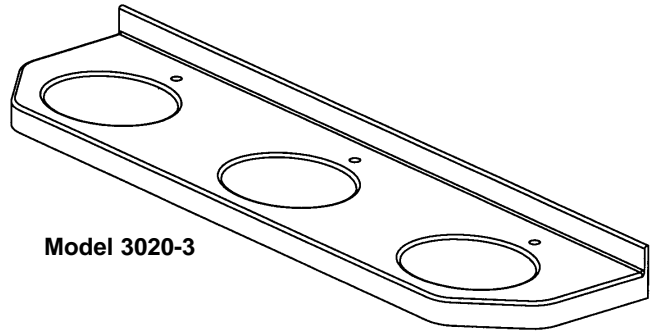
### Sample Specification

The multiple integral solid surface counter top and bowl shall be Bradley Terreon® Lav Deck Model No. 3020-3. The integral top and bowl shall provide three hand washing stations. Each hand washing station mounted at standard height shall comply with ANSI and ADA accessibility standards.

- Deck and bowl material for each station shall be cast polyester resin complying with ANSI Z124.3 and ANSI Z124.6. Bowl and deck finish shall be decorative stone.
- Bowl Color: Empire Gray (other optional colors available)
- Unit to be supported by In-Wall Carriers, supplied by others.

Document No. 1091

This information is subject to change without formal notice.  
0999RSSCR (2 Pages Total)



Model 3020-3

**Bradley** 

P.O. Box 309, Menomonee Falls, WI 53052-0309  
Phone 1-800-BRADLEY FAX 262-251-5817  
<http://www.bradleycorp.com>  
Technical Information Fax Service: 1-800-BRADFAX

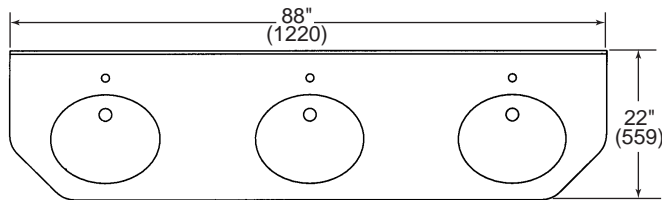
# Terreon® Lav Deck

Model 3020 Series

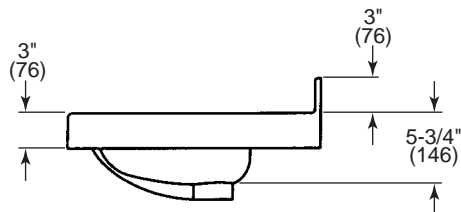
## PLUMBING FIXTURES TECHNICAL DATA

### Models

Model No.	Description
<input type="checkbox"/> 3020-1	Single Bowl Lav Deck (28"x22" Deck)
<input type="checkbox"/> 3020-2	Two Bowl Lav Deck (58"x22" Deck)
<input type="checkbox"/> 3020-3	Three Bowl Lav Deck (88"x22" Deck)
<input type="checkbox"/> 3020-4	Four Bowl Lav Deck (118"x22" Deck)



TOP VIEW



SIDE VIEW

### Standard Selections

#### Bradley Faucet/Drilling (must select one):

- 90-75 Mechanical Metering Faucet
- 900 Infrared Futura 900
- 910 Gooseneck (10" Spout)
- 950 Sensor Scan Electronic Faucet (Battery Operated)
- 960 Sensor Scan Electronic Faucet with User-Adjustable Temperature Control (Battery Operated)
- 4" SET 4" Centerset
- 8" SET 8" Centerset
- SHANK Centershank

#### Soap Dispenser:

- 6324 16oz Plastic Globe, 4" Spout
- 6324-67 16oz Stainless Steel Globe, 4" Spout
- 6324-68 32oz Plastic Globe, 4" Spout
- NSD No Soap Dispenser

#### Water Supply:

- TMA Vernatherm™ Thermostatic Mixer Assembly (Hot and Cold Supplies)
- TL Single Tempered Line

#### Color of Terreon® Deck (must select one):

- |   |  |
|---|--|
| <input type="checkbox"/> E-GRAY Empire Gray     | <input type="checkbox"/> DS-WHT Designer White |
| <input type="checkbox"/> BONE Mesa Bone         | <input type="checkbox"/> SPHR Sapphire         |
| <input type="checkbox"/> O-GRN Oasis Green      | <input type="checkbox"/> EMRLD Emerald         |
| <input type="checkbox"/> S-BLU Sierra Blue      | <input type="checkbox"/> JADE Jade             |
| <input type="checkbox"/> M-RED Mojave Red       | <input type="checkbox"/> GRAPH Graphite        |
| <input type="checkbox"/> PEP-WHT Peppered White | <input type="checkbox"/> ONYX Onyx             |
| <input type="checkbox"/> SAND Sandtrap          | <input type="checkbox"/> LANNON Lannonstone    |
| <input type="checkbox"/> CHAR Charcoal Gray     | <input type="checkbox"/> COBBLE Cobblestone    |

#### Color of Terreon® Bowl (must select one):

- SAME Same as Deck (Requires TMA or TL)
- DS-WHT Designer White
- BONE Mesa Bone

#### Style of Edging:

- BN Bullnose
- BV Beveled

#### Backsplash:

- BS Backsplash
- NBS No Backsplash

#### Side Splash (Shipped Loose):

- LSS Left Side Splash
- RSS Right Side Splash
- BSS Both

#### Side Apron:

- LSA Left Side Apron
- RSA Right Side Apron
- BSA Both

#### Other Options:

- SLV Lav Sleeve for In-Wall Carriers (In-Wall Carriers Supplied by Others)
- BRKT Mounting Bracket
- NONE Customer Supplied Mounting

Document No. 1091

This information is subject to change without formal notice.  
0999RSSCR (2 Pages Total)