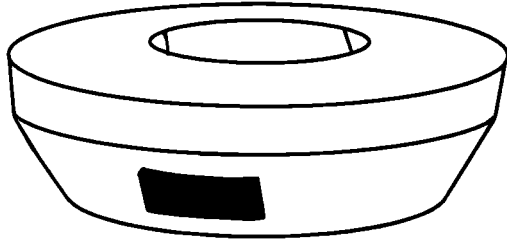


Classic Washfountain Conversion Kits



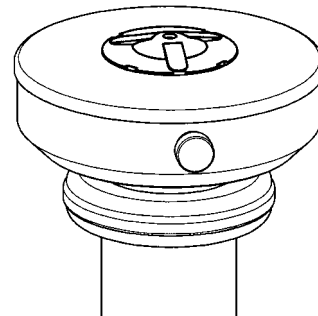
Non-Sectional Infrared Conversion Kit

This kit will convert an existing non-sectional classic washfountain to an infrared non-sectional control washfountain. Kit includes all parts necessary for the conversion including sensors, solenoid valves, tubing, and 110V to 24V transformer. Kit is available for non-sectional circular and semi-circular classic washfountains.

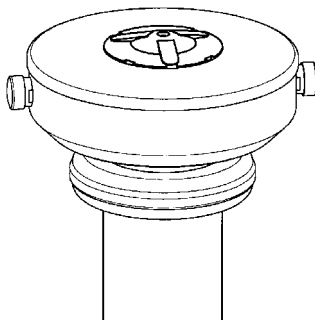
Part Number	Description
S50-310	Semi-Circular Non-Sectional Infrared
S50-311	Circular Non-Sectional Infrared

Non-Sectional Hand Control Air Valve Conversion Kit

This kit will convert an existing non-sectional classic washfountain to an air valve non-sectional hand control washfountain. Kit includes all parts necessary for the conversion including air valve, module assembly, and tubing. This kit is available for non-sectional circular and semi-circular washfountains.



Part Number	Description
S65-136	Semi-Circular Non-Sectional Air Valve
S65-135	Circular Non-Sectional Air Valve



Non-Sectional Touch Time™ Conversion Kit

This kit will convert an existing non-sectional Infrared classic washfountain to a Touch Time™ washfountain. Touch Time™ is a reliable electronic metering control system that is completely sealed and is factory set to a non-adjustable 15-second interval. This kit includes all of the parts necessary to convert an infrared control non-sectional classic washfountain. *This kit does not include the parts required to convert a foot control washfountain.* This kit is available for non-sectional semi-circular and circular infrared classic washfountains.

Part Number	Description
S45-1575	Semi-Circular Non-Sectional Touch Time
S45-1574	Circular Non-Sectional Touch Time

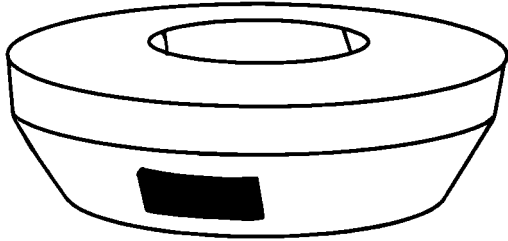
Document No. 2160

This information is subject to change without formal notice.
© 2003 Bradley Corporation
5-13-2003 (2 Pages Total)

Bradley 

P.O. Box 309, Menomonee Falls, WI 53052-0309
Phone 1-800-BRADLEY FAX 262-251-5817
<http://www.bradleycorp.com>
Technical Information Fax Service: 1-800-BRADFAX

Classic Washfountain Conversion Kits (Continued)



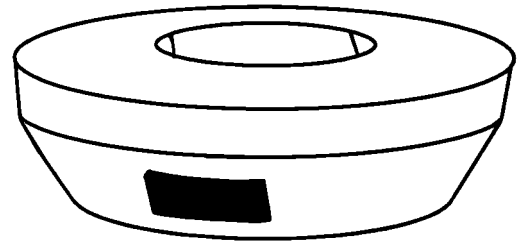
Sectional Infrared for Sectional Foot Control Conversion Kit

This kit will convert an existing sectional foot control to a sectional infrared control classic washfountain. Kit includes all parts necessary to convert a sectional foot control washfountain, and is powered by an included 110V to 24V transformer. *This kit does not include the sectional spray head necessary to convert a non-sectional washfountain.* This kit is available for semi-circular and circular sectional foot control washfountains.

Part Number	Description
S50-322	36" Semi-Circular Sectional Infrared
S50-320	36" Circular Sectional Infrared
S50-321	54" Semi-Circular Sectional Infrared
S50-319	54" Circular Sectional Infrared

Sectional Infrared for Non-Sectional Control Conversion Kit

This kit will convert an existing non-sectional washfountain to an infrared sectional control washfountain. Kit contains all parts necessary to perform the conversion including the sectional spray head, and is powered by an included 110V to 24V transformer. This kit is available for all non-sectional semi-circular and circular classic washfountains.



Part Number	Description
S50-322S	36" Semi-Circular Sectional Infrared
S50-320S	36" Circular Sectional Infrared
S50-321S	54" Semi-Circular Sectional Infrared
S50-319S	54" Circular Sectional Infrared

Document No. 2160

This information is subject to change without formal notice.
5-13-2003 (2 Pages Total)



P.O. Box 309, Menomonee Falls, WI 53052-0309
Phone 1-800-BRADLEY FAX 262-251-5817
<http://www.bradleycorp.com>
Technical Information Fax Service: 1-800-BRADFAX