

- Serves One to Two Users at a Time
- Unique, Repairable, Solid Surface Material
- Highly Vandal Resistant
- Saves Water, Energy and Space
- Available with Air Metering, TouchTime®, Infrared or Battery Infrared Control

Specifications

Size and Capacity

Accommodates 1-2 users at a time, using less water, energy and space than two lavs equipped with conventional faucets. The preassembled sprayhead module is equipped with two independent streamformers, each controlled by a separate push button or infrared sensor.

Flow Control/Rate

Operating water pressure range is 20–80 psi. Flow regulators keep flow rate constant at all pressures. A flow restrictor keeps the flow rate at constant a .5 gpm under any pressure.

Construction

Bowl and Pedestal

Constructed of Terreon®, a densified solid surface material composed of polyester resin. Terreon® is resistant to chemicals, stains, burns and impact. Surface damage can be easily repaired with everyday cleansers or fine grit abrasives. Pedestal frame and access panels are constructed of heavy gauge type 304 stainless steel.

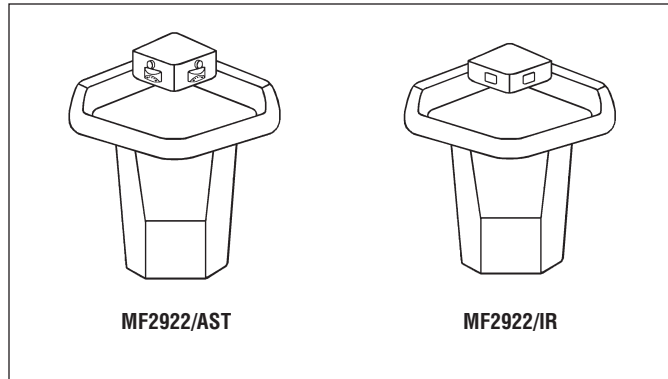
Vandal Resistance

The sprayhead is molded as an integral part of the bowl. All streamformers, escutcheons, push buttons/infrared sensors are secured from inside the sprayhead. All valves, water supplies and waste connections are concealed inside the pedestal. The front access panel is removable only with a hex key. The Terreon® bowl is resistant to stains, burns and impact. Surface damage is easily repaired and repair work is virtually undetectable.

Standard Equipment

Valves and Fittings

In addition to the bowl and pedestal, the following valves and fittings are standard: Vernatherm™ thermostatic mixing valve with stop/strainer/check valves; flexible stainless steel supply hoses, drain spud and locknut. Stop valves are 1/2" NPT female.



Standard Selections (Must select one from each category)

Pedestal Height (select one)

- STD** Standard Height **JUV** Juvenile Height

Valves (select one)

- AST** Air Metering **BIR3** Battery Infrared
 IR Adaptive Infrared **TT** TouchTime® Metering

Soap Dispenser (select one)

- LSD** Liquid Soap Dispenser **NSD** No Soap Dispenser

Color of Terreon® (select one)

Standard Colors

- | | |
|--|---|
| <input type="checkbox"/> E-GRAY Empire Gray | <input type="checkbox"/> LANNON Lannonstone |
| <input type="checkbox"/> PEP-WHT Peppered White | <input type="checkbox"/> COBBLE Cobblestone |
| <input type="checkbox"/> SAND Sandtrap | <input type="checkbox"/> WHT-SAND White Sand |
| <input type="checkbox"/> CHAR* Charcoal Gray | <input type="checkbox"/> LONDON London Gray |
| <input type="checkbox"/> JADE* Jade | <input type="checkbox"/> O-TAUPE Organic Taupe |
| <input type="checkbox"/> GRAPH* Graphite | |

Designer Colors** (available at an additional charge)

- | | |
|--|---|
| <input type="checkbox"/> ARC-CHIP Arctic Chip | <input type="checkbox"/> COFFEE Coffee Bean |
| <input type="checkbox"/> S-SAGE Summer Sage | <input type="checkbox"/> CORN Cornfield |
| <input type="checkbox"/> RIVER Riverstone | <input type="checkbox"/> BLUESKY Blue Sky |
| <input type="checkbox"/> MYSTIC-M Mystic Moss | <input type="checkbox"/> HILLSIDE Hill Side |
| <input type="checkbox"/> STAR-D Stardust | <input type="checkbox"/> MOUNTAIN Mountain Top |

Supply (select one)

- TMA** Vernatherm™ Thermostatic Mixing Assembly (Hot & Cold Supplies)
 TL Single Tempered Line

* Requires tempered supply (less than 110° F) or optional TMA

** Non-cancelable, not-returnable

Code Compliance and Certifications

ANSI Standards

Terreon® is NAHB certified to meet ANSI Z124.3, Z124.6 and ANSI/ICPA SS-1-2001.

UPC Approval

The Washfountain is Uniform Plumbing Code (UPC) approved through the International Association of Plumbing and Mechanical Officials (IAPMO).



Verify all rough-in dimensions prior to installation.

Consult local and national codes: conformity and compliance to local and national codes is the responsibility of the installer.

Activation Controls

Air Valve Hand Control (AST4)

Each push button pneumatically actuates a non-hold-open, air metering, single-temperature valve with field adjustable timing from 0–45 seconds. Factory preset at 10 seconds. Each push button activates one valve which, in turn, activates one station. Push button requires less than five pounds of pressure.

Infrared Control (IR)

Each of the stream formers is controlled by a separate solenoid valve. Hands placed within the bowl are detected by an infrared sensor module which activates a flow of tempered water from one station. Shut-off is automatic after hands are removed from the detection area.

The infrared sensor uses a conical-shaped transmitting beam, having a detection area adapted to, but not exceeding, the bowl perimeter. The detection area projects forward 15° to each side and 15° below. The adaptive infrared sensor automatically adapts to the bowl after power is turned on.

The infrared sensor is not affected by varying color tones or darkness. Direct sunlight or bright washroom lights will not activate the system. Infrared models also include solenoid valves and a low-voltage transformer as standard equipment:

- Solenoid – 24V, 50/60 Hz, 3/8" NPT. Few moving parts, and resistant to most chemicals, minerals, and impurities often present in municipal water supplies.
- Low-Voltage Transformer – Class II UL/CSA listed, 110/24 VAC plug-in transformer. Plugs into a standard GFCI protected electrical outlet. Location of transformer per local electrical code.

Battery Infrared Control (BIR3)

Each battery-powered sensor uses a zone-focused infrared transmitting beam, creating a large detection area not exceeding the bowl perimeter. The sensor is not affected by varying skin tones or darkness. When hands enter the detection area, the sensor starts water flow by opening the solenoid valve electronically. When hands leave the detection area, the sensor stops the flow of water by closing the valve.

The 6-volt DC electronically activated solenoid valve has few moving parts, providing reliable operation that is unaffected by most chemicals and minerals often present in municipal water supplies. Each station is powered by a single lithium battery. Battery type is Duracell® DL 223A or equivalent (batteries included).

Touch Time® Hand Control (TT)

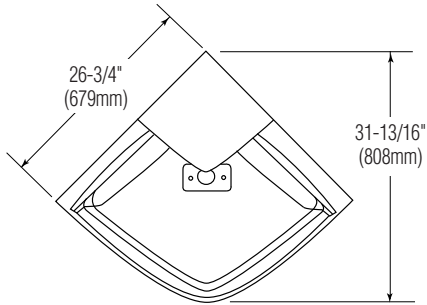
Each low-voltage button actuates a non-hold-open, slow-closing anti-hammer solenoid valve that is timed from an electronic potted assembly. Each push button activates a flow of tempered water from the non-sectional sprayhead. Touch Time® controls water flow at each station through the use of solid state, digital circuitry. Timing is electronically controlled at 15 seconds. Push button requires less than five pounds of pressure.

Verify all rough-in dimensions prior to installation.

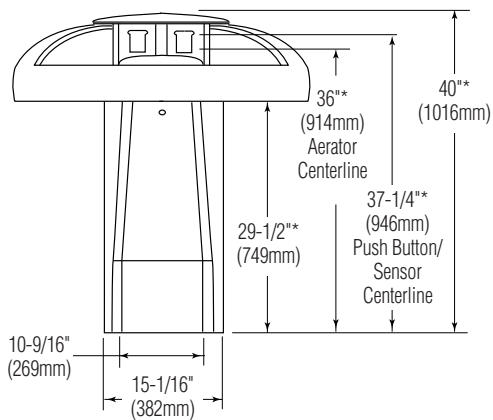
Consult local and national codes: conformity and compliance to local and national codes is the responsibility of the installer.

Dimensions - Standard and Juvenile Height

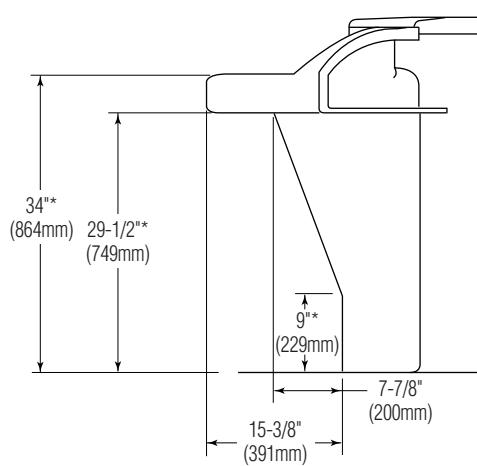
Top View



Front View



Side View

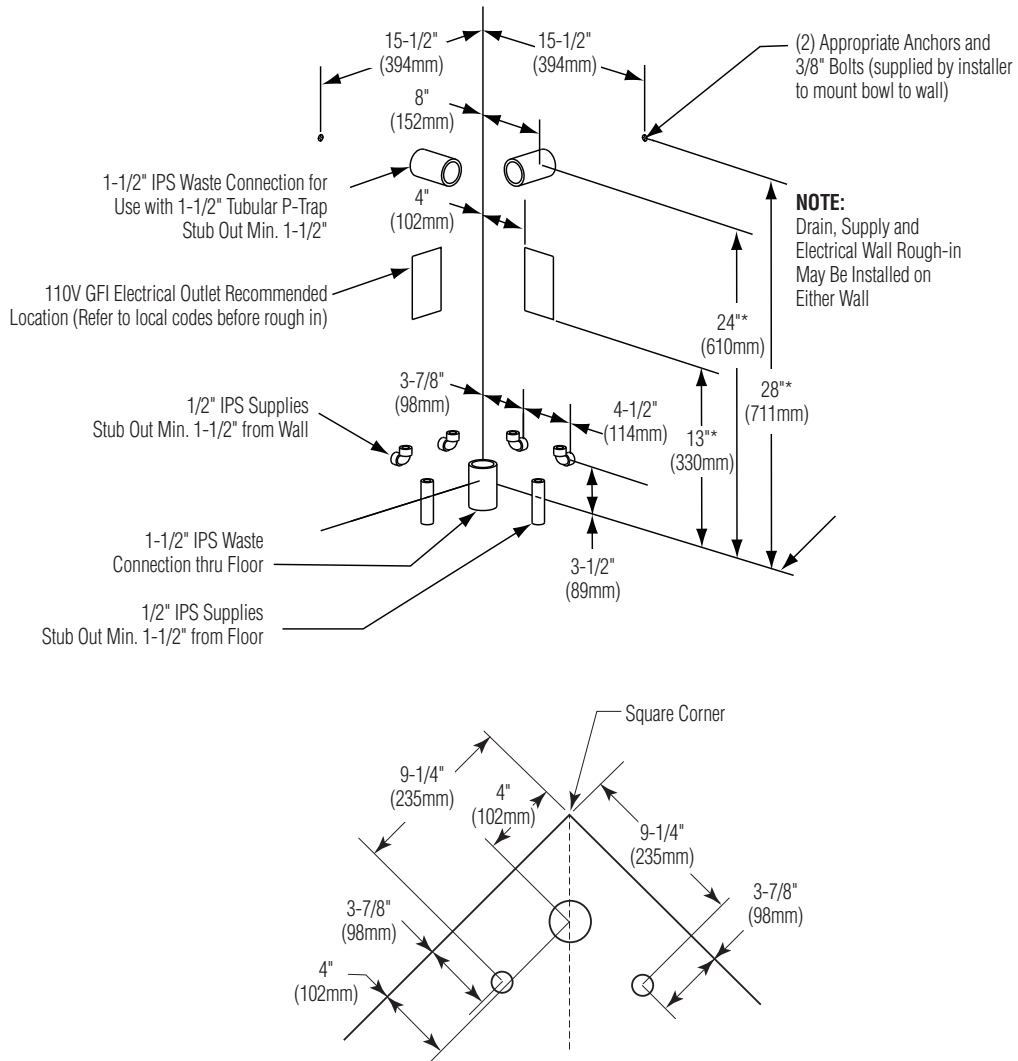


* Subtract 4" from these dimensions for Juvenile Height Model.

Verify all rough-in dimensions prior to installation.

Consult local and national codes: conformity and compliance to local and national codes is the responsibility of the installer.

Rough-Ins



* Subtract 4" from these dimensions for Juvenile Height Model.

Verify all rough-in dimensions prior to installation.

Consult local and national codes: conformity and compliance to local and national codes is the responsibility of the installer.