

- Complies with American National Standard Z358.1-2009
- Galvanized Steel Protected with BradTect® Safety Yellow Coating
- Flush-Mounted with Concealed Pipe and Fittings
- Universal Identification Sign and Inspection Tag Included
- Full, One-Year Warranty
- Patent Pending



Specifications

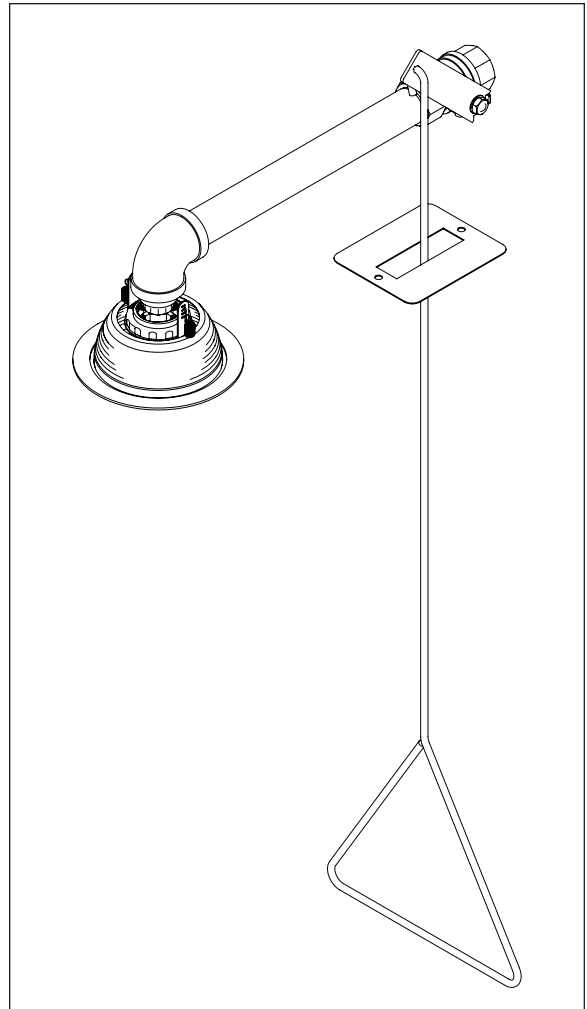
Integral flange mounts flush with finished ceiling. Showerhead is plastic, shroud is painted white steel, and the pull rod is stainless steel. Galvanized steel piping is additionally protected with BradTect® safety yellow coating. Shower provides a superior washdown with a more even spray pattern.

- Drench shower is designed to accommodate standard 8' ceiling height. ANSI Z358.1 compliant drench showers are mounted between 82"-96" from the lower edge of the showerhead or shroud to the floor.*

cUPC Approved:

The Emergency Fixtures are certified to comply with the requirements of the Uniform Plumbing Code and the National Plumbing Code of Canada by the International Association of Plumbing and Mechanical Officials (IAPMO).

- This plumbing fixture is not intended to dispense water for human consumption through drinking or for preparation of food or beverages.*



Model	Description
<input type="checkbox"/> S19-120FM	Flush-Mounted Drench Shower w/ Horizontal Supply
<input type="checkbox"/> S19-2100	Navigator EFX25 - Emergency Thermostatic Mixing Valve

Recommended Option:
 Navigator S19-2100 EFX25
 Emergency Thermostatic Mixing Valve



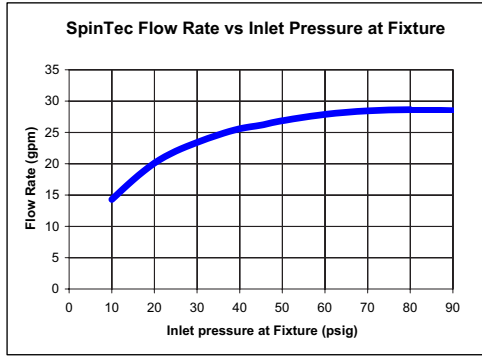
NAVIGATOR

Satisfies ANSI Z358.1-2009
 tepid water requirements.

Standard Equipment

SpinTec™ Showerhead

3.1" (78.7mm) diameter highly visible yellow impact-resistant plastic. SpinTec drench showerhead features integral 26 GPM flow control, conserving water and helping to accurately size your tepid water system.



Shower Valve

Chrome-plated brass 1" NPT stay-open ball valve. Operated by stainless steel pull rod with triangular handle.

Pipe and Fittings

Concealed galvanized steel with BradTect® safety yellow coating.

Water Supply

1/4" NPT horizontal.

