

# Drench Shower w/ Vertical Supply (Barrier-Free)

**Model S19-130BF**

**Model S19-130ABF**

**Model S19-130SSBF**

- Complies with American National Standard Z358.1-2004
- Easily Mounted in an Open Area
- Galvanized Steel Protected with BRADTECT™ Safety Yellow Coating or all Stainless Steel
- Universal Identification Sign and Inspection Tag Included
- Full, One-Year Warranty

## Specifications

Barrier-Free design makes this drench shower unit fully accessible to people with physical disabilities. Bradley meets accessible codes by assuring proper placement of shower heads and extended pull rods. Unit saves space and fits easily into any work environment. Shower valve operates quickly by an extended pull rod with a triangular handle.

### UPC and cUPC Approved:

The Emergency Fixtures are certified to comply with the requirements of the Uniform Plumbing Code and the National Plumbing Code of Canada by the International Association of Plumbing and Mechanical Officials (IAPMO).

## Construction

Impact-resistant plastic shower head is colored bright yellow for high visibility in emergency situations. Also available in corrosion resistant stainless steel. Extended shower pull rod is stainless steel. Galvanized steel piping is additionally protected with BRADTECT™ safety yellow coating. S19-130SSBF is all stainless steel construction.

## Standard Equipment

### Shower Head

10" (254mm) diameter yellow impact-resistant plastic. Models S19-130ABF and S19-130SSBF are 10" diameter stainless steel.

### Valve

Chrome-plated brass 1" IPS stay-open ball valve. Operated by stainless steel pull rod with triangular handle. S19-130SSBF is stainless steel.

### Pipe and Fittings

Galvanized steel protected with BRADTECT™ safety yellow coating. S19-130SSBF is stainless steel.

### Water Supply

1" IPS vertical.



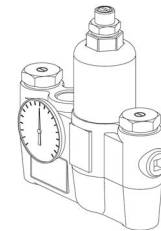
### Important Note:

*Drench shower is designed to accommodate standard 8' ceiling height - other ceiling heights must be specified and special ordered.*

### Recommended Option:

Navigator S19-2100 EFX25  
Emergency Thermostatic Mixing Valve

**NAVIGATOR**



Satisfies ANSI Z358.1-2004  
tepid water requirements.

Document No. 4115

This information is subject to change without formal notice.  
© 2006 Bradley Corporation  
10-11-2006 (2 Pages Total)

**Bradley** 

P.O. Box 309, Menomonee Falls, WI 53052-0309  
Phone 1-800-BRADLEY FAX 262-251-5817  
Web Site: <http://www.bradleycorp.com>

EF4115.1



**SEI** CERTIFIED  
MODEL  
Z358.1-2004

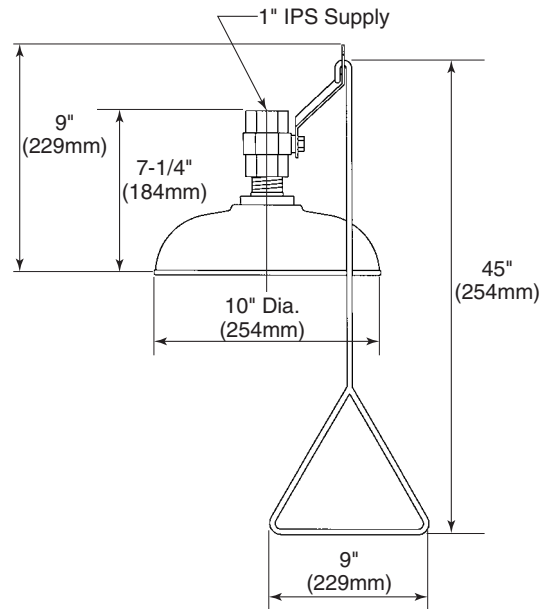
# Drench Shower w/ Vertical Supply (Barrier-Free)

Model S19-130BF

Model S19-130ABF

Model S19-130SSBF

MODEL	
Model No.	Description
<input type="checkbox"/> S19-130BF	Drench Shower w/ Vertical Supply Plastic Shower Head (Barrier-Free)
<input type="checkbox"/> S19-130ABF	Drench Shower w/ Vertical Supply Stainless Steel Shower Head (Barrier-Free)
<input type="checkbox"/> S19-130SSBF	Drench Shower w/ Vertical Supply All Stainless Steel Fixture (Barrier-Free)
<input type="checkbox"/> S19-2100	Navigator EFX25 – Emergency Thermostatic Mixing Valve



Document No. 4115

This information is subject to change without formal notice.  
© 2006 Bradley Corporation  
10-11-2006 (2 Pages Total)



P.O. Box 309, Menomonee Falls, WI 53052-0309  
Phone 1-800-BRADLEY FAX 262-251-5817  
Web Site: <http://www.bradleycorp.com>