

- Galvanized Steel Protected with BradTect® Safety Yellow Coating
- Universal Identification Sign and Inspection Tag Included
- Full, One-Year Warranty
- Patent Pending



Specifications

This unit is most often used with over-the-door installations which orient blinded or panic-stricken accident victims to the location of the shower. Installed with an 84" (2134mm) nylon cord, pulley, and wall bracket. Impact-resistant plastic showerhead is colored bright yellow for high visibility in emergency situations. Shower provides a superior washdown with a more even spray pattern. Galvanized steel piping is additionally protected with BradTect® safety yellow coating.

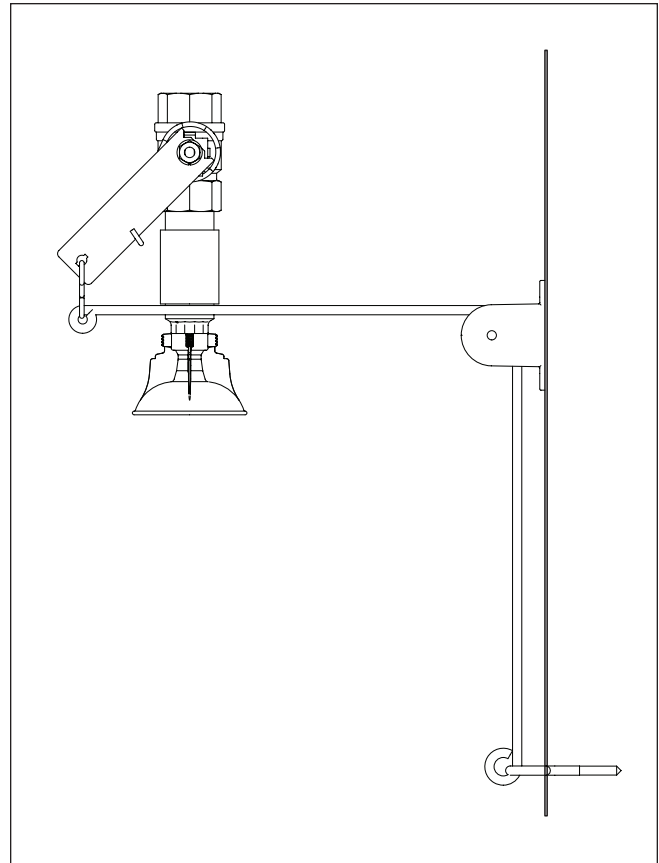
SELF-CLOSING SHOWER VALVE SPRING ADAPTER S19-001V: This adapter does not comply with ANSI Z358.1-2009, which states: "The valve shall remain open without the use of the operator's hands until intentionally closed."

Drench shower is designed to accommodate standard 8' ceiling height. ANSI Z358.1 compliant drench showers are mounted between 82"-96" from the lower edge of the showerhead or shroud to the floor.

cUPC Approved:

Model S19-120G is certified to comply with the requirements of the Uniform Plumbing Code and the National Plumbing Code of Canada by the International Association of Plumbing and Mechanical Officials (IAPMO).

This plumbing fixture is not intended to dispense water for human consumption through drinking or for preparation of food or beverages.



Model	Description
<input type="checkbox"/> S19-130F	Cord-Operated Drench Shower w/ Vertical Supply
<input type="checkbox"/> S19-2100	Navigator EFX25 - Emergency Thermostatic Mixing Valve

Recommended Option:
Navigator S19-2100 EFX25
Emergency Thermostatic Mixing Valve

NAVIGATOR

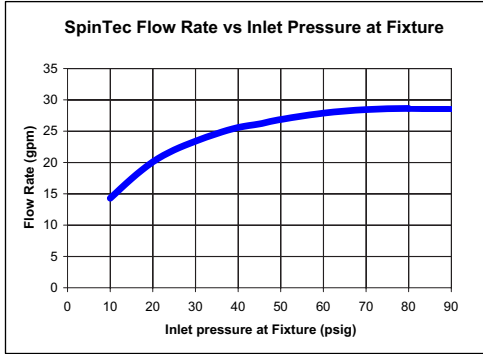


Satisfies ANSI Z358.1-2009
tepid water requirements.

Standard Equipment

SpinTec™ Showerhead

3.1" (78.7mm) diameter highly visible yellow impact-resistant plastic. SpinTec drench showerhead features integral 26 GPM flow control, conserving water and helping to accurately size your tepid water system.



Shower Valve

Chrome-plated brass 1" NPT stay-open ball valve. Operated by an 84" (2134mm) nylon cord with pulley and wall bracket. Valve is self-closing.

Pipe and Fittings

Concealed galvanized steel with BradTect® safety yellow coating.

Water Supply

1¼" NPT vertical.

