

- Laboratory Application
- Complies with American National Standard Z358.1-2009
- Universal Mount for Both Standard and Gooseneck Faucets (faucets not included)
- Includes Universal Identification Sign and Inspection Tag
- Full One-Year Warranty



Specifications

Low-cost eyewash mounts easily to both standard and gooseneck faucets. For eyewash use, leave cold water supply on at all times. To operate unit pull actuator pin toward user. For faucet use, water flow is activated by the use of the diverter pin. Push the pin to the opposite side for water flow.

- To eliminate the risk of scalding eyes during use, it is recommended that hot water supply to the faucet be disconnected or that tempered water be provided.

cUPC Approved:

The Emergency Fixtures are certified to comply with the requirements of the Uniform Plumbing Code and the National Plumbing Code of Canada by the International Association of Plumbing and Mechanical Officials (IAPMO).

Standard Equipment

Standard Sprayhead Assembly

Chrome-plated brass sprayhead assembly with twin soft-flow eyewash heads and highly visible yellow plastic protective covers. Safe, steady water flow under varying water supply conditions from 30–90 PSI is assured by integral flow control in the sprayhead assembly.

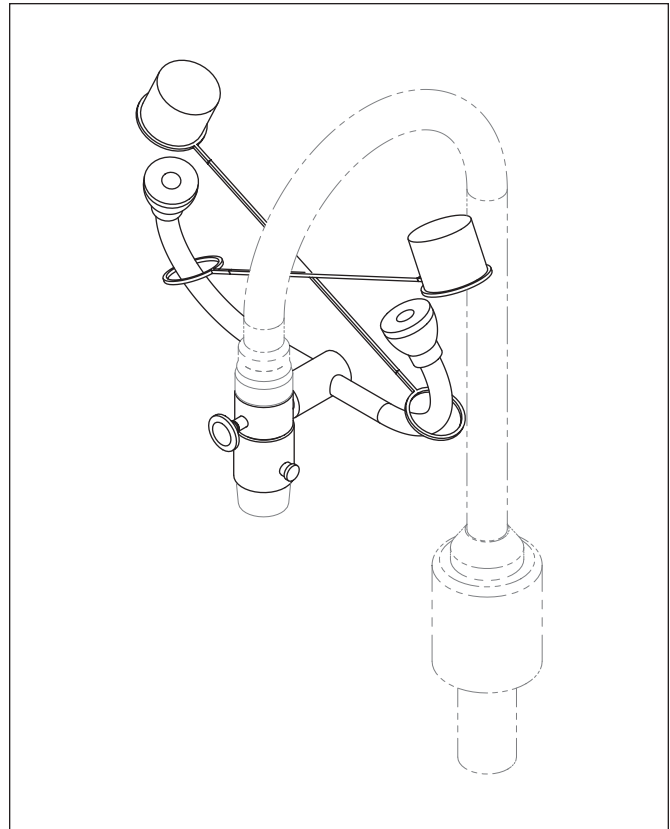
Adapter

Chrome-plated brass adapter replaces faucet aerator; provides for eyewash mounting to faucet. Standard thread on fixtures fits standard or gooseneck faucets with $\frac{5}{8}$ " x 27 thread (male). Unit is also provided with two adapters to convert the standard thread to fit faucets with $\frac{1}{2}$ " x 27 thread (female) and $\frac{3}{8}$ " x 27 thread (female).

- Other adapter options available at an additional cost through Bradley Fixtures Corp. See model listing below or call Bradley for details. To determine the faucet's thread size, please contact the faucet manufacturer.

Diverter

Chrome-plated brass diverter attaches to adapter. Provides for one-step activation which complies with ANSI Standard Z358.1-2009 when installed and used properly.



Model	Description
<input type="checkbox"/> S19-200B	Faucet-Mount Eyewash
<input type="checkbox"/> S19-2000	Navigator EFX8 - Emergency Thermostatic Mixing Valve
Optional Adapters Available for Purchase	
<input type="checkbox"/> 153-401	Female, $\frac{3}{4}$ " (Garden Hose) – Chrome
<input type="checkbox"/> 153-395	Female, $\frac{1}{2}$ " x 24 – Chrome
<input type="checkbox"/> 153-396	Male, $\frac{3}{8}$ " NPSM – Chrome
<input type="checkbox"/> 153-422	Male, $\frac{1}{2}$ " x 28 – Chrome
<input type="checkbox"/> 153-440	Female, $\frac{3}{4}$ " x 27 – Chrome

Recommended Option:
Navigator S19-2000 EFX8
Emergency Thermostatic Mixing
Valve

Satisfies ANSI Z358.1-2009
tepid water requirements.

