

- Complies with American National Standard Z358.1-2009
- Galvanized Steel Pipe and Waste Tee with Floor Flange Protected with BradTect® Safety Yellow Coating or All Stainless Steel
- Universal Identification Sign and Inspection Tag Included
- Full, One-Year Warranty

### Specifications

Unit design saves space and fits easily into any work environment. Eyewash operates quickly by a large, highly visible push handle. Safe, steady water flow under varying water supply conditions from 30-90 PSI is assured by integral flow control in the sprayhead assembly.

### UPC and CUPC Approved

The emergency fixtures are certified to comply with the requirements of the Uniform Plumbing Code and the National Plumbing Code of Canada by the International Association of Plumbing and Mechanical Officials (IAPMO).

### Construction

Galvanized steel pipe and waste tee with floor flange are additionally protected with BradTect® safety yellow coating. S19-210BSS is all stainless steel construction.

### Standard Equipment

#### Eyewash Bowl

10" (254mm) diameter yellow impact resistant plastic or 10¼" (273mm) diameter corrosion-resistant stainless steel.

#### Standard Sprayhead Assembly

Chrome-plated brass sprayhead assembly with twin, soft flow, eyewash heads and protective sprayhead covers. The integral flow control assures safe, steady flow under varying water supply conditions from 30-90 PSI. Model S19-210BSS is all stainless steel.

#### Valve

Chrome-plated brass ½" IPS stay-open ball valve. Hand-operated by a large, highly visible push handle. Model S19-210BSS is all stainless steel.

#### Pipe and Fittings

Galvanized steel and waste tee with floor flange protected with BradTect® safety yellow coating. Model S19-210BSS is all stainless steel.

#### Waste

Dome-type strainer and 1¼" drain fitting furnished.

#### Water Supply

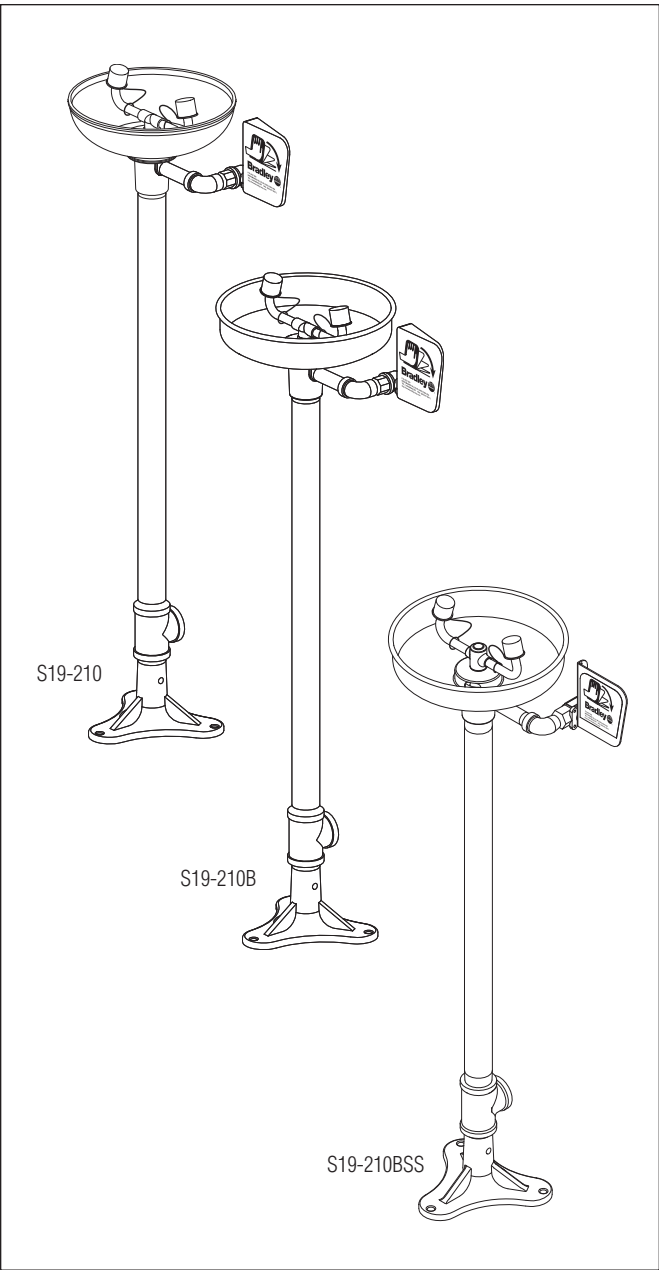
½" NPT.

**Recommended Option:**  
Navigator S19-2000 EFX8  
Emergency Thermostatic Mixing Valve



**NAVIGATOR**

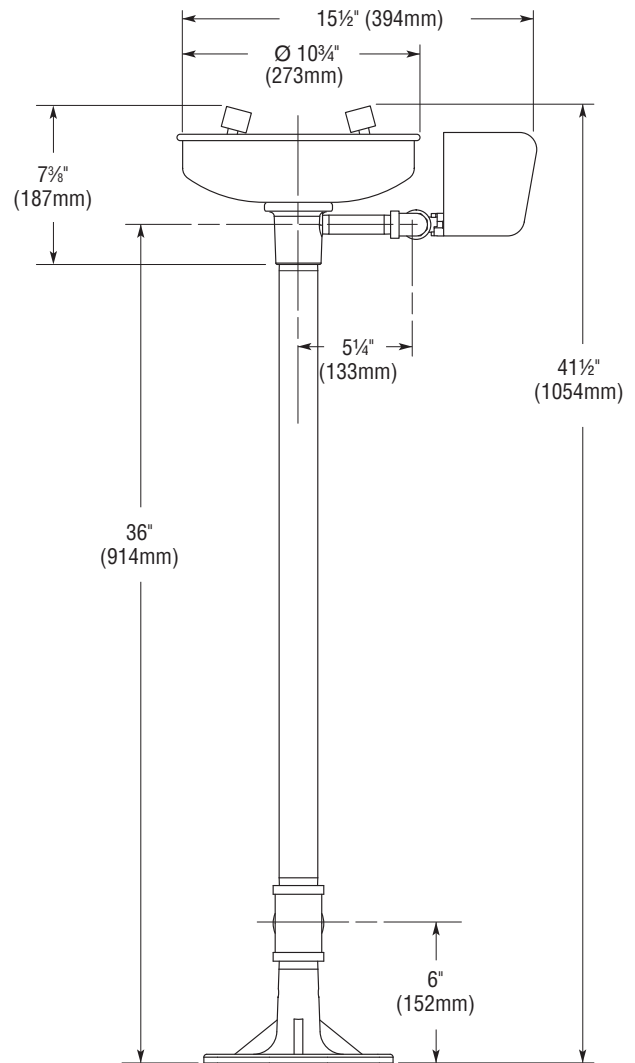
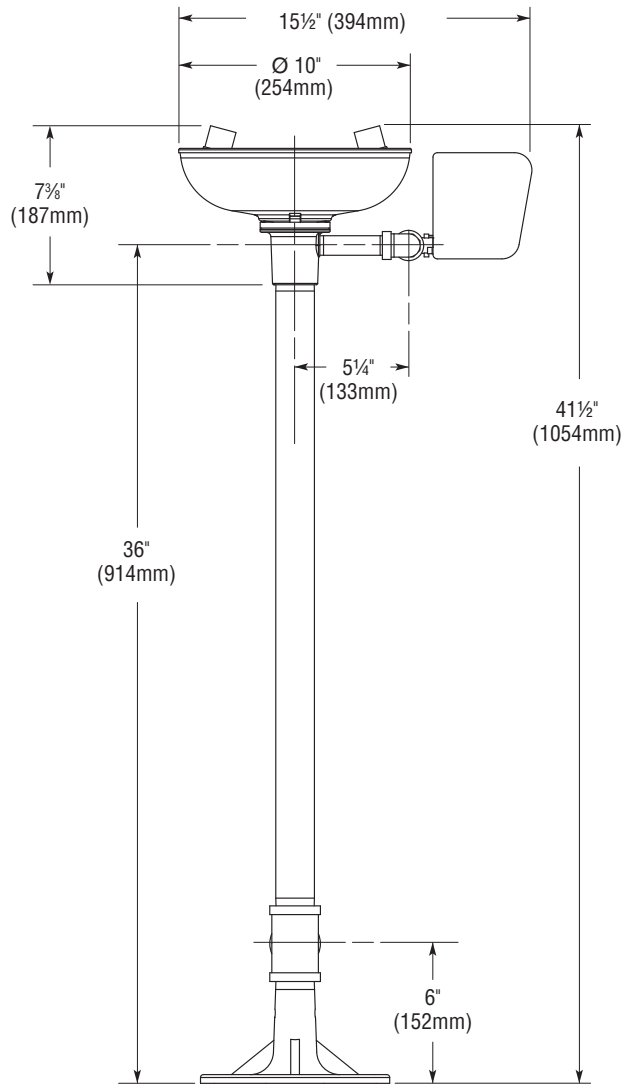
Satisfies ANSI Z358.1-2004  
tepid water requirements.



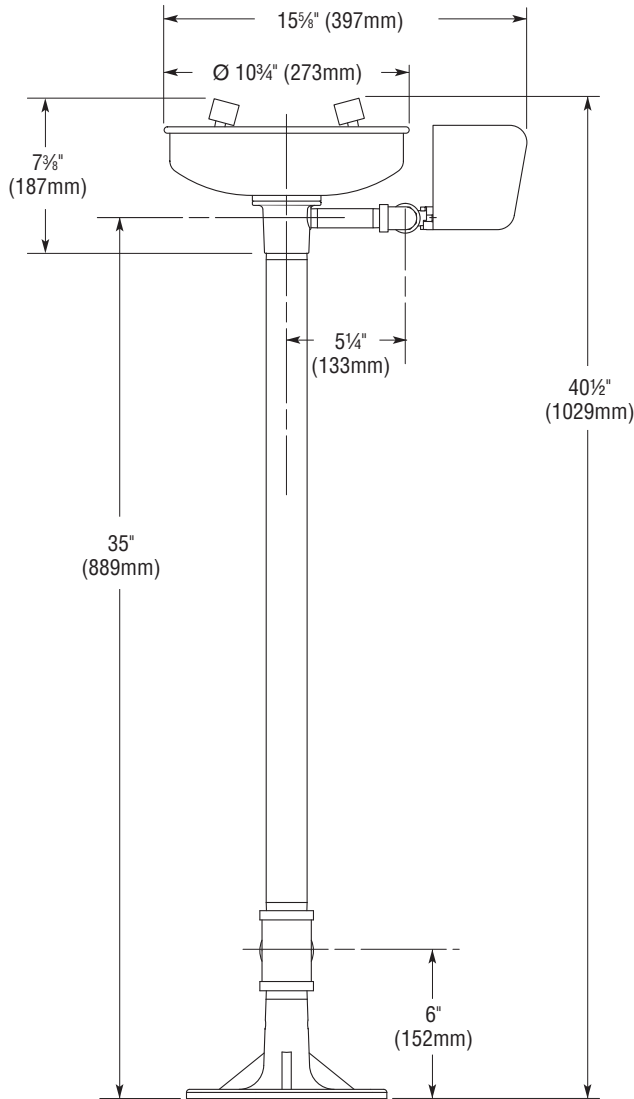
Model Number	Description
<input type="checkbox"/> S19-210	Pedestal-Mounted Eyewash Unit with Plastic Bowl
<input type="checkbox"/> S19-210B	Pedestal-Mounted Eyewash Unit with Stainless Steel Bowl
<input type="checkbox"/> S19-210BSS	Pedestal-Mounted Eyewash Unit – All Stainless Steel
<input type="checkbox"/> S19-2000	Navigator EFX8 – Emergency Thermostatic Mixing Valve



**CERTIFIED  
MODEL  
Z358.1-2004**



**NOTE:** All dimensions assume standard thread engagement. Variations in manufacturing allow for +/- 1/8" (3mm) per threaded joint. To find the tolerance of a dimension, add the number of thread joints in between a dimension and multiply it by 1/8" (3mm).



**NOTE:** All dimensions assume standard thread engagement. Variations in manufacturing allow for +/- 1/8" (3mm) per threaded joint. To find the tolerance of a dimension, add the number of thread joints in between a dimension and multiply it by 1/8" (3mm).