

- Complies with American National Standard Z358.1-2009
- Galvanized Steel Pipe and Waste Tee with Floor Flange Protected with BradTect® Safety Yellow Coating
- Universal Identification Sign and Inspection Tag Included
- Full, One-Year Warranty



## Specifications

### Barrier-Free Accessibility

Unit design saves space and fits easily into any work environment. Because of the placement of the eyewash bowl on the unit, wheelchair users are accommodated. Eye/face wash operates quickly by a large, highly visible push handle. Safe, steady water flow under varying water supply conditions from 30–90 PSI is assured by integral flow control in the sprayhead assembly. NOTE: The ANSI Z358.1 standard requires an uninterrupted supply of flushing fluid at a minimum 30 PSI flowing pressure.

### UPC and cUPC Approved

The emergency fixtures are certified to comply with the requirements of the Uniform Plumbing Code and the National Plumbing Code of Canada by the International Association of Plumbing and Mechanical Officials (IAPMO).



*This plumbing fixture is not intended to dispense water for human consumption through drinking or for preparation of food or beverages.*

## Standard Equipment

### Eyewash Bowl

10¾" (273) diameter corrosion-resistant stainless steel.

### Standard Sprayhead Assembly

Chrome-plated brass sprayhead assembly with twin soft-flow eyewash heads and protective sprayhead covers. Safe, steady water flow under varying water supply conditions from 30–90 PSI is assured by integral flow control in the sprayhead assembly.

### Face Spray Ring

Chrome-plated circular spray ring provides supplemental face spray. Flow control assures adequate flow from eyewash nozzles and face spray ring from 30–90 PSI.

### Valve

Chrome-plated brass ½" NPT stay-open ball valve. Hand operated by a large, highly visible safety yellow PVC push handle.

### Pipe and Fittings

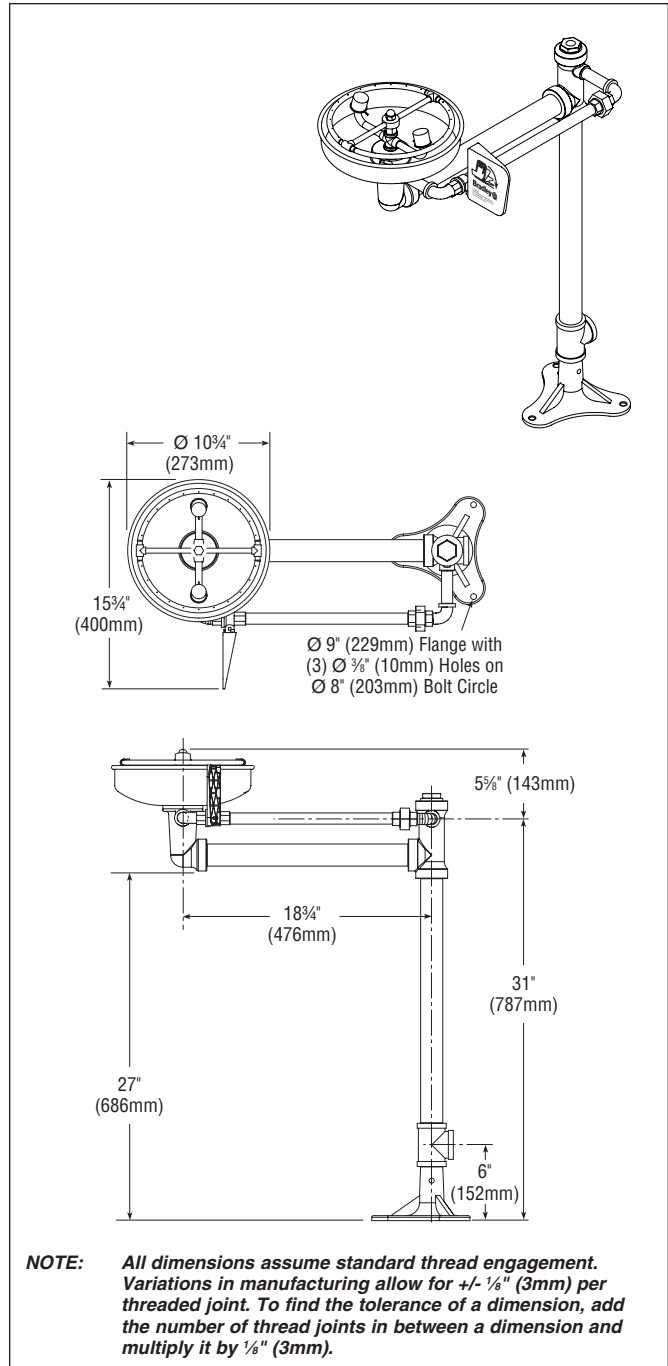
Galvanized steel and waste tee with floor flange protected with BradTect® safety yellow coating.

### Waste

1¼" drain fitting furnished.

### Water Supply

½" NPT.



**Recommended Option:**

Navigator S19-2000 EFX8  
Emergency Thermostatic Mixing Valve

**NAVIGATOR**

Satisfies ANSI Z358.1-2009  
tepid water requirements.

Model Number	Description
<input type="checkbox"/> S19-210BF	Pedestal-Mounted Eye/Face Wash Unit (Barrier Free)
<input type="checkbox"/> S19-2000	Navigator EFX8 – Emergency Thermostatic Mixing Valve