

- Complies with ANSI Standard Z358.1-2009
- Universal Right or Left Hand Mounting with Locking Mechanism
- Chrome-Plated Brass Pipe and Fittings
- Universal Sign and Inspection Tag Included
- Full, One-Year Warranty



### Specifications

Unit design saves space and fits easily into any work environment. Eye and eye/face wash units operate quickly by pulling swing arm 90° over sink. Universal mounting design with locking mechanism allows you to install either right or left handed. Safe, steady water flow under varying water supply conditions from 30–90 PSI is assured by integral flow control in the shank. NOTE: The ANSI Z358.1 standard requires an uninterrupted supply of flushing fluid at a minimum 30 PSI flowing pressure. Eye/face wash sprayheads contain an antimicrobial agent to protect the sprayheads (S19-270E only).

### UPC and cUPC Approved

The Emergency Fixtures are certified to comply with the requirements of the Uniform Plumbing Code and the National Plumbing Code of Canada by the International Association of Plumbing and Mechanical Officials (IAPMO).



*This plumbing fixture is not intended to dispense water for human consumption through drinking or for preparation of food or beverages.*

### Standard Equipment

#### Standard Sprayhead Assembly

Chrome-plated brass sprayhead assembly with twin soft-flow eyewash heads and protective sprayhead covers. The integral flow control assures safe, steady flow under varying water supply conditions from 30–90 PSI. (S19-270C).

#### Eye/Face Wash Sprayhead Assembly

Twin perforated disc eye/face wash heads with protective sprayhead covers. The integral flow control assures safe, steady flow under varying water supply conditions from 30–90 PSI. (S19-270E).

#### Valve

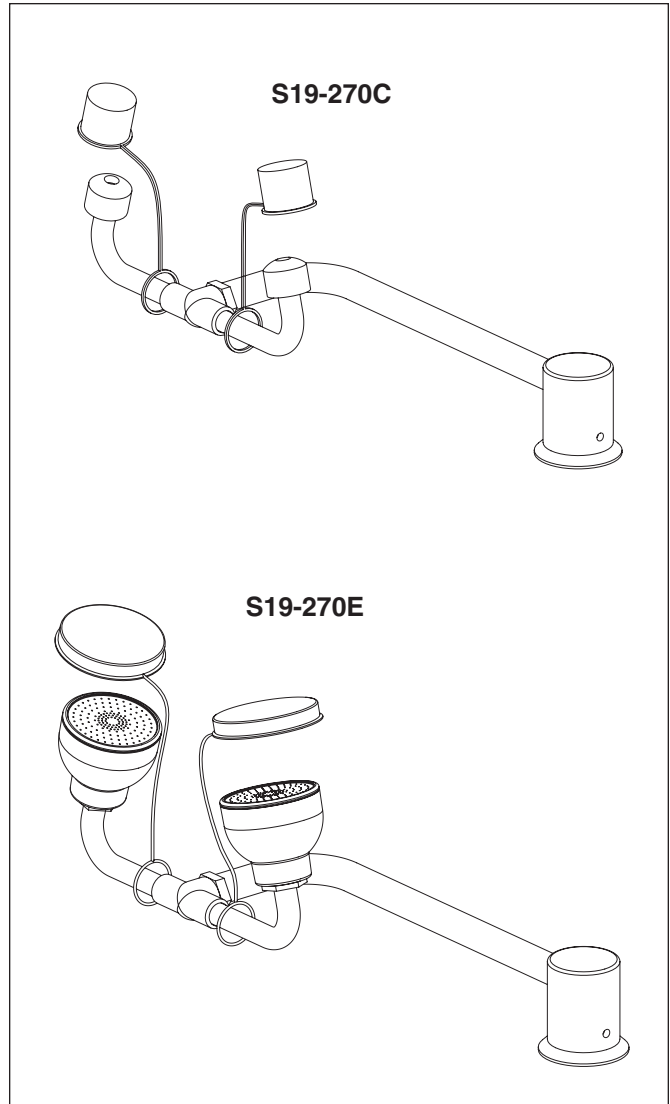
Chrome-plated brass ½" NPT stay-open valve. Water flow is activated by pulling swing arm 90° over sink. Water will continue to flow until arm is returned to original position.

#### Pipe and Fittings

Chrome-plated brass.

#### Water Supply

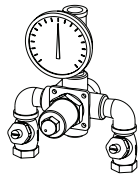
½" NPT.



### Recommended Option:

Navigator S19-2000 EFX8  
Emergency Thermostatic Mixing Valve

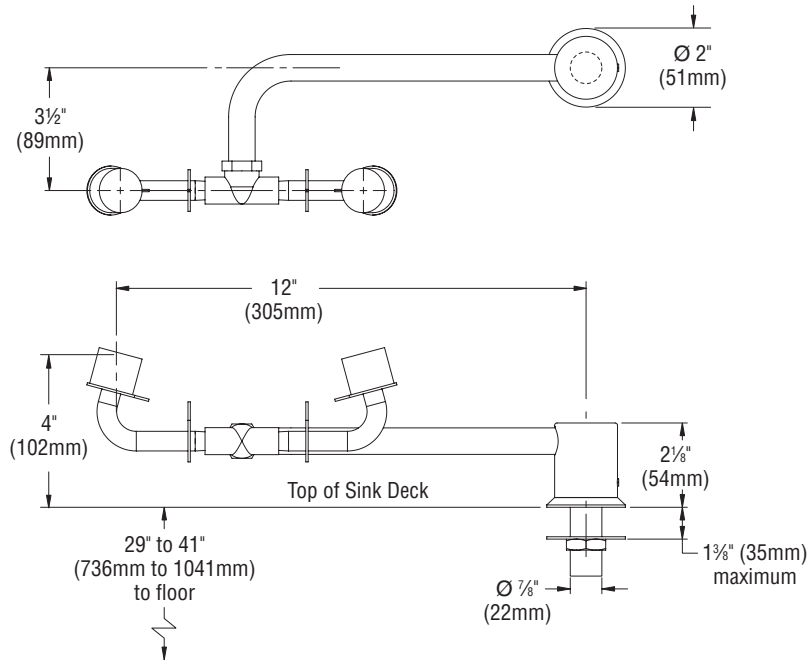
**NAVIGATOR** 



Satisfies ANSI Z358.1-2009  
tepid water requirements.

Model Number	Description
<input type="checkbox"/> S19-270C	Swing-Activated Eyewash – Universal Mount
<input type="checkbox"/> S19-270E	Swing-Activated Eye/Face Wash – Universal Mount
<input type="checkbox"/> S19-2000	Navigator EFX8 - Emergency Thermostatic

**S19-270C**



**S19-270E**

