

- Complies with American National Standard Z358.1-2009
- Laboratory Spray Valve
- Highly Visible Yellow-Colored Hose (S19-430A) or Flexible Stainless Steel Hose (S19-430D)
- Wall Bracket Included
- Full, One-Year Warranty

Specifications

Perforated sprayhead provides soft spray for cleansing eyes and face. Handle stays open once valve is squeezed. Hose bracket for wall hanging included. Operating range is 30–90 psi. Flow rate: 2.4–2.8 gpm. Hand-held hose sprayhead contains an antimicrobial agent to protect the sprayhead.

cUPC Approved:

The Emergency Fixtures are certified to comply with the requirements of the Uniform Plumbing Code and the National Plumbing Code of Canada by the International Association of Plumbing and Mechanical Officials (IAPMO).

- This plumbing fixture is not intended to dispense water for human consumption through drinking or for preparation of food or beverages.*
- Drench hoses must provide a controlled flushing fluid flow that is both tepid and non-injurious to the user per ANSI Z358.1-2009. Refer to ANSI Z358.1-2009 for complete regulatory information regarding the performance, installation, maintenance, and training requirements for drench hoses.*
- Installer to supply backflow prevention as required by UPC, IPC and/or local plumbing codes. Contact Bradley or visit bradleycorp.com for available options.*

Standard Equipment

Sprayhead

Perforated sprayhead is ABS plastic and provides soft spray for cleansing eyes and face. Includes protective sprayhead covers. Integral flow control assures safe, steady flow under varying water supply conditions.

Valve

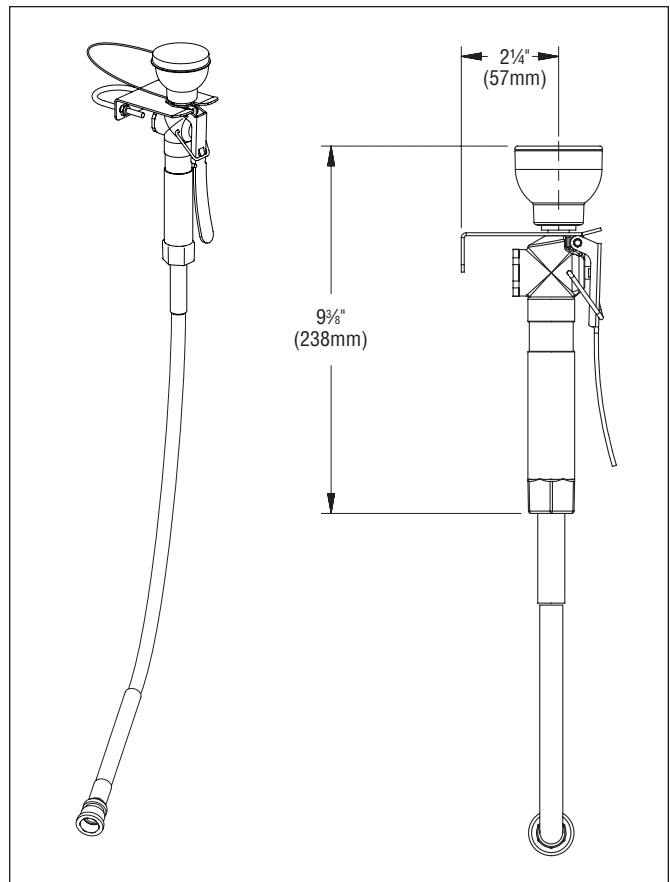
Chrome-plated brass with extended handle stays open once handle is squeezed.

Drench Hose — For Model S19-430A

8' (2438mm) yellow reinforced thermoplastic hose has 3/8" NPT male thread. Burst strength is 450 PSI.

Drench Hose — For Model S19-430D

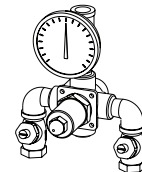
6' (1829mm) stainless steel hose has 3/8" NPT male thread. Burst strength is 750 PSI.



Recommended Option:

Navigator S19-2000 EFX8
Emergency Thermostatic Mixing Valve

NAVIGATOR



Satisfies ANSI Z358.1-2009
tepid water requirements.

Model	Description
<input type="checkbox"/> S19-430A	Wall-Mount Hand-Held Hose Spray with Yellow Thermoplastic Hose
<input type="checkbox"/> S19-430D	Wall-Mount Hand-Held Hose Spray with Stainless Steel Flexible Hose
<input type="checkbox"/> S27-303	Series 7 Dual-Check Backflow Preventer
<input type="checkbox"/> S45-2309	Series 9 Dual-Check Vacuum Breaker
<input type="checkbox"/> S45-2310	Series 9D Dual-Check Backflow Preventer