

# Stainless Steel Food Service Lavatory

- Made from 14 gauge 300 series Stainless Steel
- Quick and simple wall-hung installation
- Generous 8" high backsplash to protect walls

## Specifications

### Size and Capacity

Lavatory bowl measures 14-1/2" x 9-1/2" x 5" deep. The deck has a 1-1/8" hole for center shank faucet mounting. The 8" high backsplash provides extra protection for walls when using a gooseneck faucet.

### Construction and Finish

Constructed of 14 gauge 300 series stainless steel with a bead blast finish on the deck, bowl, and backsplash. The deck has a 1" rim for added strength and 45° angled front corners for safety. The bowl, deck and backsplash are a single, integral unit for easy cleaning.

### Wall Mounting

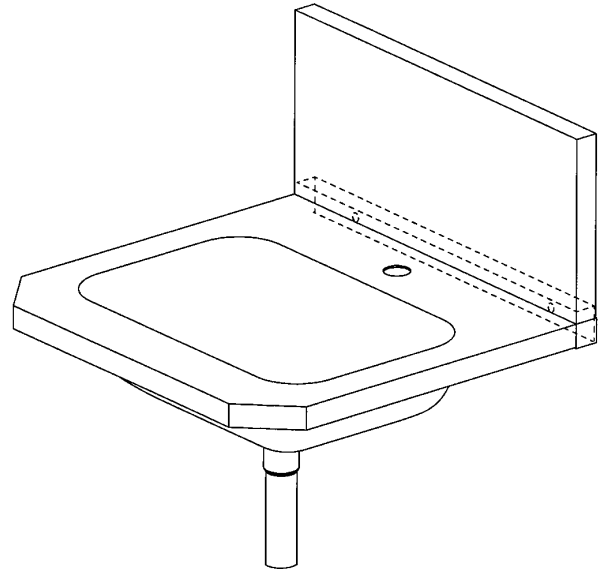
Designed to be mounted using five 1/4" wall anchors (supplied by installer). The lavatory is mounted to the wall with a stainless steel wall bracket and secured under the back of the deck with two of the 1/4" wall anchors.

## Standard Equipment

The wall hanger bracket and an 1-1/4" tailpiece and strainer are included with the unit for ease of installation.

## Sample Specification

Stainless steel lavatory shall be Bradley Model S93-515. Fixture shall be constructed of 14 gauge 300 series stainless steel and include an 8" high integral backsplash, wall hanger bracket, and 1-1/4" tailpiece and strainer. The deck, bowl and backsplash surfaces shall have a bead blast finish and have all outside welds ground smooth with no visible voids, seams or crevices.



Model S93-515

MODEL		
Model No.	Description	Ship Wt
☐ S93-515	Food Service Lavatory	18 lbs.

For more information on Faucets, Valves, Transformers, and Cabinets, please refer to the Faucet Section of the Bradley Plumbing Fixtures Catalog or [www.bradleycorp.com](http://www.bradleycorp.com)

Document No. 6520

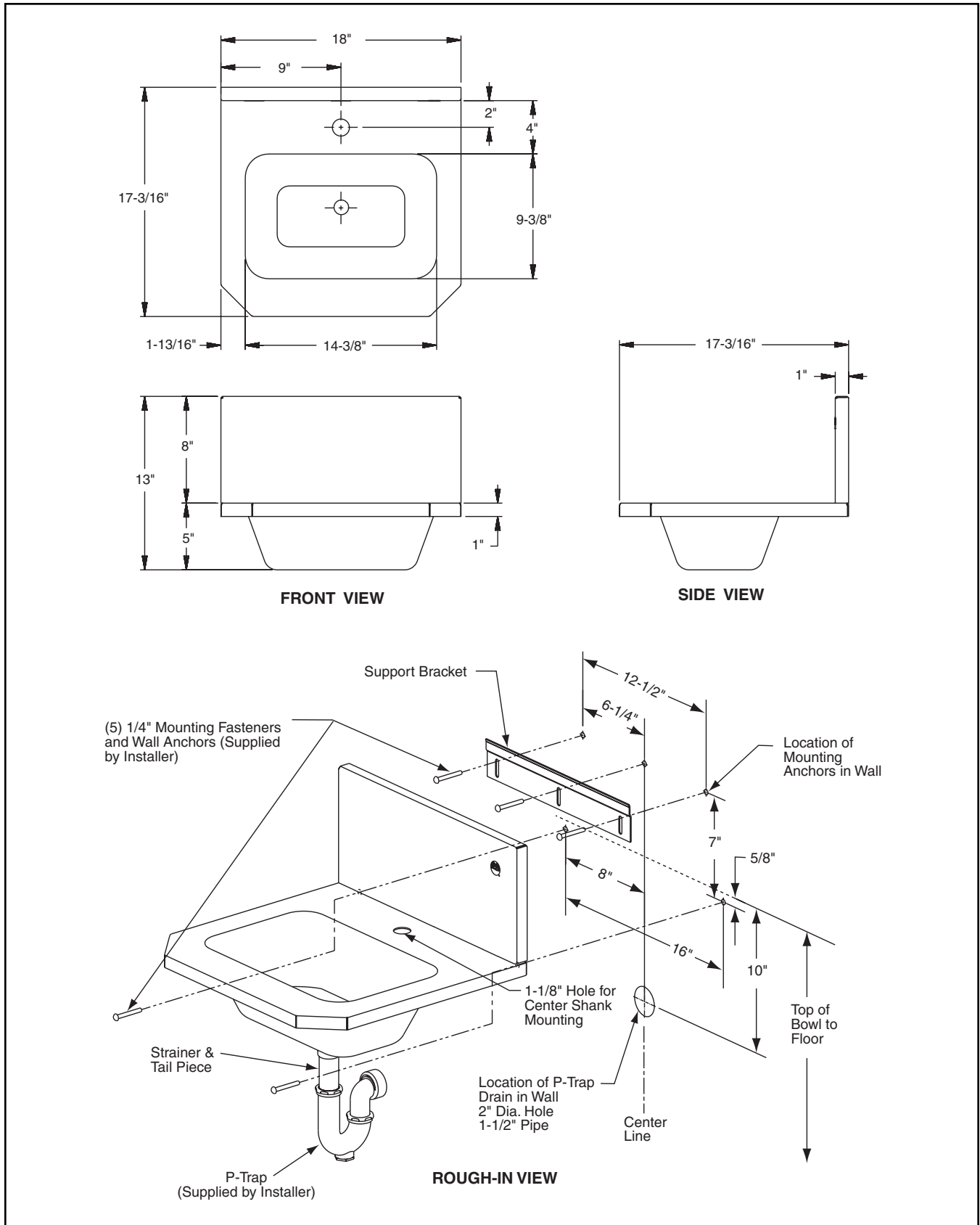
This information is subject to change without formal notice.  
© 2007 Bradley Corporation  
3-8-2007 (2 Pages Total)

**Bradley** 

P.O. Box 309, Menomonee Falls, WI 53052-0309  
Phone 1-800-BRADLEY FAX 262-251-5817  
<http://www.bradleycorp.com>

# Stainless Steel Food Service Lavatory

## PLUMBING FIXTURES TECHNICAL DATA



Bradley Corporation reserves the right to make changes in design and material without formal notice and without incurring obligation. Verify all rough-in dimensions prior to installation.