

- Sturdy cabinet with fully enclosed bottom
- 1-1/4" no-hub elbow waste
- Meets all applicable ADA height and clearance requirements
- All units factory tested for proper operation

Specifications

Materials

All cabinet materials, including interior piping are Type 304 stainless steel. The fixture is made from heavy gauge stainless steel with seamless welded surfaces.

Construction

Cabinet

All welded construction with exposed welds ground smooth, and all accessible seams and voids eliminated. Bottom of lavatory cabinet is fully enclosed with a seamless welded plate. Access panel for bubbler and push-button service is located on underside of cabinet.

Lavatory

Die-drawn lavatory has multiple hole fast drain with 1-1/4" no-hub elbow waste and air vent. Bowl measures 2" deep. Valve options include single temperature self-closing pneumatic metering and electric metering valves.

Finish

All exposed stainless steel surfaces have a bead blast finish (optional #4 polished satin finish.)

Wall Anchoring

No exposed mounting fasteners in cell area – fixture is completely secured from pipe chase side with rust-resistant mounting hardware for walls up to 12" thick furnished.



LAV6180 (Optional Equipment Shown)



Fixture requires wall openings and accessible chase for installation and maintenance. Some field assembly may be required.

Model	
<input type="checkbox"/> LAV6180	
Required Selections (Must select one from each category)	
Finish:	
<input type="checkbox"/> BB	Bead Blast (Standard)
<input type="checkbox"/> PS	Polished Stainless Steel
Wall Thickness (select one):	
<input type="checkbox"/> 0-4	0-4" Wall Thickness
<input type="checkbox"/> 4-8	4-8" Wall Thickness
<input type="checkbox"/> 8-12	8-12" Wall Thickness
Valve: (select either a Filler or Other Configuration)	
<input type="checkbox"/> ASTS	Air Single Temp Self-Closing Valve
<input type="checkbox"/> ASTM	Air Single Temp Metering Valve
<input type="checkbox"/> TTST	Touch Time™ Single Temp Electronic Metering Valve
<input type="checkbox"/> NV	No Valves
Filler/Bubbler: (Select One)	
<input type="checkbox"/> DMPF	Deck Mounted Penal Filler
<input type="checkbox"/> DMCF	Deck Mounted Code Filler
<input type="checkbox"/> NF	No Filler
Lavatory Wastes:	
<input type="checkbox"/> EW-NH	Elbow Waste - No-Hub (Standard)
<input type="checkbox"/> 1 1/4EW-C	1-1/4" Elbow Waste - Coupling
<input type="checkbox"/> 1 1/2EW-C	1-1/2" Elbow Waste - Coupling

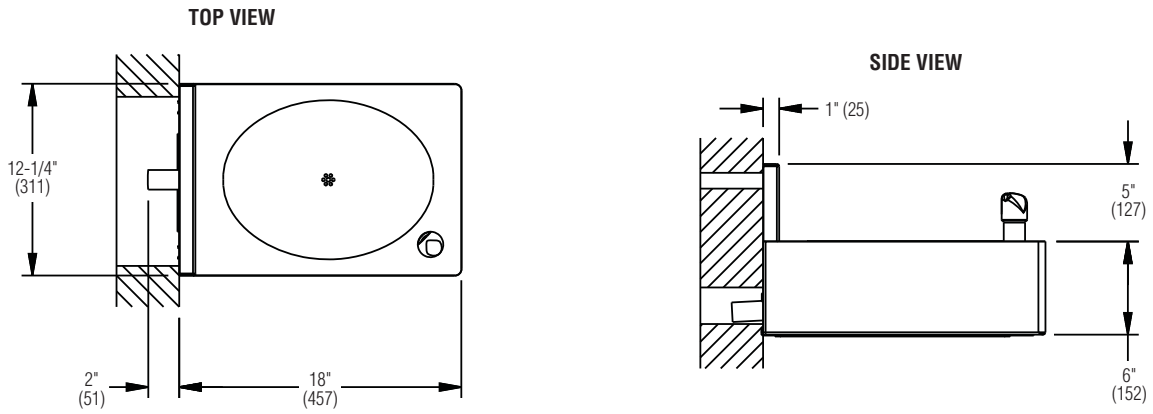
Optional Selections

In Chase Lavatory Waste Accessories:

- 1 1-4PN** 1-1/4" P-Trap - No Hub
- 1 1-2PN** 1-1/2" P-Trap - No Hub
- 1 1-4PC** 1-1/4" P-Trap - Coupling
- 1 1-2PC** 1-1/2" P-Trap - Coupling
- 1 1-4ON** 1-1/4" Clean-Out - No Hub
- 1 1-2ON** 1-1/2" Clean-Out - No Hub
- 1 1-4OC** 1-1/4" Clean-Out - Coupling
- 1 1-2OC** 1-1/2" Clean-Out - Coupling

Lav Water Supply:

- TMA** Thermostatic Mixing Supply



ROUGH-IN DIMENSIONS
 (View is from fixture side)

