

- ADA compliant
- 1-1/2" NPT inlet connection
- All units factory tested for proper operation

Specifications

Materials

All cabinet materials, including interior piping are Type 304 stainless steel. The fixture is made from heavy gauge stainless steel with seamless welded surfaces.

Construction

All welded construction with exposed welds ground smooth, and all accessible seams and voids eliminated. Fixture will withstand up to 5,000 lb. load on front area of toilet (certified test results of such loading are available upon request). Elongated die-drawn bowl has siphon jet action for positive flush. 30 PSI (flowing into flush valve) required for flushing. A 1.6 gallon-per-flush (low-flow) toilet is standard. Toilet assembly meets ANSI/ASME A112.19.2.



When choosing the Floodbuster option, a minimum of 35 PSI flowing into the Floodbuster valve is required.

Flush Valve

Flush valve is not included as standard equipment with the unit. Flush valve included when specified.

Finish

All exposed steel surfaces to have a bead blast finish (optional #4 satin polished finish, integral contoured seat polished to option #7 sanitary finish). Exposed fasteners are chrome-plated brass.



Flange Anchoring

Floor flange secured with 5/8" mounting studs (furnished by others) and vandal-resistant cap nuts supplied with special driver. Suitable anchors furnished by others.



Fixture requires wall openings and accessible chase for installation and maintenance. Some field assembly may be required.

Model	Description
<input type="checkbox"/> WC7455	Chase-Mounted Floor Outlet Siphon Jet Stainless Steel Toilet
Required Selections (Must select one from each category)	
Supply (select one):	
<input type="checkbox"/> BACK Back Supply	<input type="checkbox"/> TOP Top Supply
Toilet Seat (select one):	
<input type="checkbox"/> ISEAT Integral Seat	<input type="checkbox"/> PSEAT Plastic Seat (White)
Finish (select one):	
<input type="checkbox"/> BB Bead Blast (Standard)	<input type="checkbox"/> PS Polished Stainless Steel
Wall Thickness (select one):	
<input type="checkbox"/> 0-4 0-4" Wall Thickness	<input type="checkbox"/> 4-8 4-8" Wall Thickness
<input type="checkbox"/> 8-12 8-12" Wall Thickness	
In Chase Flush Valve (select one):	
<input type="checkbox"/> LCCPFV Low Consumption Chrome Plated Mechanical Flush Valve	
<input type="checkbox"/> LCMFV Low Consumption Mechanical Flush Valve	
<input type="checkbox"/> LCHFV Low Consumption Hydraulic Flush Valve	
<input type="checkbox"/> LCTTFV* Low Consumption Touchtime® Electronic Flush Valve	
<input type="checkbox"/> NFV No Flush Valve	

Optional Selections

Thru Wall Flush Valve Inlet Connections:

- MMC** Male to Male Connection **MFC** Male to Female Connection

Water Closet Waste Outlet Accessories:

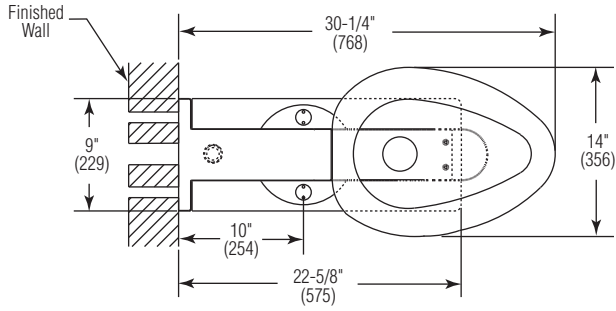
- GSKT** Neoprene Flange Gasket

Floodbuster (must be located in chase):

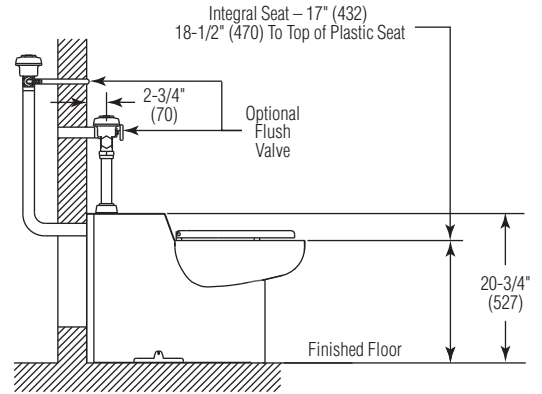
- FBM** Mechanical Floodbuster

* Touchtime® requires use of transformer (24VAC) available from Bradley. (See separate Technical Info)

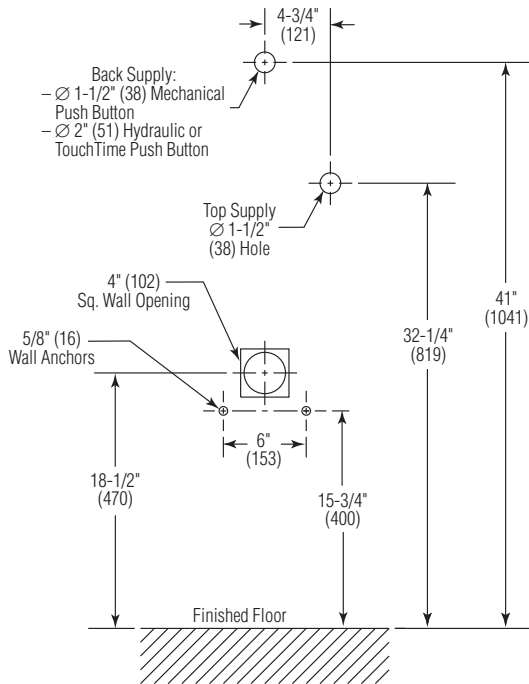
TOP VIEW



SIDE VIEW



ROUGH-IN VIEW



SLEEVE

