

Surface-mounted shelf:

- Model 755-XX (5" depth, specify length)
- Model 756-XX (6" depth, specify length)
- Model 758-XX (8" depth, specify length)

Product Materials

SHELF: 18 gauge stainless steel with exposed surfaces in architectural satin finish. End brackets are integral.

CENTER BRACKETS: (shelves over 24" length) 16 gauge stainless steel. Welded to shelf.

Installation

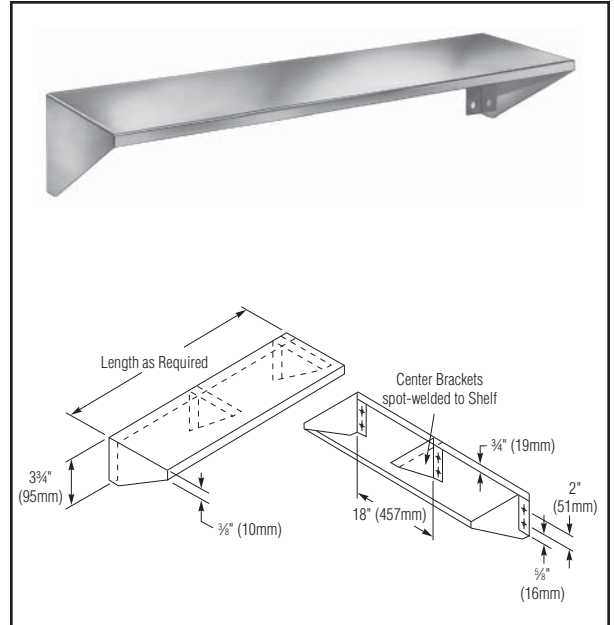
Verify all rough-in dimensions prior to installation. Secure to wall with mounting screws (included) at holes provided.

Length	No. of Center Brackets
6" to 24"	0
25" to 48"	1
49" to 72"	2
73" to 96"	3
97" to 112"	4

Guide Specification

Surface-mounted shelf shall be fabricated of 18 gauge stainless steel with exposed surfaces in satin finish and integral end brackets. Shelves over 24" long shall have 16 gauge intermediate support brackets of matching stainless steel.

Surface-Mounted Shelf shall be Bradley Model 755, 756, 758-_____ " (specify length).



Bradex® Models

Depth (Inches)	Length (Inches)	Overall Dimension (Inches)	Overall Dimensions (Millimeters)	Standard Model Number
5"	18"	5 x 18	127 x 457	755-18
8"	24"	5 x 18	203 x 610	758-24

**Washroom Accessories
Document No. 8765**

Orders composed of products indicated as **Bradex®** will be available to ship in three days after receipt of order at the factory. There is no pricing penalty for this service from Bradley.

This information is subject to change without formal notice.

Always consult local and national codes for proper installation guidelines.

Conformity and compliance to local and national codes is the responsibility of the installer.

11-10-2009

© 2009 Bradley Corporation
P.O. Box 309, Menomonee Falls, WI 53052-0309
Phone: 800.BRADLEY (800.272.3539) Fax: 262.253.4161
bradleycorp.com