

This is the most popular style of partitions. It is attached to the floor and stabilized at the top of the pilaster with anti-grip headrail. Floor-mounted overhead-braced material is recommended for heavy traffic or vandalism prone areas. It requires a minimum 3" concrete floor for anchoring.

Construction

Solid Phenolic core is composed of compressed cellulose fibers impregnated with resins. The surface laminate is fused to the resin-impregnated core. All edges are machined and finished smooth with a 15-degree beveled edge. Material will not delaminate even under extreme conditions. Materials are non-absorbent, impact and graffiti resistant. Materials are impervious to steam, soaps and detergents and will not mildew.

Panels

Panels are 1/2" thick, constructed from solid phenolic core.

Doors

Doors are 3/4" thick, constructed from solid phenolic core.

Pilasters

Pilasters are 3/4" thick, constructed from solid phenolic core. The floor edge of the pilaster shall be provided with a mechanically fastened 3/8" steel leveling bar. Pilasters are attached to the floor using a lead anchor, 3/8" threaded rod, hex nuts and washers to provide vertical and horizontal adjustment.

Hardware

Mills standard hardware is constructed from cast stainless steel with a satin brushed finish or stamped stainless steel (door hinge only). Components are provided with all hardware and stainless steel torx-head fasteners to complete an installation on applications with concrete floors and masonry block walls.

Door Hardware

Surface-mounted hinges are thru-bolted to the doors and pilasters. Surface-mounted slide latch with emergency egress requires no twisting motion and complies with all Federal ADA guidelines. Strike/keeper is thru-bolted. Doors 32" wide or less are provided with a combination coat hook/bumper. Doors 34" wide or 36" wide are provided with an individual coat hook, door bumper and door pulls. Theft-resistant fasteners are supplied with all hardware.

Brackets

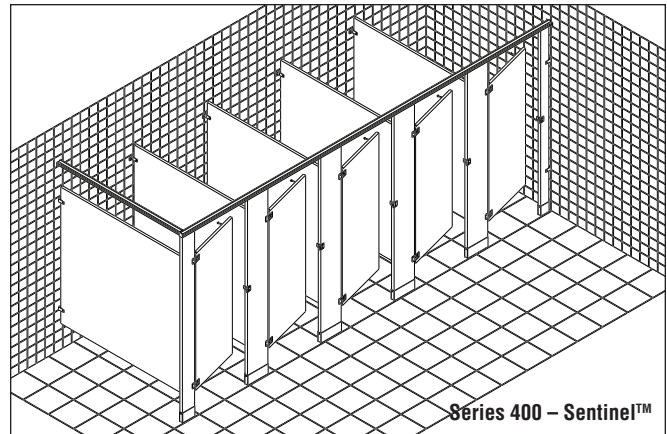
Stirrup-type, single-ear, double-ear and U-brackets are provided.

Headrail

Etched and anodized aluminum headrail is extruded with an anti-grip profile. It clamps over the pilaster and secures at the wall with stainless steel brackets.

Shoes

4-piece shoes are 4" high, 300 Series stainless steel with #4 satin brushed finish and are secured to the edge of the pilaster with torx-head fasteners.



Options

Colors

- | | | |
|--|--|---------------------------------------|
| <input type="checkbox"/> Acajou Mahogany | <input type="checkbox"/> Earth Wash | <input type="checkbox"/> Navy Grafix |
| <input type="checkbox"/> Almond | <input type="checkbox"/> Folk Stone | <input type="checkbox"/> Sand Crystal |
| <input type="checkbox"/> Amber Maple | <input type="checkbox"/> Indian Smoke | <input type="checkbox"/> Sienna Terra |
| <input type="checkbox"/> Autumn Indian Slate | <input type="checkbox"/> Labrador Granite | <input type="checkbox"/> Stone Grafix |
| <input type="checkbox"/> Black | <input type="checkbox"/> Madras Indian Slate | <input type="checkbox"/> White |
| <input type="checkbox"/> Cotta Stone | <input type="checkbox"/> Natural Canvas | <input type="checkbox"/> Wild Cherry |

Door Hardware

- Stainless Steel Surface-Mounted Slide Latch and Keeper (STD)
- Stainless Steel w/Antimicrobial (Surface-Mounted Hinge only)[†]

Hinges

- Stainless Steel Surface-Mounted Hinge (STD)
- Continuous Stainless Steel Spring-Loaded Hinge

Brackets

- Stainless Steel Stirrup Brackets (STD)
- Continuous Stainless Steel Brackets
- Continuous Aluminum Brackets

Miscellaneous

- Cutouts

[†] Antimicrobial Components: Door Pull and Latch

Verify all rough-in dimensions prior to installation.

Consult local and national codes. Conformity and compliance to local and national codes is the responsibility of the installer.

Sample Specification**Part 1 – General**

1.1 Summary

This section includes:

- A. Solid Phenolic Core toilet partitions, hardware and structural accessories.

1.2 Related Sections

- A. Section 10800 – Toilet and Bath Accessories

1.3 Submittals

- A. Shop Drawings: Layout of toilet partitions.
- B. Product Data: Manufacturer's catalog cuts of typical panel, pilaster, door, hardware and fastenings.
- C. Color Chips: Sample of specified laminate on actual phenolic core chip for color verification.

1.4 Quality Assurance

- A. Components of toilet partitions shall be sourced from one single-source manufacturer who certifies that materials meet or exceed specifications.
- B. Installation: Installer shall have a history of completed jobs of similar size and scope, and shall be qualified.

1.5 Delivery, Storage and Handling

- A. Pre-finished materials shall be delivered to the job site in original, unopened cartons or other packaging materials necessary to protect finishes. Materials shall be stored in manufacturer's packaging until installation. Partitions shall be stored in horizontal position with adequate support to ensure flatness and to prevent damage to pre-finished surfaces.

1.6 Project Conditions

- A. Building shall be enclosed and provide complete protection from outside weather. Temperature within building shall be above a minimum of 60°F.

1.7 Warranty

- A. Manufacturer shall provide a 3-year warranty against delamination of panels.
- B. Manufacturer shall provide a lifetime warranty for all stainless steel hardware.

Part 2 – Products

2.1 Manufacturer

- A. Provide products manufactured by The Mills Company, subsidiary of Bradley Corp., Menomonee Falls, WI.

2.2 Equipment

- A. Sentinel Floor-Mounted Overhead-Braced Series 400 toilet partition system.

2.3 Components

- A. Panels: ½" thick panels shall be constructed of solid phenolic core with a high-pressure decorative matte surface finish as an integral part of the core material. Panel edges shall be machined and finished smooth with a 15-degree beveled edge.
- B. Doors: ¾" thick doors shall be constructed from solid phenolic core with a high-pressure decorative matte surface finish as an integral part of the core material. Door edges shall be machined and finished smooth with a 15-degree beveled edge.
- C. Pilasters: ¾" thick pilasters shall be the same construction as panels and doors. The floor edge of the pilaster shall be provided with a mechanically fastened ¾" steel leveling bar. Pilasters shall be attached to the floor using a lead anchor and ¾" threaded rod, hex nuts and washers to provide vertical and horizontal adjustment.

- D. Headrail of etched and anodized aluminum shall be extruded with anti-grip profile clamps over pilasters and shall be secured to the wall with stainless steel brackets.
- E. 4" high, 4-piece shoes of 300 Series stainless steel shall be secured by torx-head fasteners.
- F. Hardware: Mills cast or stamped stainless steel with a satin brushed finish hardware and stainless steel torx-head fasteners necessary to complete an installation shall be provided.
 - 1. Hinges shall be surface-mounted and thru-bolted to the pilasters with gravity cams.
 - 2. Surface-mounted slide latch shall provide emergency egress, shall not require any twisting motion and shall be ADA compliant.
 - 3. Strike and keeper shall be thru-bolted.
 - 4. Coat hooks and wall bumpers shall be provided for inswing doors. Door pulls shall be added for outswing doors.
 - 5. Stirrup-type, single-ear, double-ear and U-brackets shall be provided at appropriate locations.
 - 6. Fasteners for hinges, slide latch and keeper shall be stainless steel with torx-heads.

Part 3 – Execution

3.1 Inspection

- A. Before installation, the installer shall inspect the site to ensure that no defects or conditions exist which would result in an unsatisfactory installation of the partitions. Measurements should also be taken at this time to further ensure correct installation.

3.2 Installation

- A. Install partitions, screens, dressing compartments and enclosures in accordance with shop drawings and manufacturer's current installation instructions. Leave partitions complete, clean and free from defects in workmanship.
- B. Doors and hardware shall be thoroughly adjusted and left in proper working condition. Set doors in open or closed position as required.
- C. Outswing doors of more than 105° must have a wall or panel to stop door travel. (Note: Failure to follow manufacturer's recommended installation procedures voids warranty.)

3.3 Cleaning

- A. All rubbish and cartons generated by installing contractor shall be removed and area left broom clean.

Verify all rough-in dimensions prior to installation.

Consult local and national codes. Conformity and compliance to local and national codes is the responsibility of the installer.