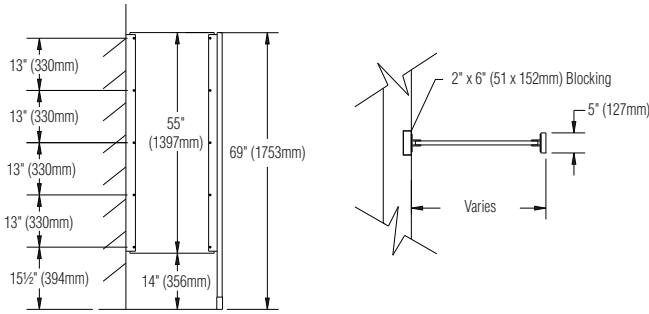
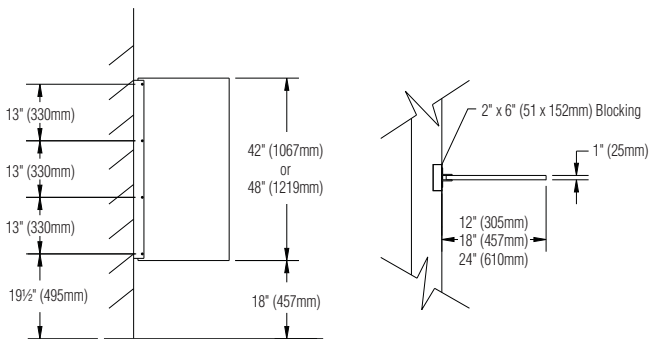


Model #3 – Floor Braced



Generally recommended for Sight Screen application. Screen has floor mounting and requires minimum 3" concrete floor for anchoring. This model can also be modified to become a floor-to-ceiling mounted by changing the mounting pilaster.

Model #4 – Wall-Hung



Most common Urinal Screen application.

Construction

Sight and Urinal Screens are constructed from 1" thick High Density Polyethylene (HDPE) resins pressed under high pressure to form a single component. This material is waterproof, non-absorbent and has a self-lubricating surface which resists marks from graffiti. All plastic components are shipped with a self-adhesive coating for protection during installation. Bradmar® is available in 21 standard colors.

Sight Screens

Sight Screens are fabricated 55" high, all edges are rounded to a 3/16" radius. Sight Screens receive an aluminum heat sink strip fastened to the bottom edge which helps dissipate any applied heat. Sight Screens are attached with a continuous aluminum bracket at the wall and at the pilaster. Plastic brackets available for select colors (*). Also available with floor-braced, floor-mounted overhead braced, and floor-to-ceiling pilasters.

Urinal Screens

Wall-Hung Urinal Screens are fabricated 42" or 48" high, all edges are rounded to a 3/16" radius. They are attached to the wall with a continuous aluminum bracket. Plastic brackets available for select colors (*). Also available with floor-braced, floor-mounted overhead-braced, and floor-to-ceiling pilasters.

Hardware

Mills standard hardware is constructed from 6463-T-5 heavy-duty aluminum. Screens are provided with all hardware and stainless steel torx head with pin fasteners to complete installation for applications with concrete floors and masonry block walls.

Options

Partition Colors

- | | |
|--|--|
| <input type="checkbox"/> Beige | <input type="checkbox"/> Linen* |
| <input type="checkbox"/> Black* | <input type="checkbox"/> Moss |
| <input type="checkbox"/> Bronze* | <input type="checkbox"/> Plum* |
| <input type="checkbox"/> Burgundy | <input type="checkbox"/> Sky Blue* |
| <input type="checkbox"/> Buttermilk | <input type="checkbox"/> Spice* |
| <input type="checkbox"/> Canyon Granite* | <input type="checkbox"/> Starry Night |
| <input type="checkbox"/> Charcoal Gray | <input type="checkbox"/> Toffee |
| <input type="checkbox"/> Deep Blue | <input type="checkbox"/> 100% Post-Consumer Beige** |
| <input type="checkbox"/> Desert Stone | <input type="checkbox"/> 100% Post-Consumer Charcoal** |
| <input type="checkbox"/> Dove Stone | <input type="checkbox"/> 100% Post-Consumer Moss** |
| <input type="checkbox"/> Gray | <input type="checkbox"/> 100% Post-Consumer Toffee** |
| <input type="checkbox"/> Hunter* | <input type="checkbox"/> 100% Post-Industrial Black* |

Wall Brackets

- | | |
|--|---|
| <input type="checkbox"/> Continuous – Aluminum (STD) | <input type="checkbox"/> Continuous – Stainless Steel |
| <input type="checkbox"/> Stirrup-Style – Aluminum | <input type="checkbox"/> Continuous – Plastic |

* Plastic brackets and shoes available for select colors.

** 100% Post-Consumer HDPE may have some minor flaws and the color may be inconsistent.

Verify all rough-in dimensions prior to installation.

Consult local and national codes. Conformity and compliance to local and national codes is the responsibility of the installer.

Sample Specification**Part 1 – General**

1.1 Summary

This section includes:

- A. Solid plastic toilet partitions consisting of partitions, urinal screens, shower stalls and dressing compartments.

1.2 Related Sections

- A. Section 10800: Toilet and Bath Accessories

1.3 Submittals

- A. Shop Drawings: Layout of toilet partitions.
- B. Product Data: Manufacturer's catalog cuts of typical panel, pilaster, door, hardware and fastenings.
- C. Color Chips: Manufacturer's complete range of standard colors for Bradmar Solid Plastic.
- D. Verification Samples: Sample of actual specified plastic chip for color and texture verification.

1.4 Quality Assurance

- A. Components of toilet partitions shall be sourced from one single-source manufacturer who certifies that materials meet or exceed specifications.
- B. Installation: Installer shall have a history of completed jobs of similar size and scope and shall be qualified.

1.5 Delivery, Storage and Handling

- A. Pre-finished materials shall be delivered to the job site in original, unopened cartons or other packaging materials necessary to protect structure and finishes. Materials shall be stored in manufacturer's packaging until installation. Partitions shall be stored in horizontal position with adequate support to ensure flatness and to prevent damage to pre-finished surfaces.

1.6 Project Conditions

- A. Building shall be enclosed and provide complete protection from outside weather. Temperature within building shall be above a minimum of 60°F and below 100°F.

1.7 Warranty

- A. Manufacturer shall provide a 15-year warranty against corrosion, breakage and delamination of plastic material under normal conditions.

Part 2 – Products

2.1 Manufacturer

- A. Provide products manufactured by The Mills Company, subsidiary of Bradley Corp., Menomonee Falls, WI.

2.2 Equipment

- A. Sight and Urinal Screens.

2.3 Components

- A. Sight Screens, Urinal Screens and Pilasters: Shall be constructed from High Density Polyethylene (HPDE) resins, pressed under high pressure, forming a single component. The material shall be waterproof, non-absorbent and have a self-lubricating surface that resists marks from graffiti. All plastic components shall be covered with a protective self-adhesive coating.
 - 1. Sight Screens, Urinal Screens and pilaster shall be 1" thick and have edges rounded to a 3/16" radius.
 - 2. Sight Screens shall be 55" high and mounted at 14" above the finished floor. An aluminum heat sink strip shall be fastened to the bottom edge of screen.
 - 3. Pilasters shall be 69" high and shall be secured to the floor using a 3" high, one-piece, type 304 stainless steel shoe with a #4 satin brushed finish.
 - 4. Urinal screens shall be 42" or 48" high and mounted at 18" above the finished floor.
- B. Hardware: Mills heavy-duty aluminum hardware and stainless steel fasteners necessary to complete an installation shall be provided.
 - 1. Continuous brackets shall be 54" long and shall be fabricated from heavy-duty aluminum (6463-T-5 alloy). Single- or double-ear brackets shall be provided at appropriate locations.
 - 2. All fasteners shall be stainless steel torx head with pin.

Part 3 – Execution

3.1 Inspection

- A. Before installation, the installer shall inspect the site to ensure that no defects or conditions exist which would result in an unsatisfactory installation of the partitions. Measurements should also be taken at this time to further ensure correct installation.

3.2 Installation

- A. Install sight and urinal screens in accordance with shop drawings and manufacturer's current installation instructions. Leave compartments complete, clean and free from defects in workmanship.

3.3 Cleaning

- A. All rubbish and cartons generated by installer shall be removed and the area left broom clean.

Verify all rough-in dimensions prior to installation.

Consult local and national codes. Conformity and compliance to local and national codes is the responsibility of the installer.