

- Tough, attractive, solid plastic never needs painting; resists dents and scratches
- Impervious to moisture — lockers will not rust or delaminate
- Durable, vandal resistant all-welded construction
- Wide range of sizes, tiers, colors and options
- ADA compliant handle operation
- 20-year warranty against rust, delamination or breakage under normal use*
- Lockers ship fully assembled
- US Patent Numbers: 6,685,285 – 6,792,661 – 6,793,299 – 7,029,078 – 7,223,317 – 7,278,695 – 7,510,249
- Other Patents Pending

Construction - Standard Features

Sizes

Standard Sizes:	12", 15", 18"	Wide
	12", 15", 18"	Deep
Nominal	24", 36", 48", 60", 72"	Tall
	Tiers	See Table

Tiers	Actual Locker Height				
	24 ¹ / ₁₆ "	36 ¹ / ₂ "	48 ¹ / ₃₂ "	60"	72"
1	X	X	X	X	X
2	X	X	X	X	X
3		X	X	X	X
4			X	X	X
5				X	X
6					X

Doors and Frames

Constructed of 1/2" thick High Density Polyethylene (HDPE) with homogeneous color and a matte finish texture. Dirt or graffiti are easily removed with standard industrial cleaners. Frames are welded to locker box to provide a secure, rigid assembly. Doors have ventilation slots.

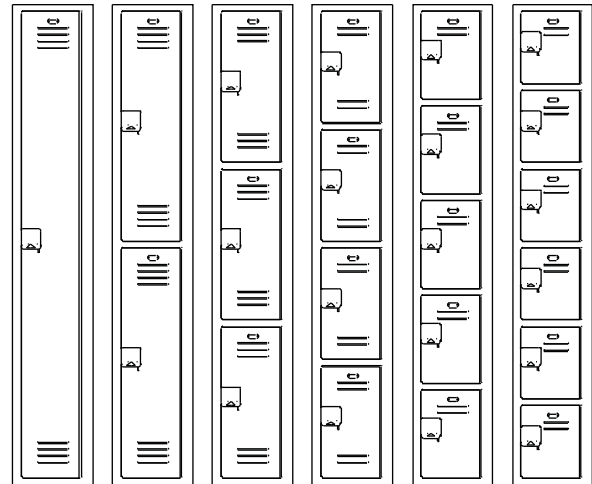
Sides, Tops, Bottoms, Dividers and Shelves

Constructed of 3/8" thick white HDPE with a smooth finish. Sides and back of box are formed from a single sheet of HDPE with fused corners. Top, bottom and dividers are welded to frame without metal fasteners or dovetail joints. Shelves, provided in one-tier lockers only, are slid into corresponding grooves in sides and back. Shelves are located 12" from locker top. Gussets, standard in one-tier lockers only, provide added support for the box.

Latch Bar

Full-length latch bar is constructed of 1/2" thick High Density Polyethylene (HDPE) with a matte finish texture. Runs entire length of door, providing a continuous security latching system. Latch lifts up to open and returns to closed position after door is closed. Latch bar is secured to locker door with stainless steel security torx-head shoulder screws.

* Normal use further defined as lockers installed in a climate-controlled environment, away from direct sunlight.



Hinge

Heavy-duty, full-length piano hinge is constructed of 16 gauge, type 304 stainless steel. Hinge wraps around edges of the door and the frame and is secured with stainless steel security torx-head screws. Hinge is powder coated to match locker color and is field replaceable.

Handle

Constructed of injection molded plastic. Ergonomically designed handle is ADA compliant — operates with less than 5 lbs. of force. Handle is secured through latch bar to door with stainless steel security torx-head screws.

Hasp

Constructed of 12 gauge stainless steel. Accepts standard padlocks with 3/32" diameter (nominal). (Long shackle padlocks should not be used.) Secured to door behind latch bar with stainless steel screws.

Coat Hook

Double hook constructed of black polycarbonate. Furnished in 36", 48", 60" and 72" one-tier and 60" and 72" two-tier lockers only. Hook hangs centered under shelves in one-tier and under locker top in two-tier lockers. Secured to shelves and tops with stainless steel screws.

Wood bases are not recommended.

Construction - Optional Features

Slope Top – Model LENOXSLOPETOP

Constructed of a 1" thick HDPE backplate (color may vary) and a ½" thick colored HDPE slope top panel. Provides a finished look and prevents accumulation of dust and storage of items on top of lockers. Back plate secures to wall first, then panel is secured through the locker top from the inside — no exposed fasteners. Standard slope is 10°. Available in single locker size or in 24", 30", 36", 45" and 72" lengths. All necessary hardware included.

Flat Top – Model LENOXFLATTOP

Constructed of ½" thick HDPE with homogeneous color and a matte finish texture. Provides a finished look on top of lockers. Available in single locker size or in 24", 30", 36", 45", 54" and 72" lengths. Hardware not included.

Base – Model LENOXBASE

Constructed of 1" thick HDPE with homogeneous color and a matte finish texture. Base is 3" tall and set back 3" from locker front to provide toe clearance. Notched end caps provide ease of installation. Installation hardware, including screws, anchors, L-brackets and mending plates are included.

Number Plates

Constructed of black aluminum with silver numbers. Number plates are secured with grooved rivets into a recessed pocket cut into the door. Plates must be fastened to lockers on the job by installer.

End Panels – Model LENOXENDPANEL

Constructed of ¾" thick HDPE with homogeneous color and a matte finish texture. End panels cover white locker sides on exposed ends and are available in flat or slope top styles and in single or double (back-to-back) configurations. All necessary hardware included.

Mesh Doors

Standard locker doors are machined with cross-hatch pattern to provide ventilation for locker contents.

Built-In Key Lock

Standard hasp is replaced with Master Lock key lock. All locks are master keyed and include two user keys for each lock. Key can only be removed from lock in locked position. Master keys ordered separately.

Built-In Combination Lock

Standard hasp is replaced with Master Lock combination lock. All locks are keyed to one master key (included) and come pre-programmed with 5 separate combinations. Master keys ordered separately.

Card Lock

Standard hasp is replaced with Safe-O-Mat card lock located inside the locker door. User inserts card to secure locker with key. When locker door is opened with key, card is released. Number tags for keys are not included. Master keys, extra cylinders, identification cards, and card punch ordered separately.

Coin Return Lock

Standard hasp is replaced with Safe-O-Mat coin lock located inside the locker door. Locks are available in \$0.25 or token denominations. User inserts coin to secure locker with key. When locker door is opened with key, coin is returned. Number tags for keys are not included. Tokens, master keys and extra cylinders ordered separately.

Coin Retain Lock

Standard hasp is replaced with Safe-O-Mat model coin lock located inside the locker door. Locks are available in \$0.25, \$0.50, one token or two token denominations. User inserts coin to secure locker with key. When locker door is opened with key, coin is retained in collection box secured with a master key. Number tags for keys are not included. Tokens, master keys and extra cylinders ordered separately.

Keypad Lock

Standard hasp is replaced with a Safe-O-Mat model keypad lock located on the front of the locker door. User enters PIN on keypad and turns bolt knob to locked position to secure locker. Same PIN is entered to open locker.

Combination Padlock

Master Lock #1525 combination padlock fits into standard hasp. Double reinforced construction with stainless steel outer case and cold-rolled steel inner case adds strength and durability. Nickel-plated hardened steel shackle resists rust.

Pocket Lock

Standard Hasp is replaced with a pocket lock located on the front of the locker door. Any locker not in use can be claimed and secured by simply "docking" in the portable locking device. Entirely self-contained, with lock cylinder and key housed within a hinged "pocket." Master keys ordered separately.

Wall Hooks

Constructed of black powder-coated cast zinc. 1–3 hooks can be secured to each tier with this option. (Please specify location.)

Coat Rod

Constructed of schedule 40 PVC-1120. Rod is mounted with plastic pole sockets and stainless steel screws.

Fillers - Model LENOXFILLER

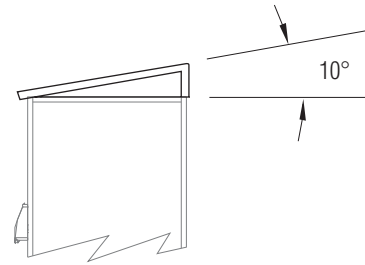
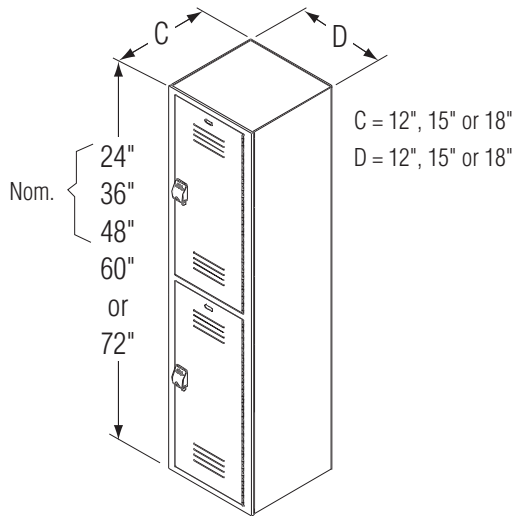
Constructed of ½" thick HDPE secured to ¾" thick HDPE angle bracket. Filler is attached through the inside of an end or corner locker to fill gaps between lockers and a wall or another locker in a corner. Available in colors to match lockers 60" or 72" tall, 6", 12", 15" and 18" wide. All necessary hardware included.

Logos

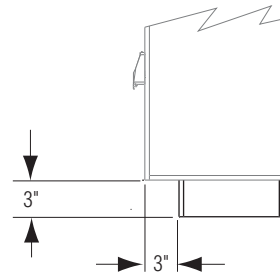
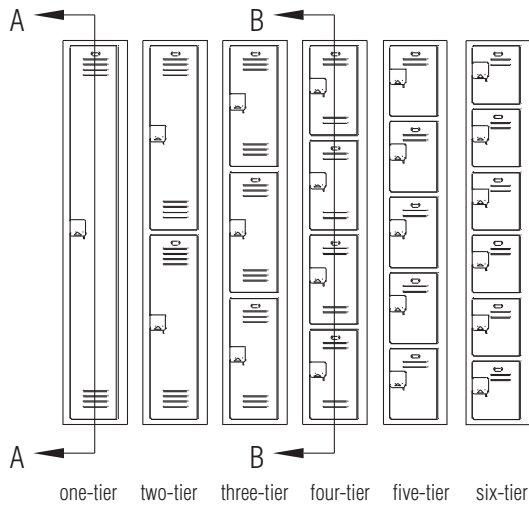
Handicap or a custom logo is machined into the locker door. Artwork for logos must be provided to Bradley. Handicap logo available in standard hasp only.

Drain Holes

Slots are placed in the bottom of the locker (one-tier only) for drainage of water after hose down. (Slots will be evenly spaced in center unless specified otherwise.)



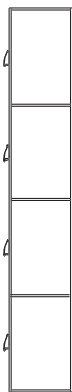
Optional Slope Top



Optional Base



Section A-A



Section B-B



LENOXLOCKER

Lenox Locker - Solid Plastic

Model	Description
<input type="checkbox"/> LENOXLOCKER	Solid Plastic Locker

Required Selections (Must select one from each category)

Locker Width (select one):

<input type="checkbox"/> 12-WIDTH	12" Wide Locker
<input type="checkbox"/> 15-WIDTH	15" Wide Locker
<input type="checkbox"/> 18-WIDTH	18" Wide Locker

Locker Depth (select one):

<input type="checkbox"/> 12-DEPTH	12" Deep Locker
<input type="checkbox"/> 15-DEPTH	15" Deep Locker
<input type="checkbox"/> 18-DEPTH	18" Deep Locker

Locker Height (select one):

<input type="checkbox"/> 24-HGT	24" High Locker (Nom. Height)
<input type="checkbox"/> 36-HGT	36" High Locker (Nom. Height)
<input type="checkbox"/> 48-HGT	48" High Locker (Nom. Height)
<input type="checkbox"/> 60-HGT	60" High Locker
<input type="checkbox"/> 72-HGT	72" High Locker

Locker Tiers (select one):

<input type="checkbox"/> 1TIER	One-Tier Locker
<input type="checkbox"/> 2TIER	Two-Tier Locker
<input type="checkbox"/> 3TIER	Three-Tier Locker
<input type="checkbox"/> 4TIER	Four-Tier Locker
<input type="checkbox"/> 5TIER	Five-Tier Locker
<input type="checkbox"/> 6TIER	Six-Tier Locker

Note: See Chart on Page 1 for availability.

Locker Color (select one):

<input type="checkbox"/> Beige	<input type="checkbox"/> Sky Blue
<input type="checkbox"/> Black	<input type="checkbox"/> Spice
<input type="checkbox"/> Bronze	<input type="checkbox"/> Starry Night
<input type="checkbox"/> Burgundy	<input type="checkbox"/> Teal
<input type="checkbox"/> Buttermilk	<input type="checkbox"/> Toffee
<input type="checkbox"/> Canyon Granite	<input type="checkbox"/> White
<input type="checkbox"/> Charcoal Gray	<input type="checkbox"/> Blue/White/Blue
<input type="checkbox"/> Deep Blue	<input type="checkbox"/> Brown/White/Brown
<input type="checkbox"/> Desert Stone	<input type="checkbox"/> Green/Beige/Green
<input type="checkbox"/> Dove Stone	<input type="checkbox"/> Red/White/Red
<input type="checkbox"/> Gray	<input type="checkbox"/> 100% Post-Consumer Beige**
<input type="checkbox"/> Hunter	<input type="checkbox"/> 100% Post-Consumer Charcoal Gray**
<input type="checkbox"/> Linen	<input type="checkbox"/> 100% Post-Consumer Moss**
<input type="checkbox"/> Moss	<input type="checkbox"/> 100% Post-Consumer Toffee**
<input type="checkbox"/> Plum	<input type="checkbox"/> 100% Post-Industrial Black
<input type="checkbox"/> Red	

Locker Door (select one):

<input type="checkbox"/> Std-Door	Standard Door — Louvered Vented
<input type="checkbox"/> Mesh-Door	Vented Mesh Door

Optional Selections

Locker Lock Type:

<input type="checkbox"/> STD-HASP-LOCK	Standard Hasp Lock
<input type="checkbox"/> KEY-LOCK	Built-in Key Lock
<input type="checkbox"/> COMBINATION	Built-in Combination Lock
<input type="checkbox"/> CARD-LOCK	Card Operated Lock
<input type="checkbox"/> COIN-LOCK	Coin Operated Lock
<input type="checkbox"/> 25-COLLECT	\$0.25 Coin Collect Lock
<input type="checkbox"/> 50-COLLECT	\$0.50 Coin Collect Lock
<input type="checkbox"/> TOKEN-COLLECT	Token Collect Lock
<input type="checkbox"/> 2-TOKEN-COLLECT	2 Token Collect Lock
<input type="checkbox"/> 25-RETURN	\$0.25 Coin Return Lock
<input type="checkbox"/> TOKEN-RETURN	Token Return Lock
<input type="checkbox"/> KEYPAD-LOCK	Safe-O-Pin Keypad Lock
<input type="checkbox"/> POCKET-LOCK	Lowe & Fletcher Pocket Lock
<input type="checkbox"/> PADLOCK	Combination Padlock

Locker Number Plates:

<input type="checkbox"/> NUMBERS	Number Plates List Sequence _____
----------------------------------	--------------------------------------

Locker Logos:

<input type="checkbox"/> LOGOS	Custom Logo Description _____
<input type="checkbox"/> HANDICAP-LOGO	Handicap Logo

Locker Wall Hooks:

<input type="checkbox"/> WALL-HOOK	1 – 3 Wall Hook per Tier Specify Location(s) _____
------------------------------------	---

Locker Coat Rod:

<input type="checkbox"/> COAT ROD	Optional Coat Rod
-----------------------------------	-------------------

** 100% Post-Consumer HDPE may have some minor flaws and the color may be inconsistent.

Model	Description
<input type="checkbox"/> LENOXSLOPETOP	Optional Slope Top

Model	Description
<input type="checkbox"/> LENOXBASE	Optional Base

Optional Selections	
Slope Top Length (select one):	
<input type="checkbox"/> 12"	<input type="checkbox"/> 24" <input type="checkbox"/> 45"
<input type="checkbox"/> 15"	<input type="checkbox"/> 30" <input type="checkbox"/> 54"
<input type="checkbox"/> 18"	<input type="checkbox"/> 36" <input type="checkbox"/> 72"
Locker Depth (select one):	
<input type="checkbox"/> 12-DEPTH	12" Deep Slope Top
<input type="checkbox"/> 15-DEPTH	15" Deep Slope Top
<input type="checkbox"/> 18-DEPTH	18" Deep Slope Top
Slope Top Color (select one):	
<input type="checkbox"/> Beige	<input type="checkbox"/> Sky Blue
<input type="checkbox"/> Black	<input type="checkbox"/> Spice
<input type="checkbox"/> Bronze	<input type="checkbox"/> Starry Night
<input type="checkbox"/> Burgundy	<input type="checkbox"/> Teal
<input type="checkbox"/> Buttermilk	<input type="checkbox"/> Toffee
<input type="checkbox"/> Canyon Granite	<input type="checkbox"/> White
<input type="checkbox"/> Charcoal Gray	<input type="checkbox"/> Blue/White/Blue
<input type="checkbox"/> Deep Blue	<input type="checkbox"/> Brown/White/Brown
<input type="checkbox"/> Desert Stone	<input type="checkbox"/> Green/Beige/Green
<input type="checkbox"/> Dove Stone	<input type="checkbox"/> Red/White/Red
<input type="checkbox"/> Gray	<input type="checkbox"/> 100% Post-Consumer Beige**
<input type="checkbox"/> Hunter	<input type="checkbox"/> 100% Post-Consumer Charcoal Gray**
<input type="checkbox"/> Linen	<input type="checkbox"/> 100% Post-Consumer Moss**
<input type="checkbox"/> Moss	<input type="checkbox"/> 100% Post-Consumer Toffee**
<input type="checkbox"/> Plum	<input type="checkbox"/> 100% Post-Industrial Black
<input type="checkbox"/> Red	
Locker Top Type (select one):	
<input type="checkbox"/> CONT-SLOPE	Optional Continuous Slope Top
<input type="checkbox"/> INDIV-SLOPE	Optional Individual Slope Top
Pre-Cut Corner Slope Top:	
<input type="checkbox"/> CORNER	36" x 36" x Locker Depth

Optional Selections	
Base Length (select one):	
<input type="checkbox"/> 12"	<input type="checkbox"/> 24" <input type="checkbox"/> 45"
<input type="checkbox"/> 15"	<input type="checkbox"/> 30" <input type="checkbox"/> 54"
<input type="checkbox"/> 18"	<input type="checkbox"/> 36" <input type="checkbox"/> 72"
Base Height (select one):	
<input type="checkbox"/> 3"	3" High Base (standard)
<input type="checkbox"/> 4"	4" High Base (custom)
Locker Depth (select one):	
<input type="checkbox"/> 12-DEPTH	12" Deep Base
<input type="checkbox"/> 15-DEPTH	15" Deep Base
<input type="checkbox"/> 18-DEPTH	18" Deep Base
Base Color (select one):	
<input type="checkbox"/> Black	<input type="checkbox"/> Special Color Red, Teal, White N/A

** 100% Post-Consumer HDPE may have some minor flaws and the color may be inconsistent.

Model	Description
<input type="checkbox"/> LENOXENDPANEL	Optional End Panel

Model	Description
<input type="checkbox"/> LENOXFLATTOP	Optional Top Panel

Optional Selections	
End Panel Color (select one):	
<input type="checkbox"/> Beige	<input type="checkbox"/> Sky Blue
<input type="checkbox"/> Black	<input type="checkbox"/> Spice
<input type="checkbox"/> Bronze	<input type="checkbox"/> Starry Night
<input type="checkbox"/> Burgundy	<input type="checkbox"/> Teal
<input type="checkbox"/> Buttermilk	<input type="checkbox"/> Toffee
<input type="checkbox"/> Canyon Granite	<input type="checkbox"/> White
<input type="checkbox"/> Charcoal Gray	<input type="checkbox"/> Blue/White/Blue
<input type="checkbox"/> Deep Blue	<input type="checkbox"/> Brown/White/Brown
<input type="checkbox"/> Desert Stone	<input type="checkbox"/> Green/Beige/Green
<input type="checkbox"/> Dove Stone	<input type="checkbox"/> Red/White/Red
<input type="checkbox"/> Gray	<input type="checkbox"/> 100% Post-Consumer Beige**
<input type="checkbox"/> Hunter	<input type="checkbox"/> 100% Post-Consumer Charcoal Gray**
<input type="checkbox"/> Linen	<input type="checkbox"/> 100% Post-Consumer Moss**
<input type="checkbox"/> Moss	<input type="checkbox"/> 100% Post-Consumer Toffee**
<input type="checkbox"/> Plum	<input type="checkbox"/> 100% Post-Industrial Black
<input type="checkbox"/> Red	
Locker End Type (select one):	
<input type="checkbox"/> SINGLE-ENDPANEL	Single Type End Panel
<input type="checkbox"/> DOUBLE-ENDPANEL	Double (Island) End Panel for Back-To-Back Lockers
Locker Height (select one):	
<input type="checkbox"/> 24-HGT	24" High End Panel (Nom. Height)
<input type="checkbox"/> 36-HGT	36" High End Panel (Nom. Height)
<input type="checkbox"/> 48-HGT	48" High End Panel (Nom. Height)
<input type="checkbox"/> 60-HGT	60" High End Panel
<input type="checkbox"/> 72-HGT	72" High End Panel
Locker Depth (select one):	
<input type="checkbox"/> 12-DEPTH	12" Deep End Panel (Nom. Height)
<input type="checkbox"/> 15-DEPTH	15" Deep End Panel
<input type="checkbox"/> 18-DEPTH	18" Deep End Panel
Locker Top Type:	
<input type="checkbox"/> SLOPE-TOP	Optional - Select if End Panel is for lockers w/ Slope Top

Optional Selections	
Top Panel Color (select one):	
<input type="checkbox"/> Beige	<input type="checkbox"/> Sky Blue
<input type="checkbox"/> Black	<input type="checkbox"/> Spice
<input type="checkbox"/> Bronze	<input type="checkbox"/> Starry Night
<input type="checkbox"/> Burgundy	<input type="checkbox"/> Teal
<input type="checkbox"/> Buttermilk	<input type="checkbox"/> Toffee
<input type="checkbox"/> Canyon Granite	<input type="checkbox"/> White
<input type="checkbox"/> Charcoal Gray	<input type="checkbox"/> Blue/White/Blue
<input type="checkbox"/> Deep Blue	<input type="checkbox"/> Brown/White/Brown
<input type="checkbox"/> Desert Stone	<input type="checkbox"/> Green/Beige/Green
<input type="checkbox"/> Dove Stone	<input type="checkbox"/> Red/White/Red
<input type="checkbox"/> Gray	<input type="checkbox"/> 100% Post-Consumer Beige**
<input type="checkbox"/> Hunter	<input type="checkbox"/> 100% Post-Consumer Charcoal Gray**
<input type="checkbox"/> Linen	<input type="checkbox"/> 100% Post-Consumer Moss**
<input type="checkbox"/> Moss	<input type="checkbox"/> 100% Post-Consumer Toffee**
<input type="checkbox"/> Plum	<input type="checkbox"/> 100% Post-Industrial Black
<input type="checkbox"/> Red	
Panel Length (select one):	
<input type="checkbox"/> 12-LENGTH	12" Long Flat Top
<input type="checkbox"/> 15-LENGTH	15" Long Flat Top
<input type="checkbox"/> 18-LENGTH	18" Long Flat Top
<input type="checkbox"/> 24-LENGTH	24" Long Flat Top
<input type="checkbox"/> 30-LENGTH	30" Long Flat Top
<input type="checkbox"/> 36-LENGTH	36" Long Flat Top
<input type="checkbox"/> 45-LENGTH	45" Long Flat Top
<input type="checkbox"/> 54-LENGTH	54" Long Flat Top
<input type="checkbox"/> 72-LENGTH	72" Long Flat Top
Panel Width (select one):	
<input type="checkbox"/> 12-WIDTH	12" Wide Flat Top
<input type="checkbox"/> 15-WIDTH	15" Wide Flat Top
<input type="checkbox"/> 18-WIDTH	18" Wide Flat Top
Panel Thickness:	
<input type="checkbox"/> 1/2-THICK	1/2" Thick Flat Top

** 100% Post-Consumer HDPE may have some minor flaws and the color may be inconsistent.

Model	Description
<input type="checkbox"/> LENOXFILLER	Optional Filler

Optional Selections	
Locker Height (select one):	
<input type="checkbox"/> 24-HGT	24" High Filler (Nom. Height)
<input type="checkbox"/> 36-HGT	36" High Filler (Nom. Height)
<input type="checkbox"/> 48-HGT	48" High Filler (Nom. Height)
<input type="checkbox"/> 60-HGT	60" High Filler
<input type="checkbox"/> 72-HGT	72" High Filler
Filler Width (select one):	
<input type="checkbox"/> 3-WIDTH	3" Wide Filler
<input type="checkbox"/> 6-WIDTH	6" Wide Filler
<input type="checkbox"/> 12-WIDTH	12" Wide Filler
<input type="checkbox"/> 15-WIDTH	15" Wide Filler
<input type="checkbox"/> 18-WIDTH	18" Wide Filler
Filler Color (select one):	
<input type="checkbox"/> Beige	<input type="checkbox"/> Sky Blue
<input type="checkbox"/> Black	<input type="checkbox"/> Spice
<input type="checkbox"/> Bronze	<input type="checkbox"/> Starry Night
<input type="checkbox"/> Burgundy	<input type="checkbox"/> Teal
<input type="checkbox"/> Buttermilk	<input type="checkbox"/> Toffee
<input type="checkbox"/> Canyon Granite	<input type="checkbox"/> White
<input type="checkbox"/> Charcoal Gray	<input type="checkbox"/> Blue/White/Blue
<input type="checkbox"/> Deep Blue	<input type="checkbox"/> Brown/White/Brown
<input type="checkbox"/> Desert Stone	<input type="checkbox"/> Green/Beige/Green
<input type="checkbox"/> Dove Stone	<input type="checkbox"/> Red/White/Red
<input type="checkbox"/> Gray	<input type="checkbox"/> 100% Post-Consumer Beige**
<input type="checkbox"/> Hunter	<input type="checkbox"/> 100% Post-Consumer Charcoal Gray**
<input type="checkbox"/> Linen	<input type="checkbox"/> 100% Post-Consumer Moss**
<input type="checkbox"/> Moss	<input type="checkbox"/> 100% Post-Consumer Toffee**
<input type="checkbox"/> Plum	<input type="checkbox"/> 100% Post-Industrial Black
<input type="checkbox"/> Red	

** 100% Post-Consumer HDPE may have some minor flaws and the color may be inconsistent.